

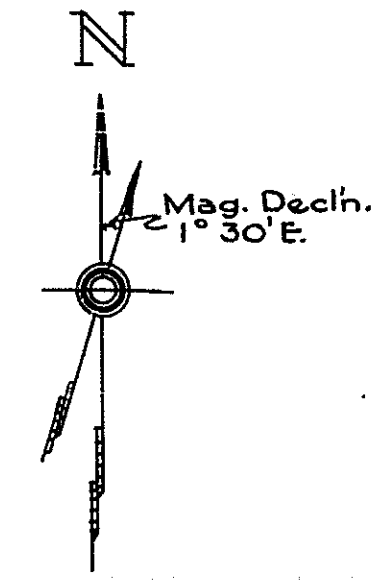
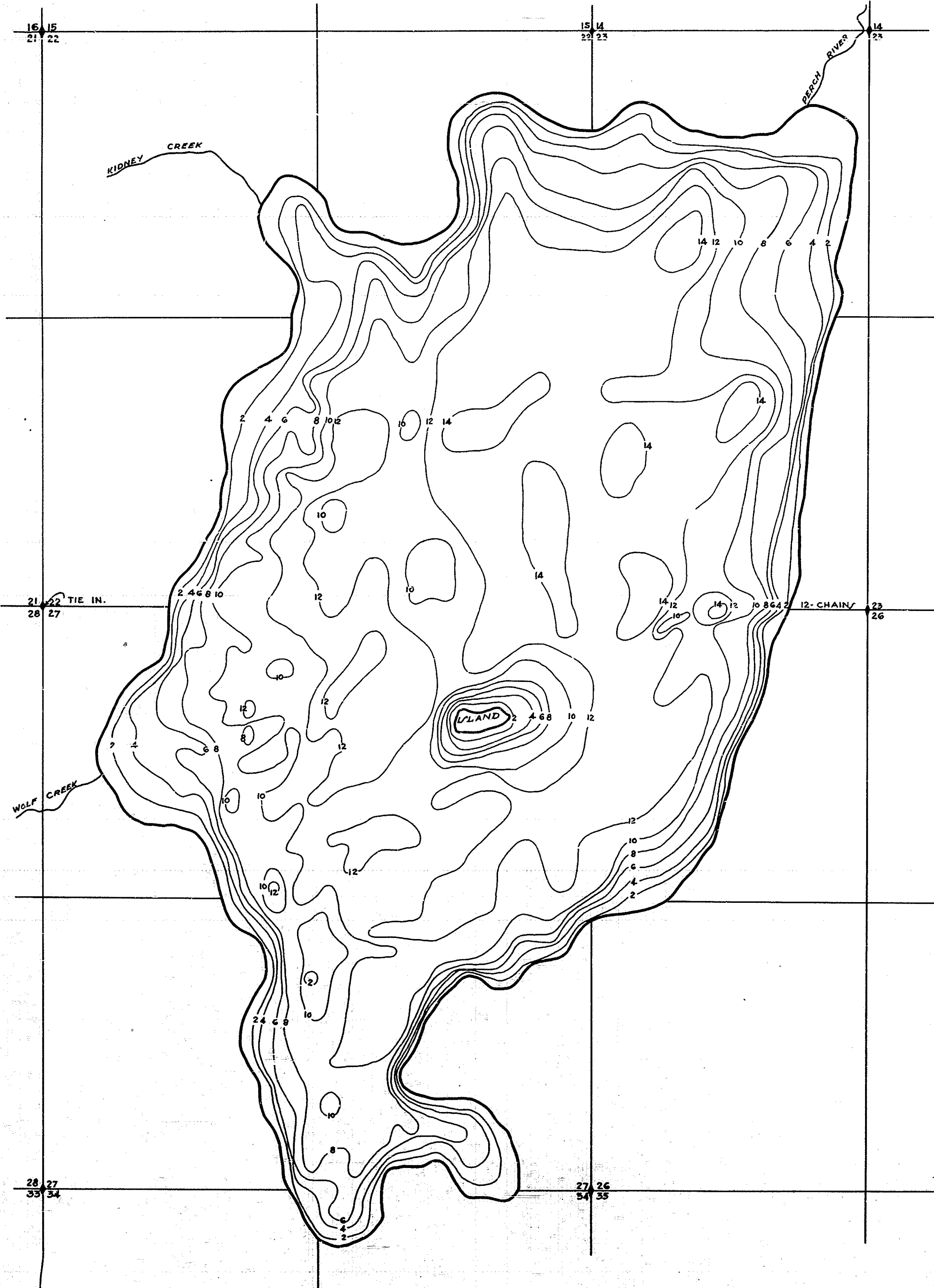
J-11-22

R-9
U.S. Department of Agriculture
Forest Service
LAKE AND STREAM SURVEY
PERCH LAKE
Ottawa National Forest
Michigan

Sheet No. 1 of 3

Location: Secs. 22, 23, 26, 27, 34 - T. 46N. R. 35W.
Scale: 8" = 1 Mile

Area: 994
Length of Shoreline: 6.5 Miles



Contour Map
Contour Interval 2'

J-11-22
PERCH LAKE, IRON COUNTY

U-11-23

R-9
U.S. Department of Agriculture
Forest Service
LAKE AND STREAM SURVEY
PERCH LAKE
Ottawa National Forest
Michigan

Sheet No. 2 of 3

Location: Secs. 22, 23, 26, 27, 34 - T.46 N. R. 35 W.
Scale: 8" = 1 Mile.

Area: 994 Acres
Length of Shoreline: 6.5 Miles



Cover Type And
Lake Bottom Soil Type Map

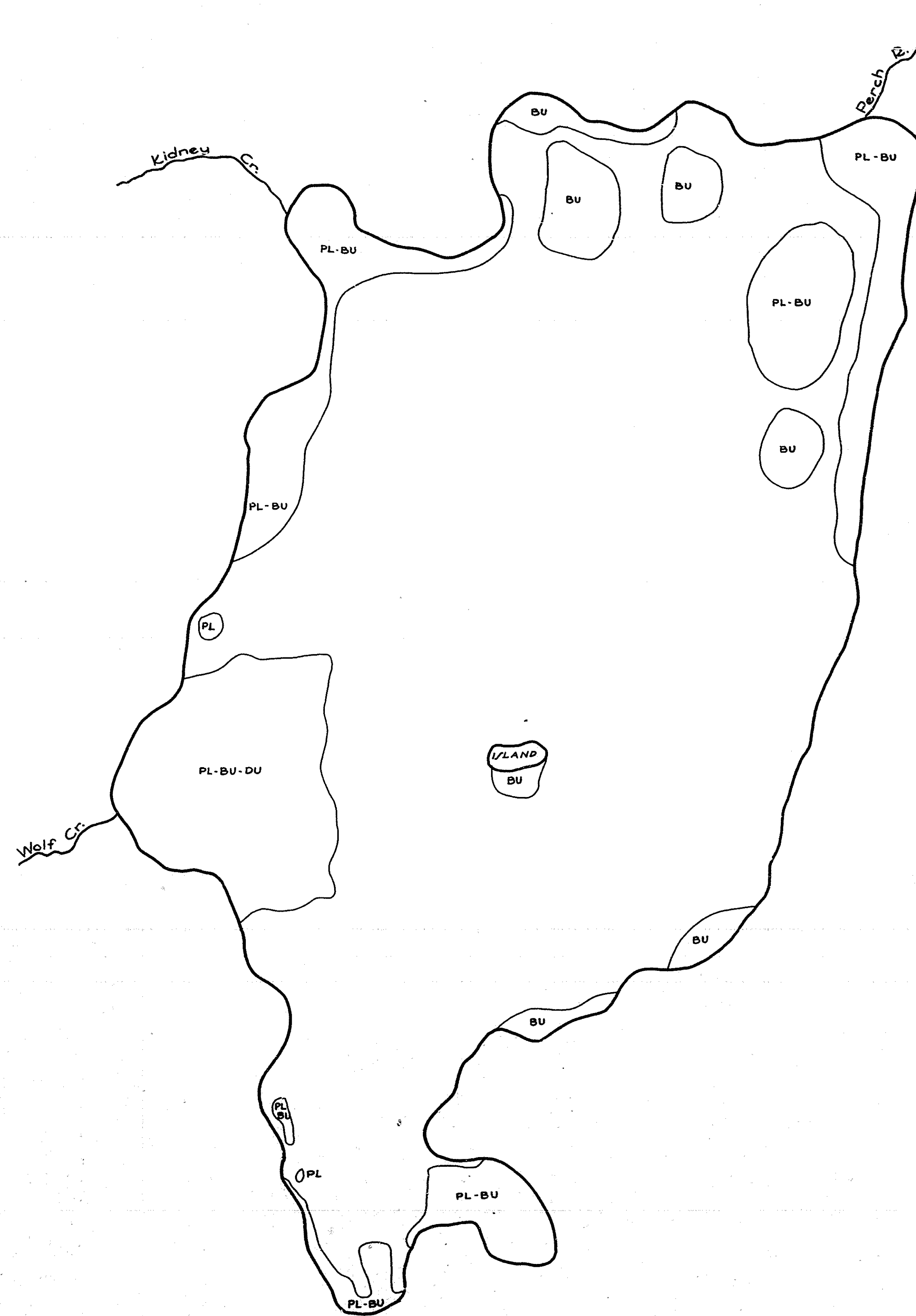
72-11-1

Sheet No. 3 of 3

R-9
 U.S. Department of Agriculture
 Forest Service
 LAKE AND STREAM SURVEY
 PERCH LAKE
 Ottawa National Forest
 Michigan

Location: Secs 22, 23, 26, 27, 34 T.46N. R. 35W.
 Scale: 8" = 1 Mile.

Area: 994
 Length of Shoreline: 6.5 Miles.



Aquatic Vegetation Map

U-11-24

PERCH LAKE, IRON COUNTY