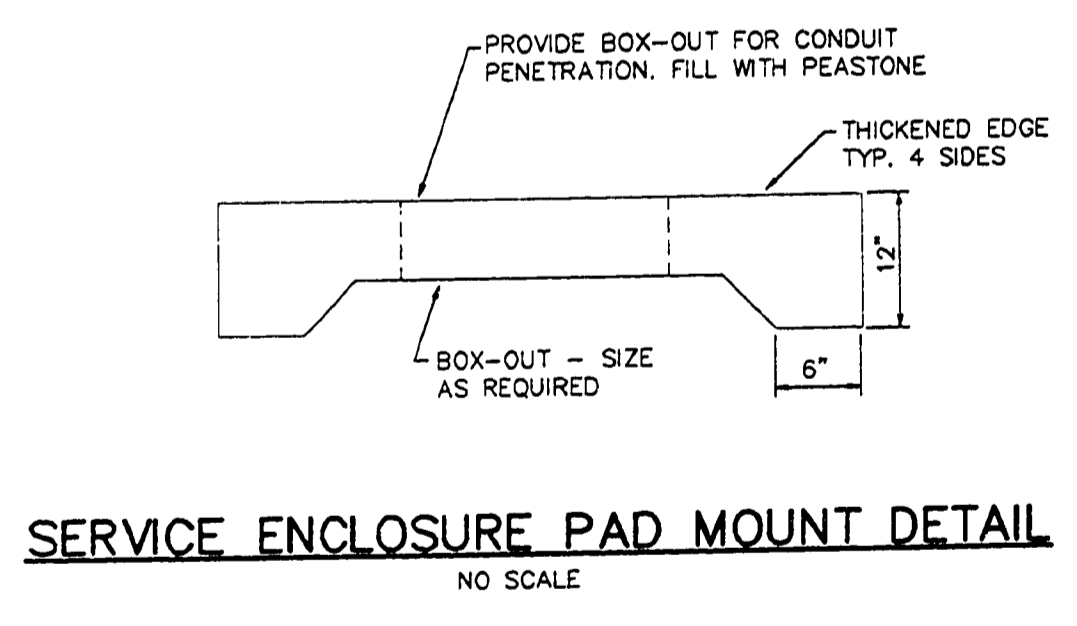
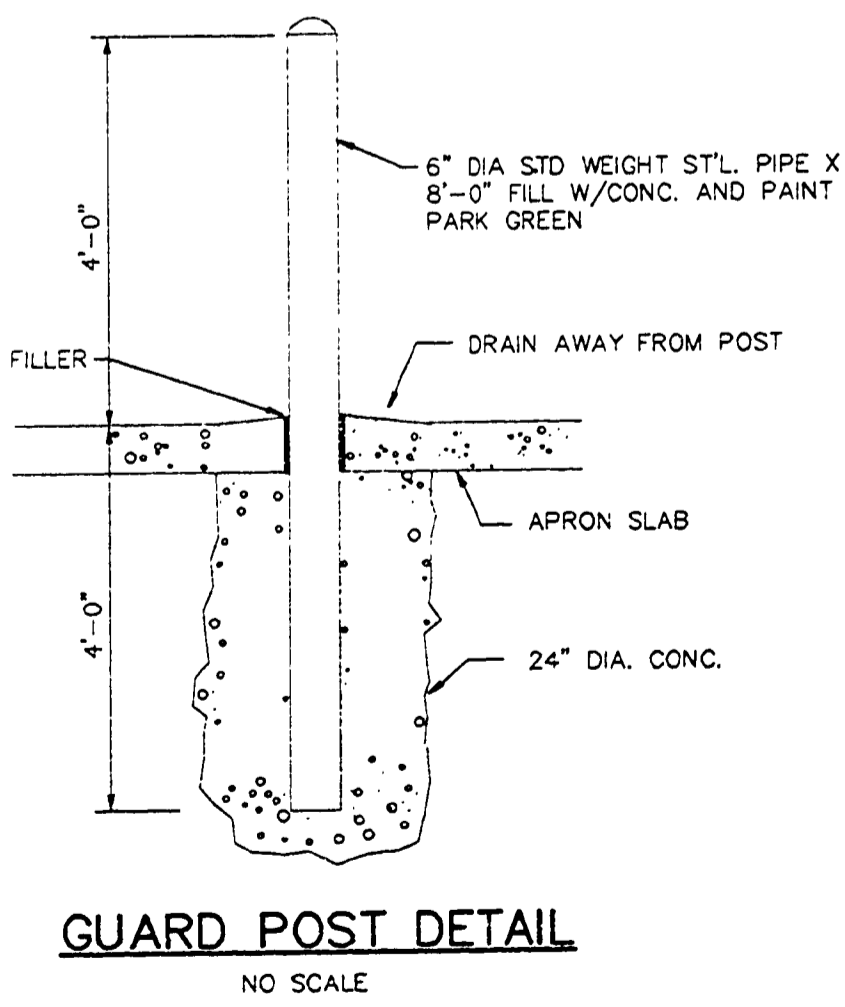


NOTE:
EXISTING UNDERGROUND ELECTRIC LINES ARE LOCATED IN THE VICINITY OF THE PROPOSED PUMP STATION. THE LOCATION OF THE PUMP STATION MAY BE ADJUSTED, WITH THE APPROVAL OF THE PROJECT MANAGER, IN ORDER TO AVOID CONFLICTS WITH THE ELECTRICAL UTILITIES.

GENERAL CONSTRUCTION NOTES

1. ALL EQUIPMENT AND PIPING REMOVED FROM THE EXISTING PUMP STATION SHALL BE REMOVED FROM THE SITE WITHIN THE SAME WORKING DAY.
2. ALL DISTURBED AREAS SHALL BE TOPSOILED, SEED, AND MULCHED IN ACCORDANCE WITH THE SPECIFICATIONS.
3. EXCESS EXCAVATED MATERIAL WHICH CANNOT BE INCORPORATED INTO THE WORK SHALL BE REMOVED FROM THE PARK SITE.



FLOAT CONTROL ELEVATIONS		PIPING SCHEDULE
DESIGNATION	ELEVATION	
LOW WATER LEVEL ALARM	890.0	ALL PUMP DISCHARGE PIPING SHALL BE FLANGED DUCTILE IRON PER SPECIFICATION 15110 FORCEMAIN - DOWNSTREAM OF THE EXTERIOR PLUG VALVE - SHALL CONFORM TO SPECIFICATION 02717 ALL VALVES TO OPEN COUNTER-CLOCKWISE
PUMPS OFF	890.5	
LEAD PUMP ON	892.5	
LAG PUMP ON	893.0	
HIGH WATER LEVEL ALARM	894.0	

FILE NO.: 1180PST
PLOT DATE: 10-17-91
UPDATED BY: GJF

DRN BY:	
DES. BY:	LJS
CHK BY:	CJF
APP'D BY:	GDA

Capital
consultants, Inc.
ENGINEERS

STATE OF MICHIGAN
DEPARTMENT OF MANAGEMENT AND BUDGET
Office of Facilities

QUALITY OF LIFE RECREATION BOND
MICHIGAN DEPARTMENT OF NATURAL RESOURCES
PARKS DIVISION - STATE ACCT. NO. 607-75-2450-400

BRIGHTON RECREATION AREA
BISHOP LAKE CAMPGROUND
PROPOSED PUMP STATION

SCALE: AS SHOWN
PROJ. NO.: 91180
SHEET 3 OF 4

L-128