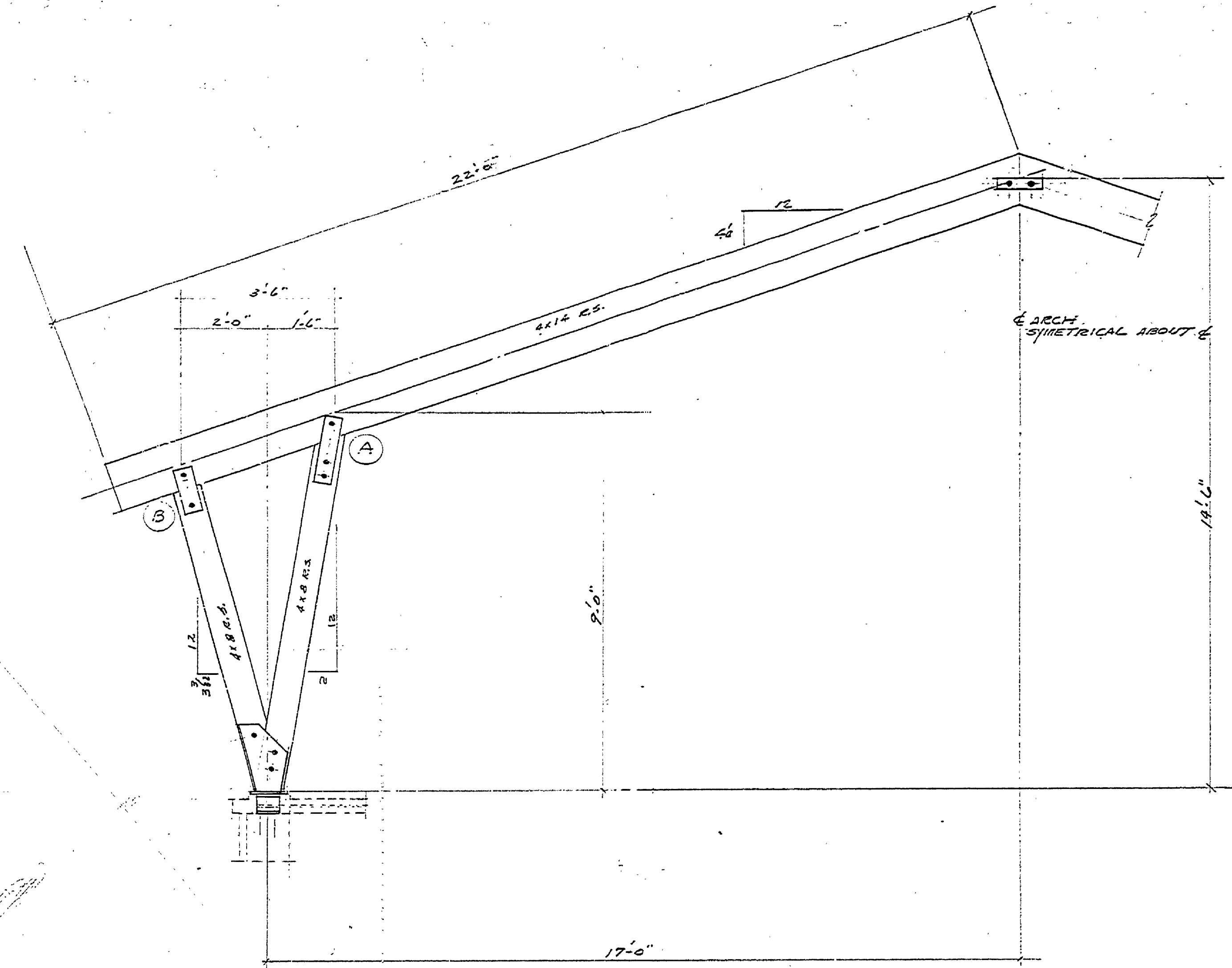
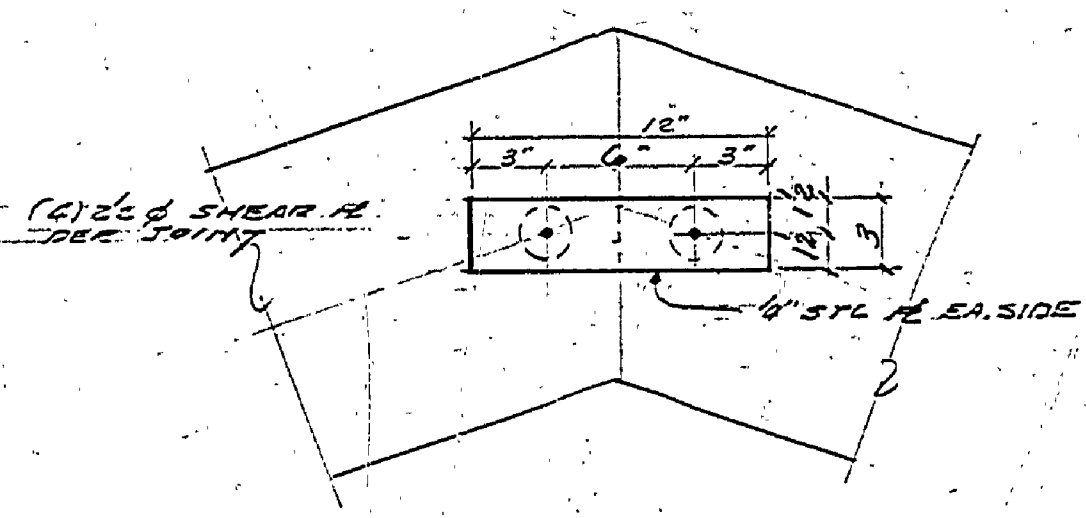


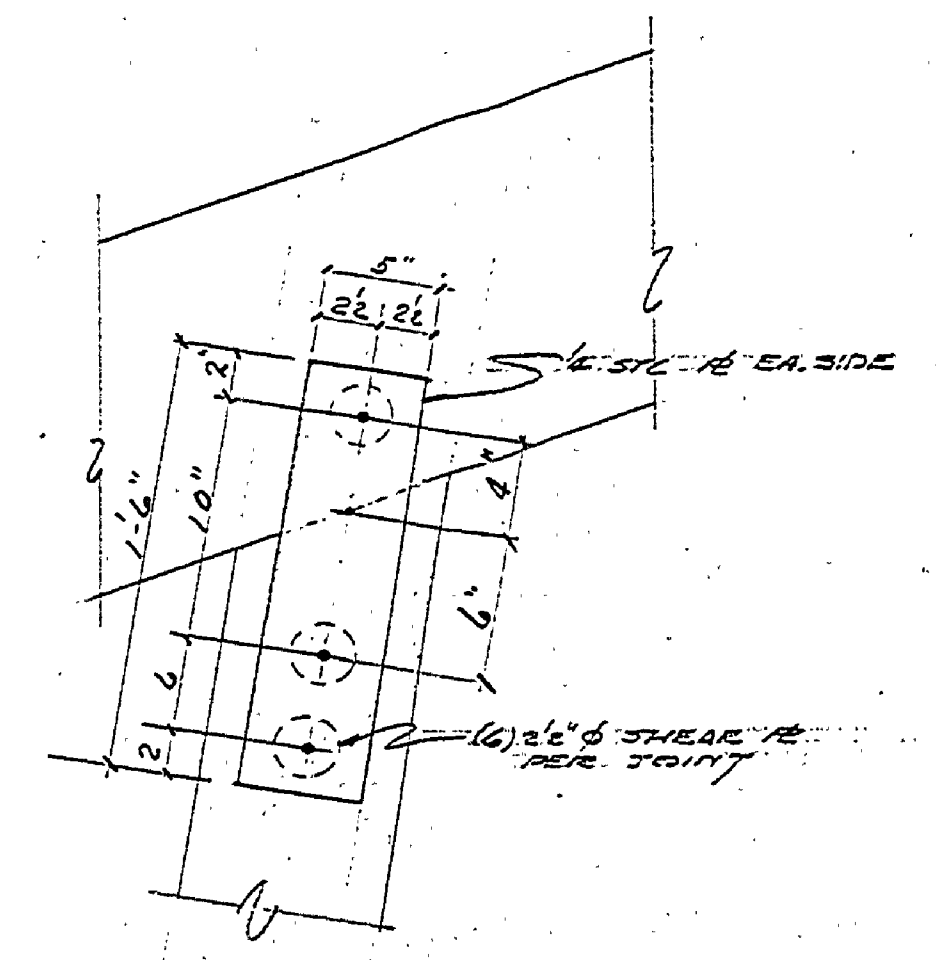
DESIGNED BY	DATE	REVIEWED	DATE	APPROVED	DATE	NO.	DATE	BY	REVISIONS
W.A.C.	1/13/64	W.A.C.	4-14-64		1	1			4
DRAWN BY	1/13/64	ENGINEERING	4-23-64		2	2			5
CHECKED BY	W.A.C.	LANDSCAPE	4-64		3	3	4-23-64		6



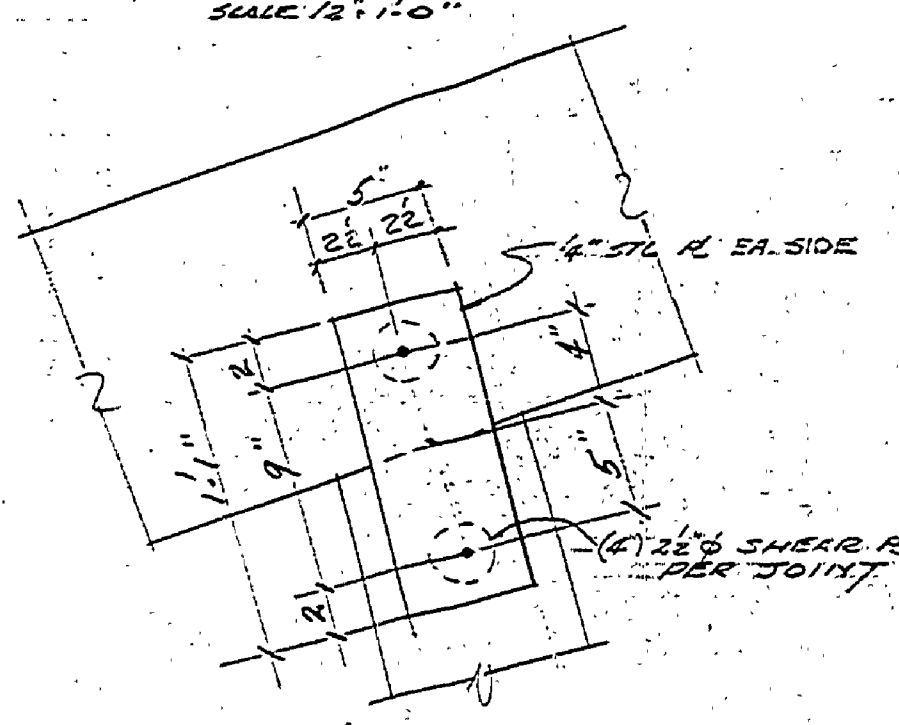
DET. - 3-HINGED WOODEN ARCH - (WREQ.)  
SCALE 1/2" = 1'-0"



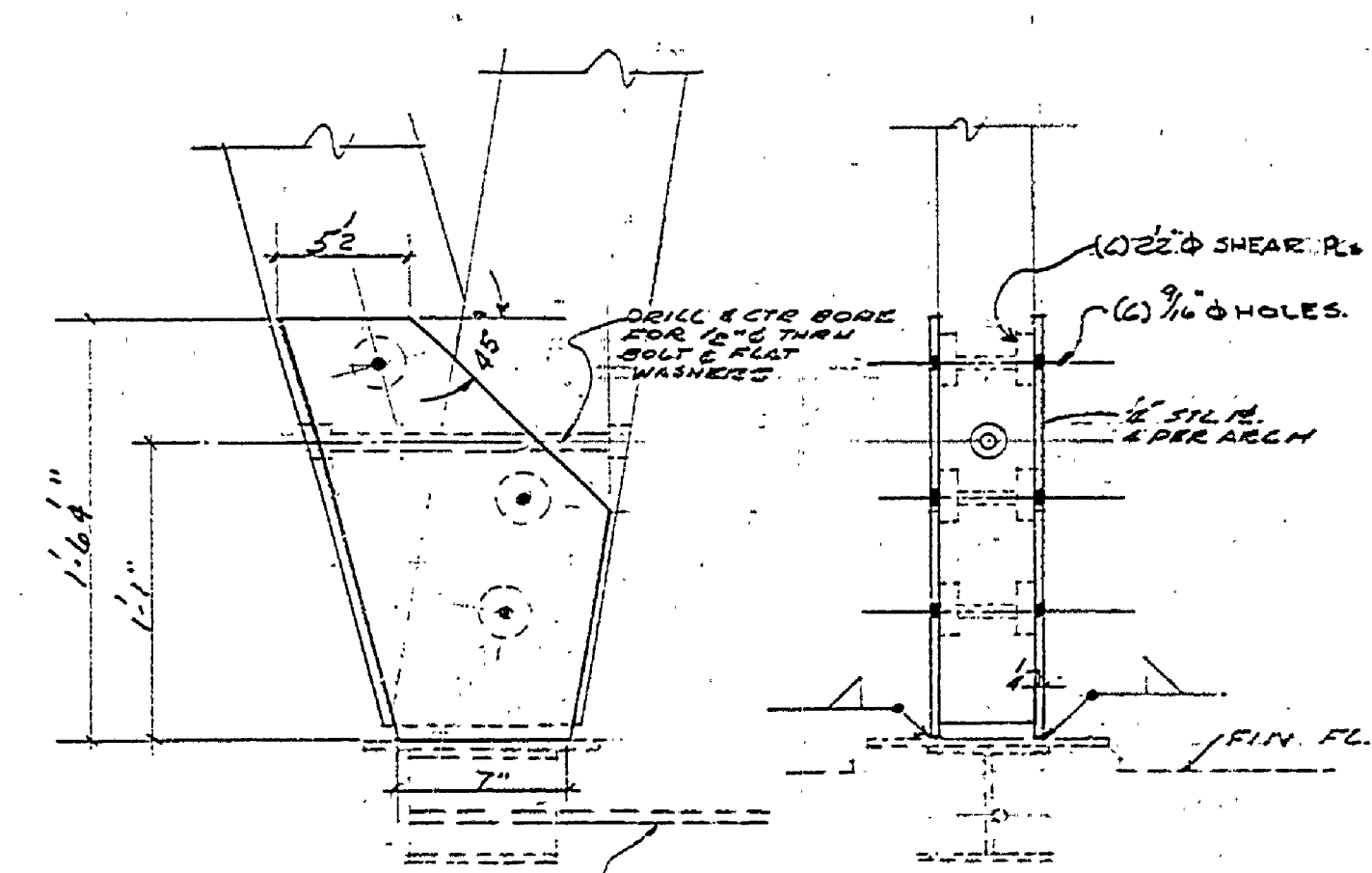
DET. - RIDGE  
SCALE 1/2" = 1'-0"



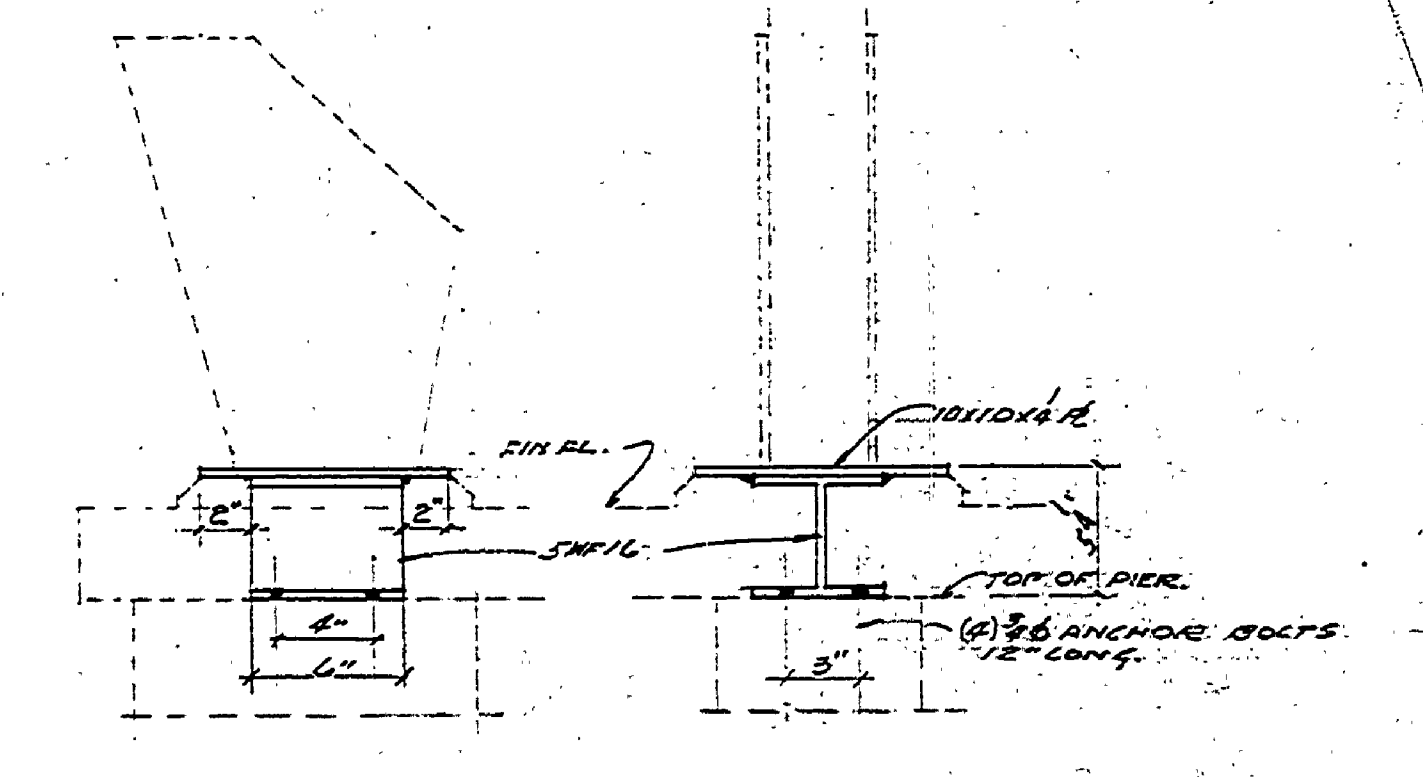
DET. - JOINT "A"  
SCALE 1/2" = 1'-0"



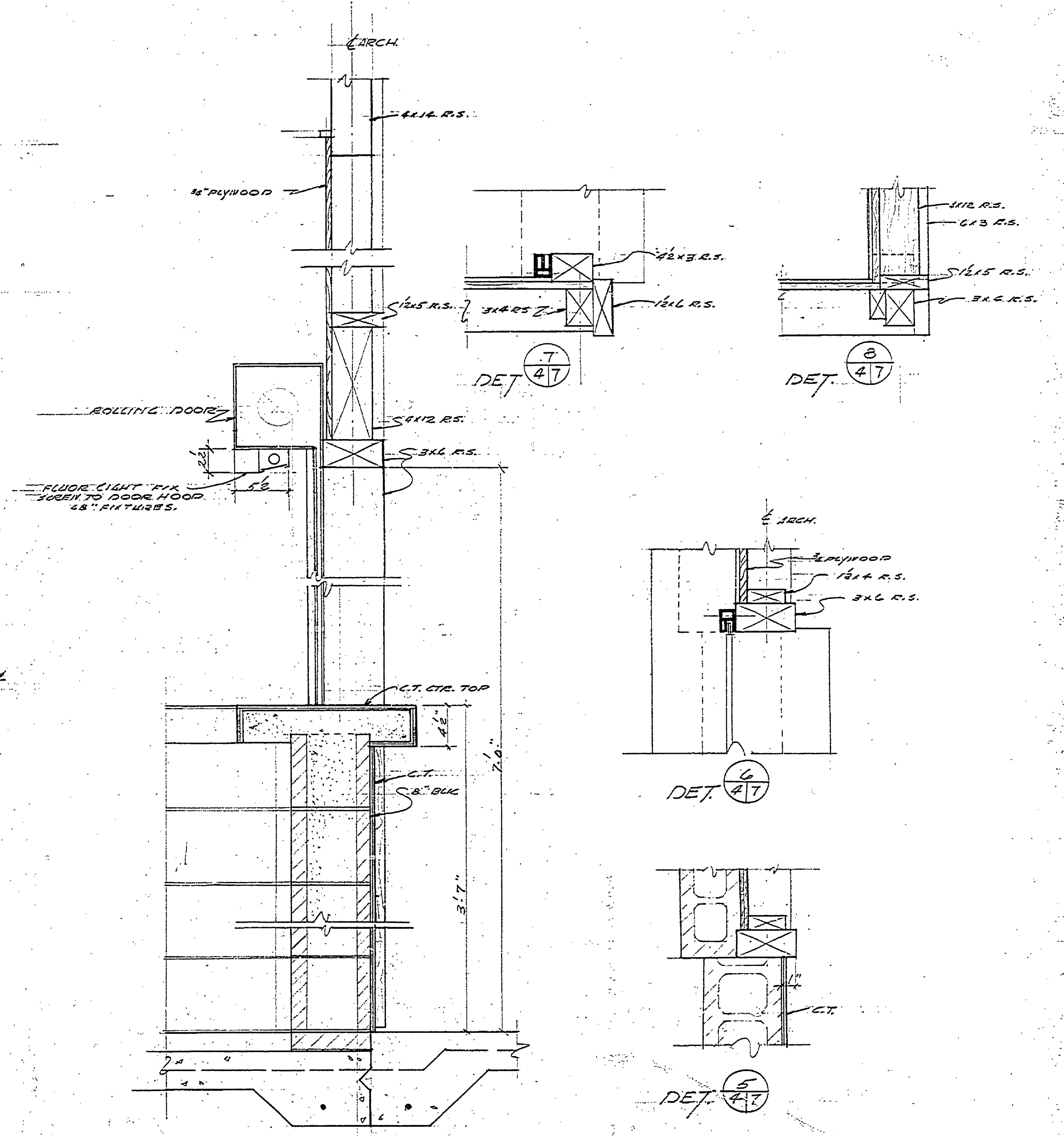
DET. - JOINT "B"  
SCALE 1/2" = 1'-0"



SIDE PLATE DET. - HEEL OF ARCH  
SCALE 1/2" = 1'-0"



DET. - BASE PL. & SHOE ANCHOR ARCH HEEL  
SCALE 1/2" = 1'-0"



SECTION - 4  
SCALE 1/2" = 1'-0"