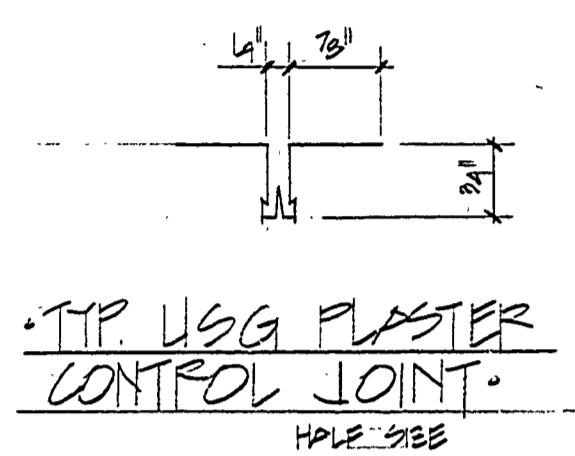
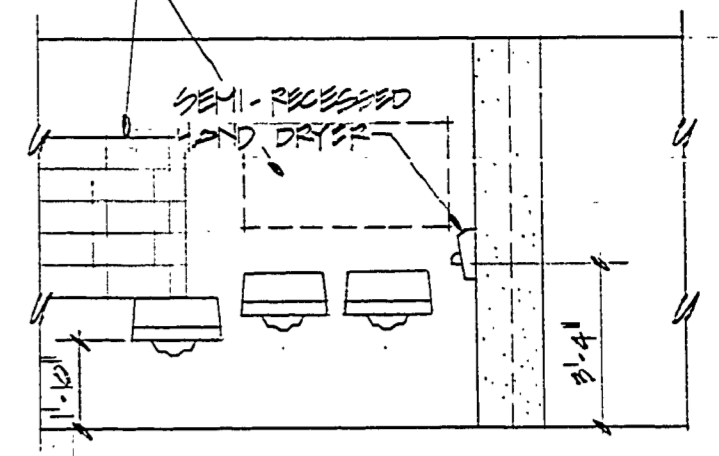
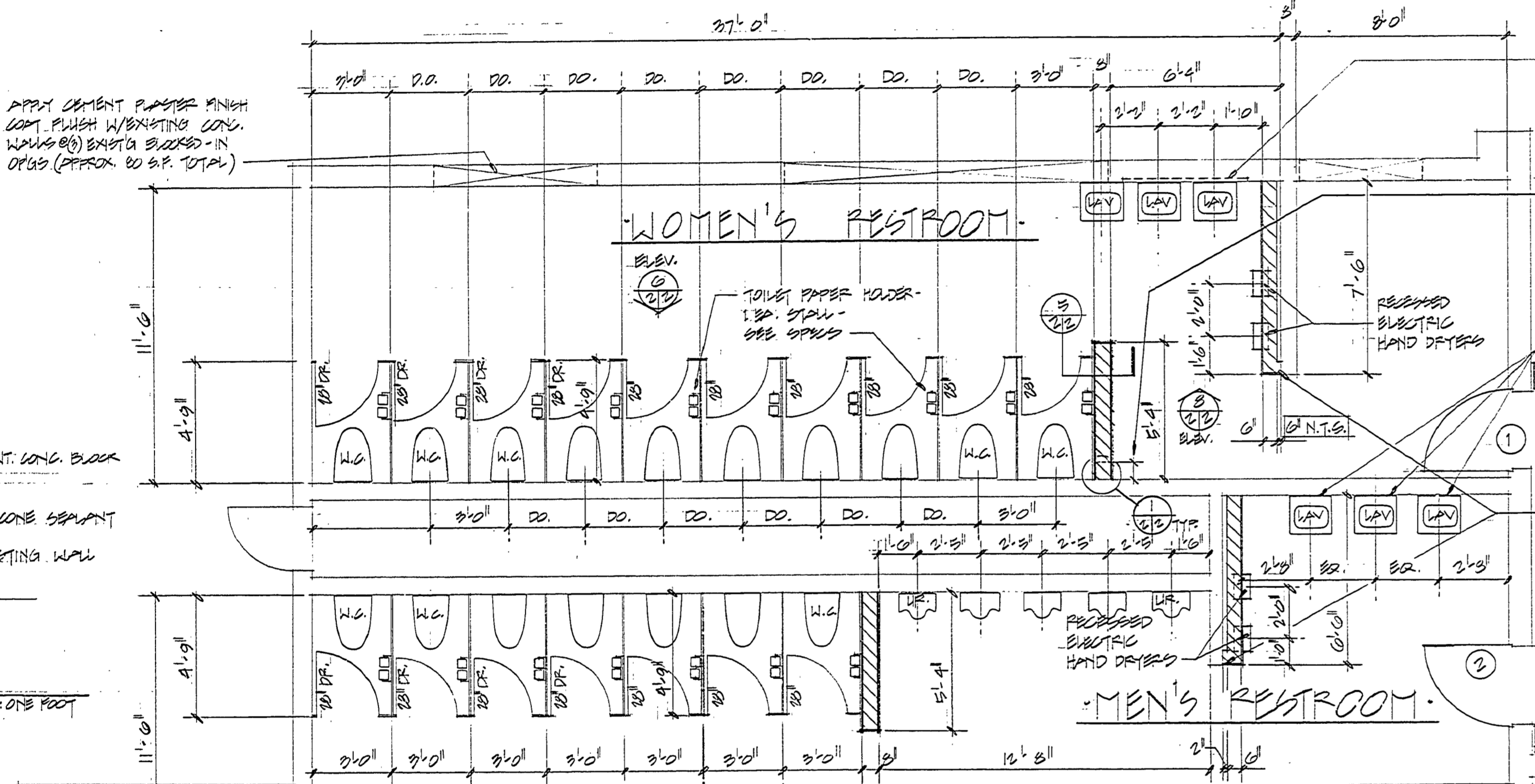


EXISTING BLOCK-IN OPENING OR MIRROR LOCATION. SEE NOTE ON FLOOR PLAN FOR FINISH TREATMENT

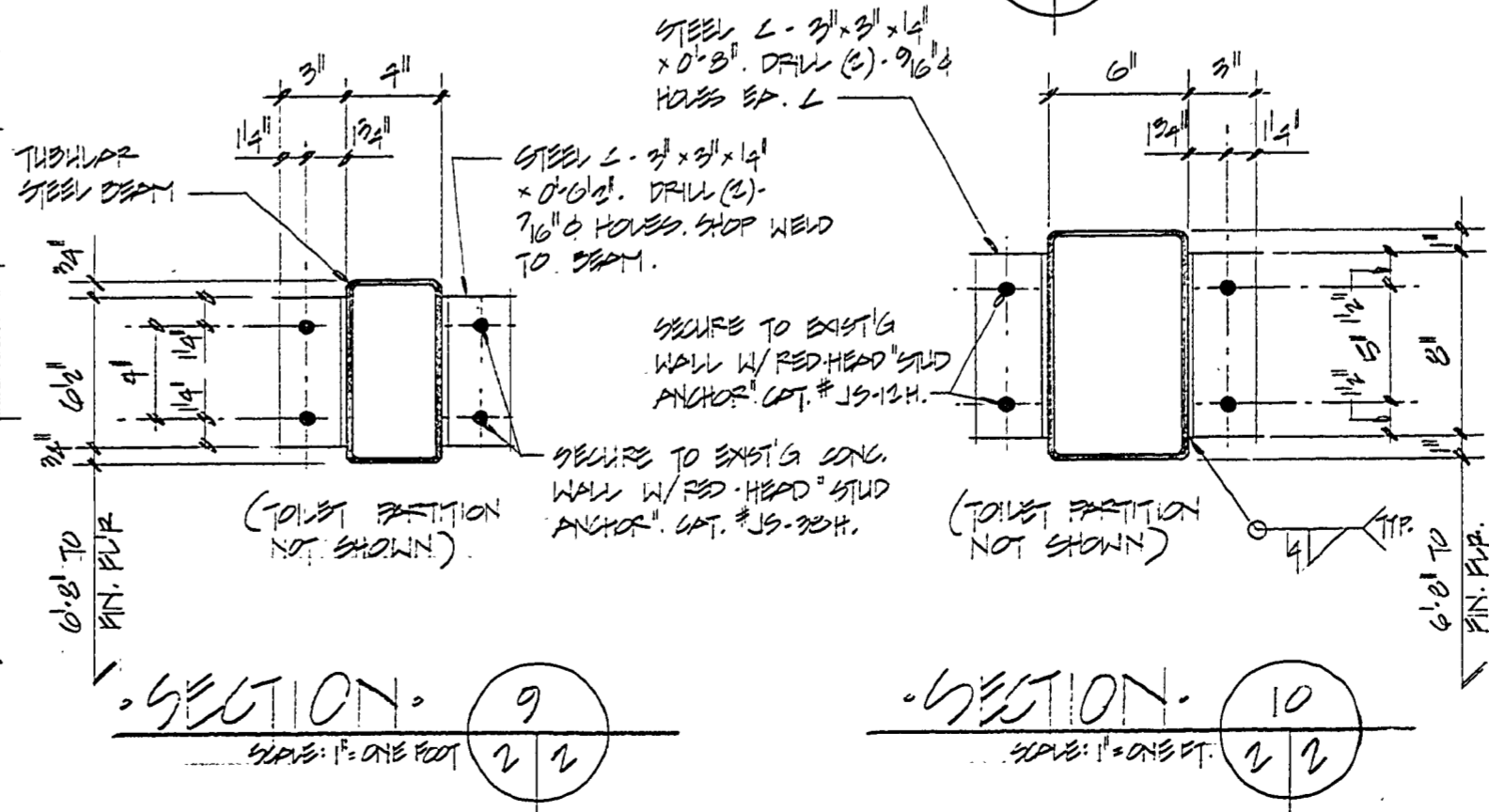
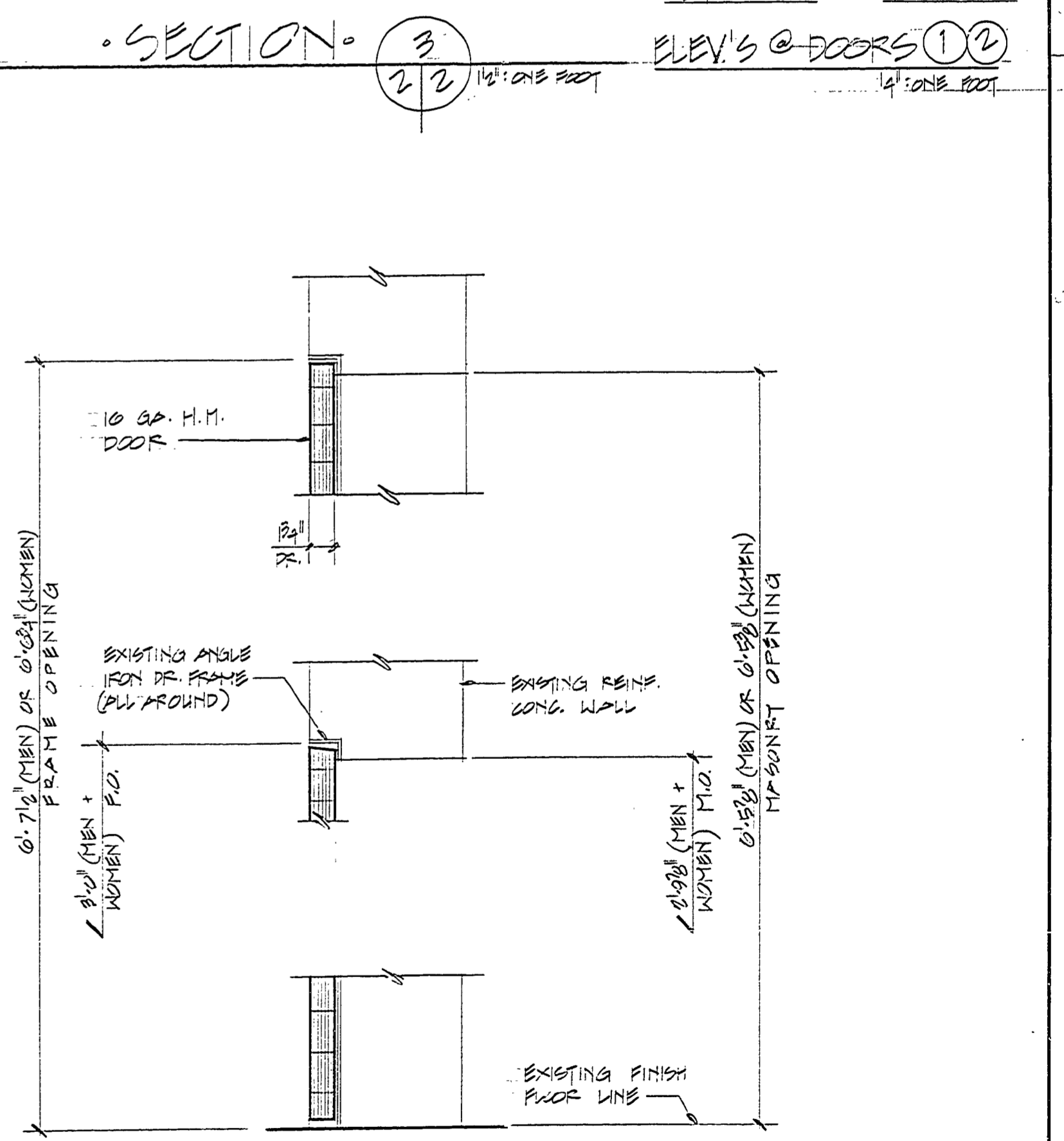
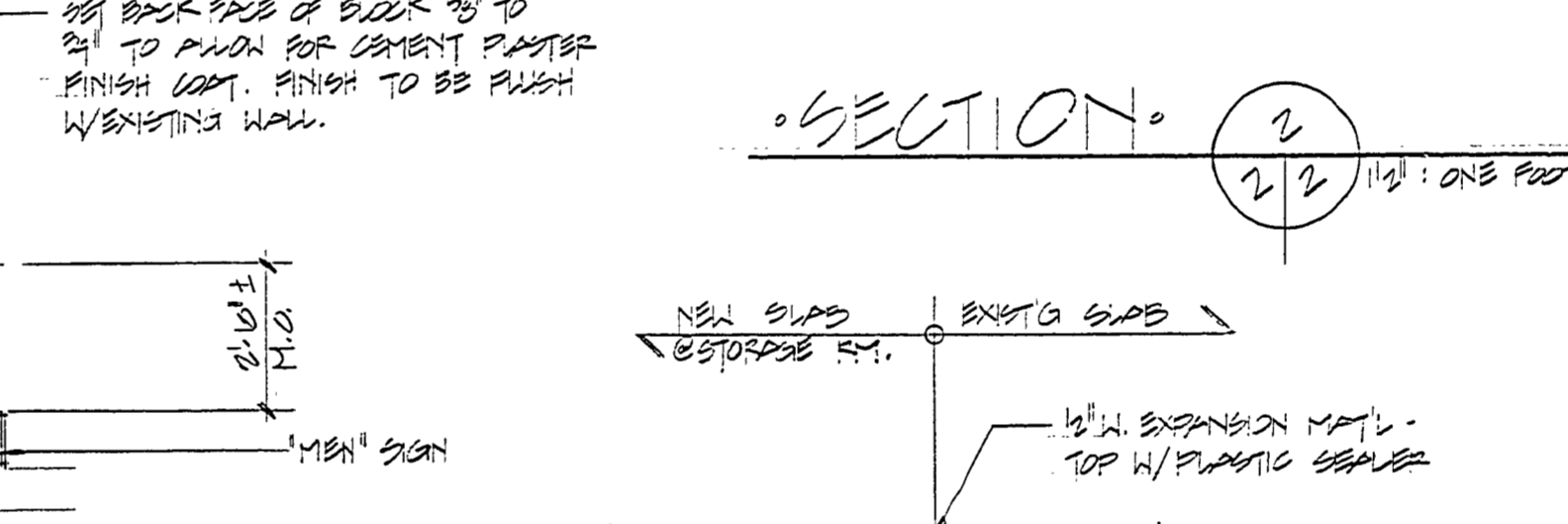
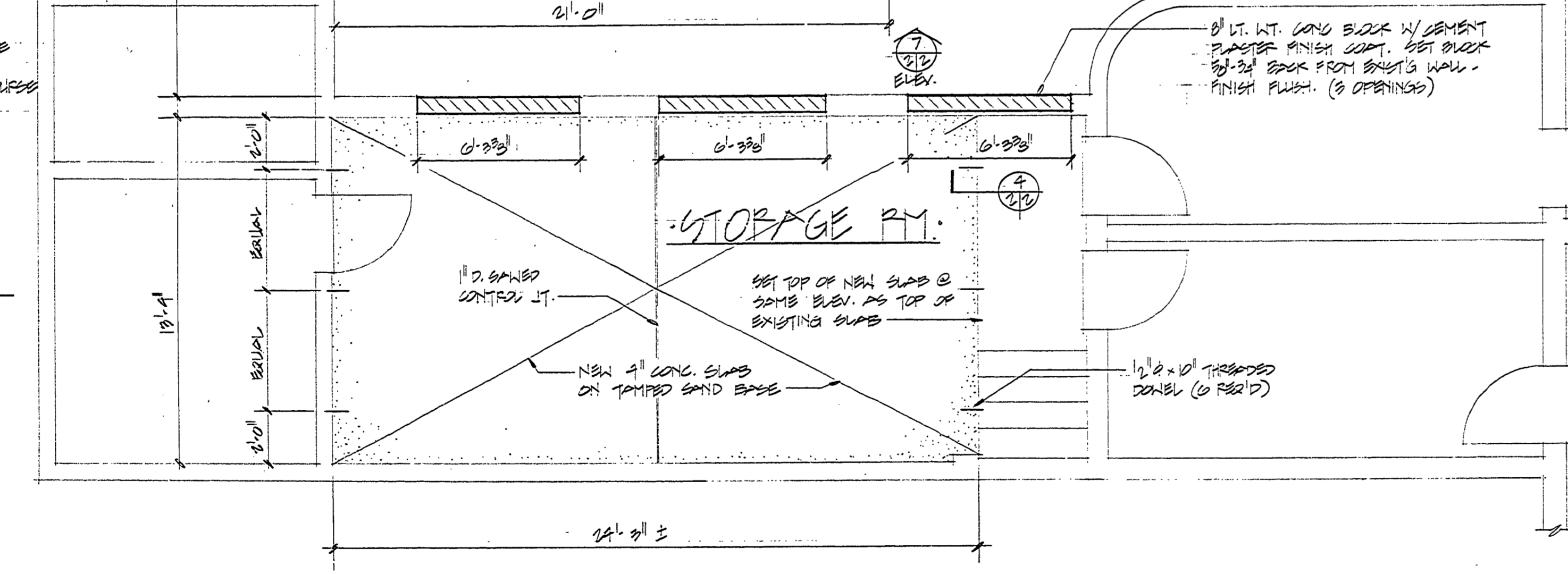
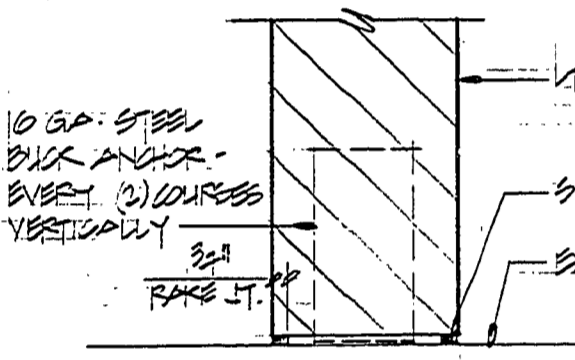
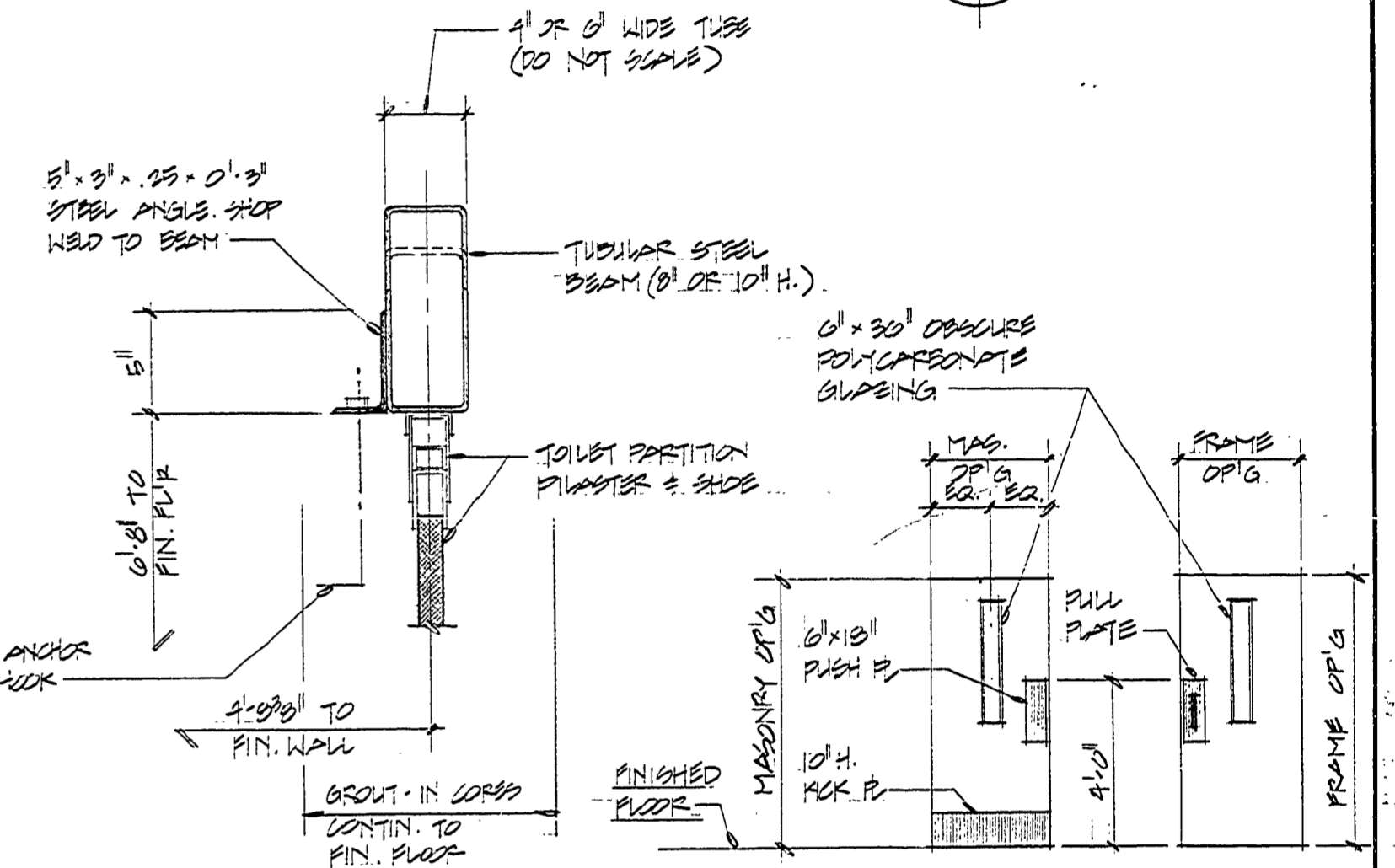
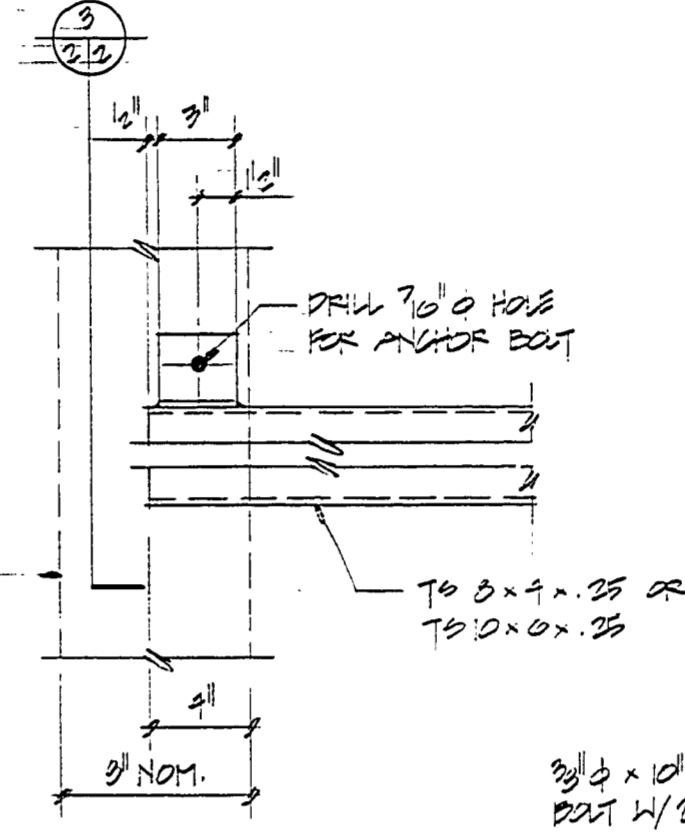


APPLY CEILING PLASTER FINISH CONT. FINISH W/ EXISTING CONC. WALLS @ 8" EXISTING BLOCKS - IN OPEN (APPROX. 80 SF. TOTAL)



REMOVE PLINCO SHEETS FROM EXISTING MIRROR LOCATION DOWN TO CONC. WALL. FILL RECESS W/ CEMENT PLASTER. BRING PLASTER TO EXIST'G SURFACE (APPROX. SIZE: 2'-0" H. x 4'-0" W. x 1'-0" D.)

IMPORTANT! BLOCK OUT 1" OF CONC. BLOCK PARTITION (MEASURED DOWN FROM CENTER LINE) x 0'-0" LONG TO MATCH SPACING FOR VENTILATION Louvers.



NOTES: BEFORE ORDERING DOORS, FIELD MEASURE EXISTING OPENINGS. ADJUST HARDWARE AS REQUIRED. DOORS TO BE GALVANIZED STEEL.

SURVEYED BY	DRAWN BY	NO.	DATE	BY	REVISIONS	NO.	DATE	BY	REVISIONS	MICHIGAN DEPARTMENT OF NATURAL RESOURCES	FLOOR PLAN, INTERIOR ELEV'S, SECTIONS, DETAILS SHEET TITLE	MUSKOGEE STATE PARK AREA OR PARK	PROJECT NO. 24-0490
DESIGNED BY	CHECKED BY	1.				3.						PERCHHOUSE TOILET REMODELING PROJECT	SHEET 2 OF 3
DATE	DATE	2.				4.							PLAN NO. A-118B