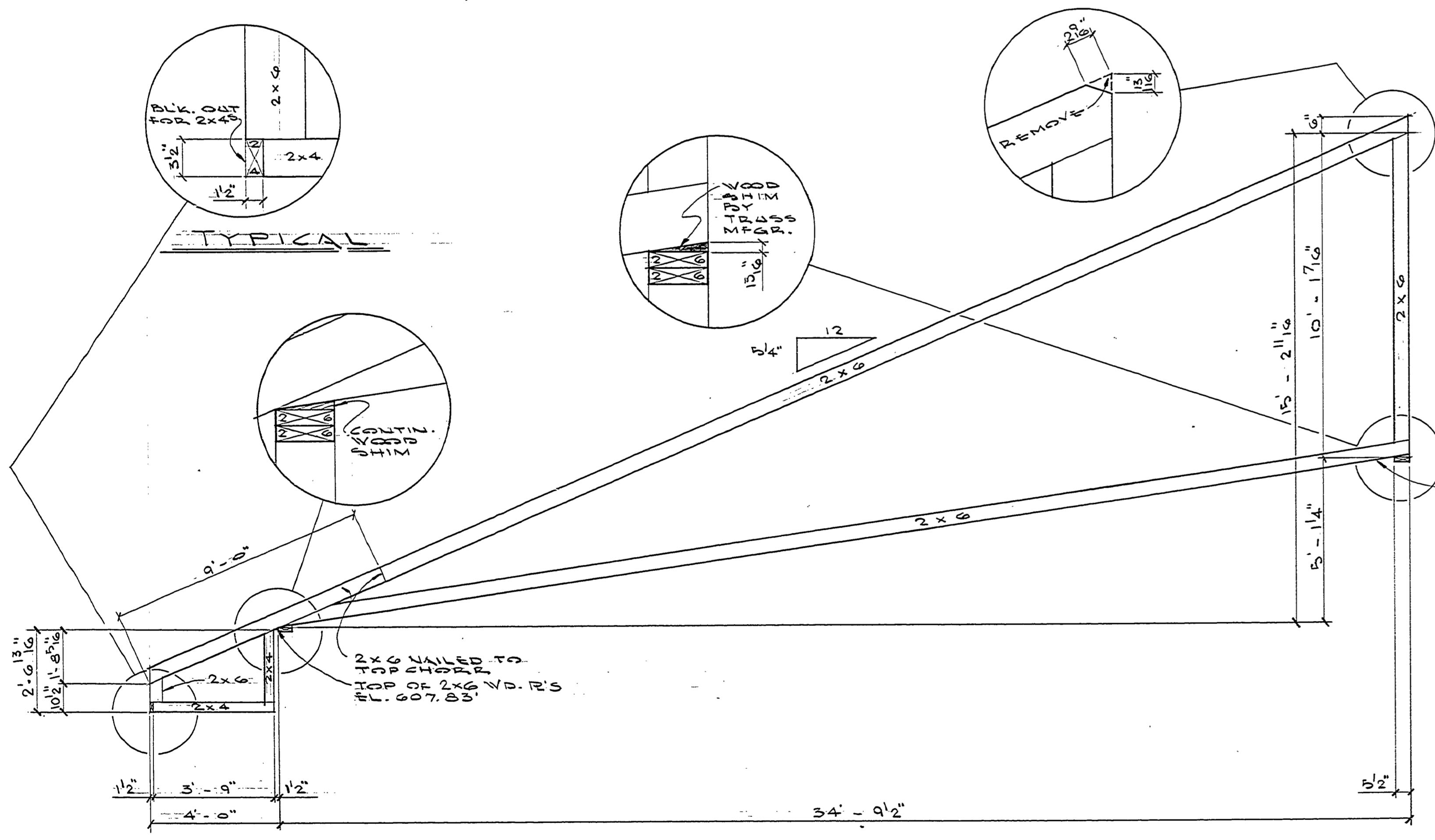
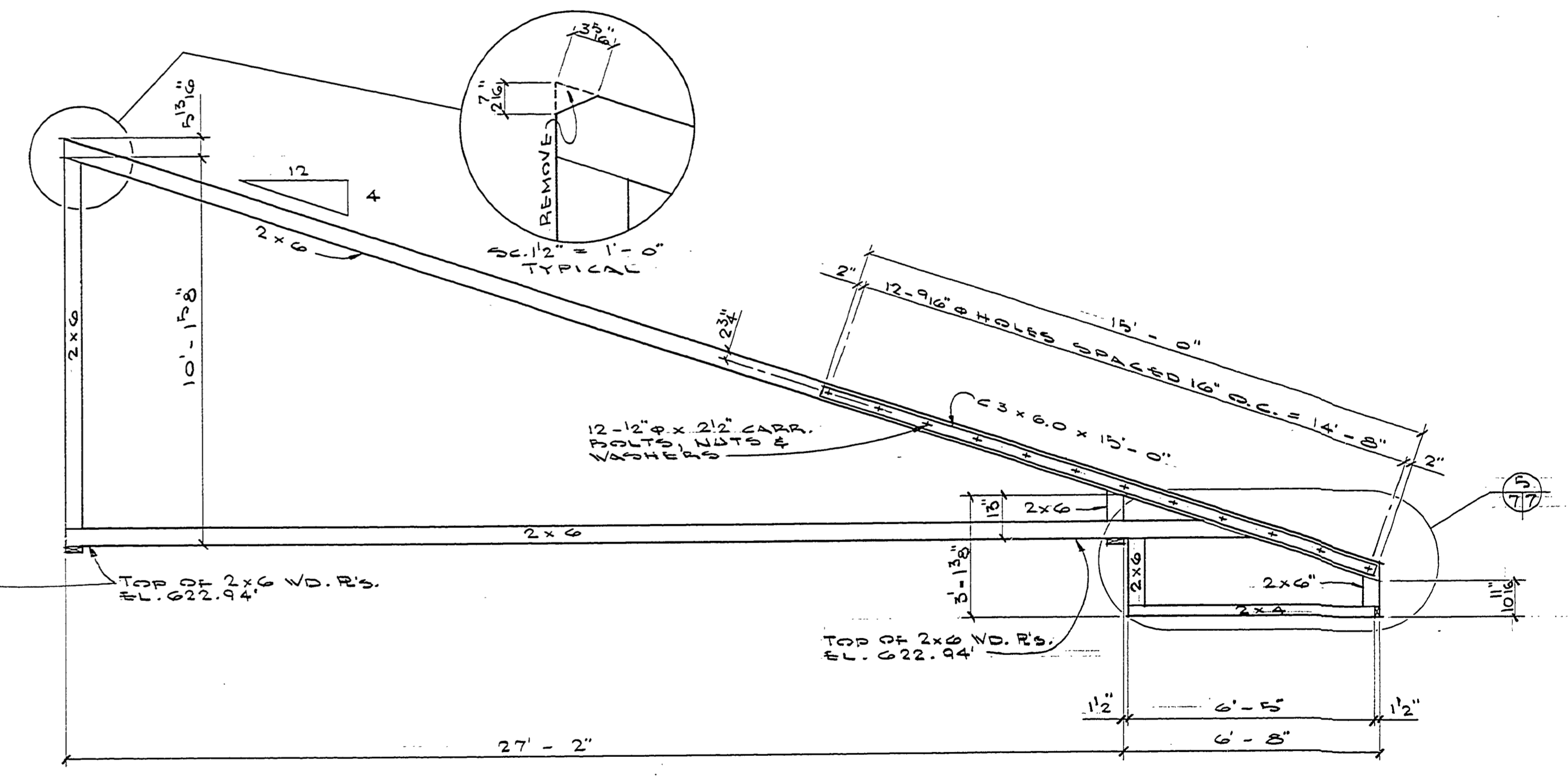


TRUSS TYPE "A"
SCALE 3/8" = 1'-0"

TRUSS TYPE "B"
SCALE 3/8" = 1'-0"



TRUSS TYPE "C"
SCALE 3/8" = 1'-0"



TRUSS TYPE "D"
SCALE 3/8" = 1'-0"

TRUSS DESIGN	
UNIFORM LOADS	
TOP CHORD	DL = 30.0 P.P.S.F.
POT. CHORD	DL = 17.0 P.P.S.F.
	PL = 10.0 P.P.S.F.
TOTAL LOAD	= 57.0 P.P.S.F.
LOAD DURATION FACTOR 15% INCREASE	

SURVEYED BY	DRAWN BY	NO.	DATE	BY	REVISIONS	NO.	DATE	BY	REVISIONS	MICHIGAN DEPARTMENT OF NATURAL RESOURCES	TRUSS DETAILS	MICHIGAN STATE PARK	PROJECT NO. 14-0376
DESIGNED BY	CHECKED BY	1.				3.				DEPARTMENT OF NATURAL RESOURCES	SHEET TITLE	AREA OR PARK	SHEET 5 OF 7
	DATE	2.				4.						PROJECT	PLAN NO. P-110