

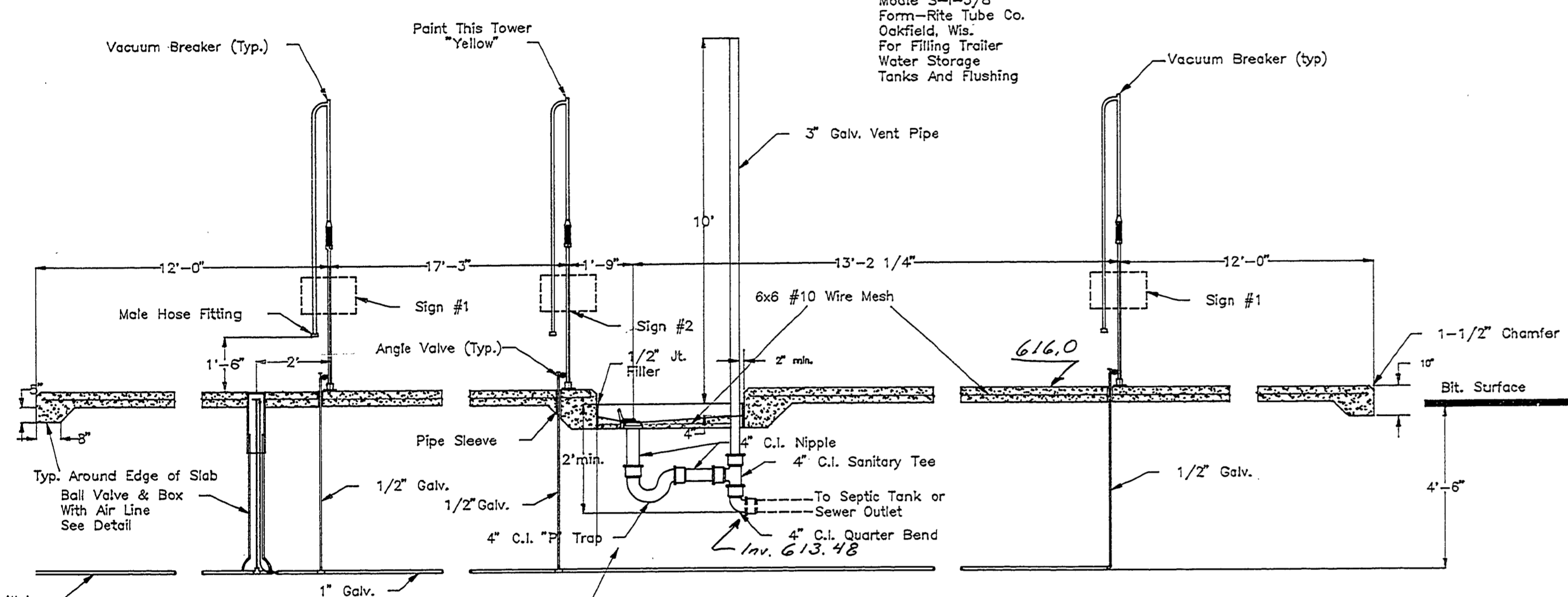
HATCH & COVER SECTION DETAIL
VAREC FIG. 46
VAPOR RECOVERY SYSTEMS CO.
2920 N. ALAMEDA
COMPTON CALIF.

Water Towers
Model S-1-3/8
Form-Rite Tube Co.
Oakfield, Wis.
For Filling Trailer
Water Storage
Tanks And Flushing

DRINKING
WATER
SUPPLY
Sign #1

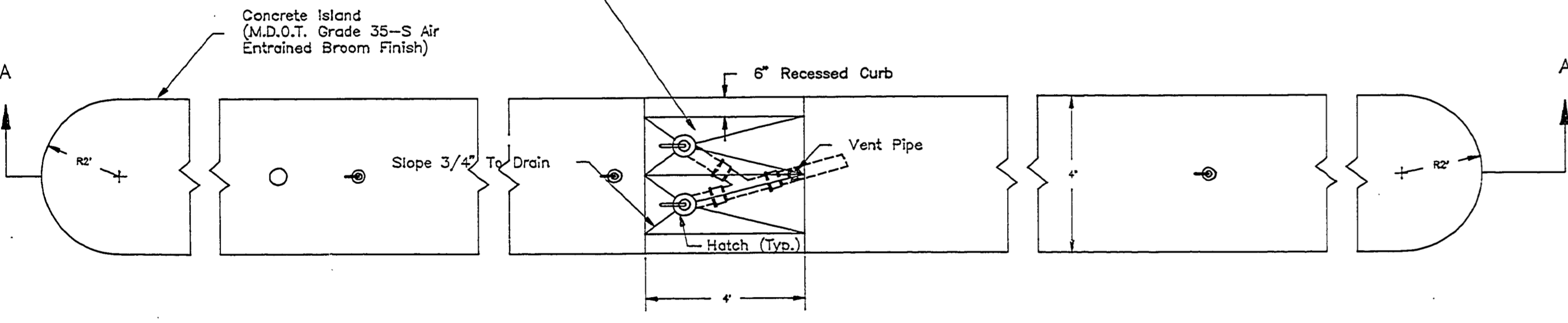
NOTICE
THIS WATER FOR
FLUSHING AND
CLEANING PURPOSES
ONLY
Sign #2

SIGN DETAIL
(By Other)



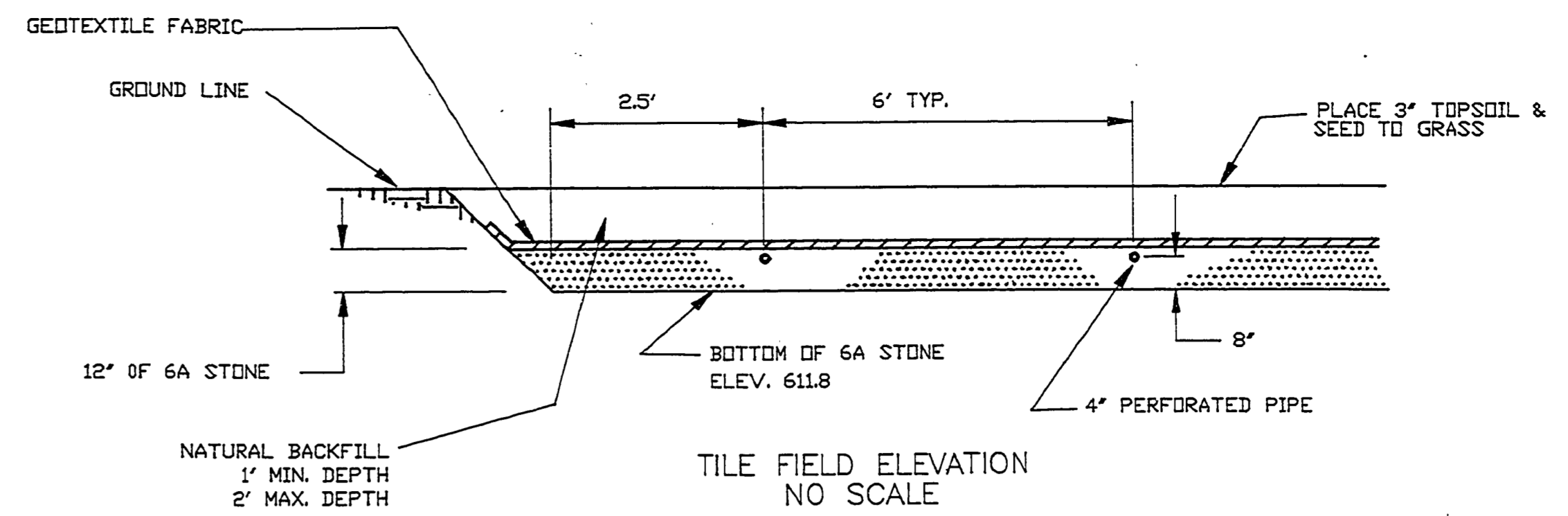
SECTION A-A

NOTE:
Center 4' Sq. Area to be Sand
Fill to Bottom of Sewer Pipe
12\"/>

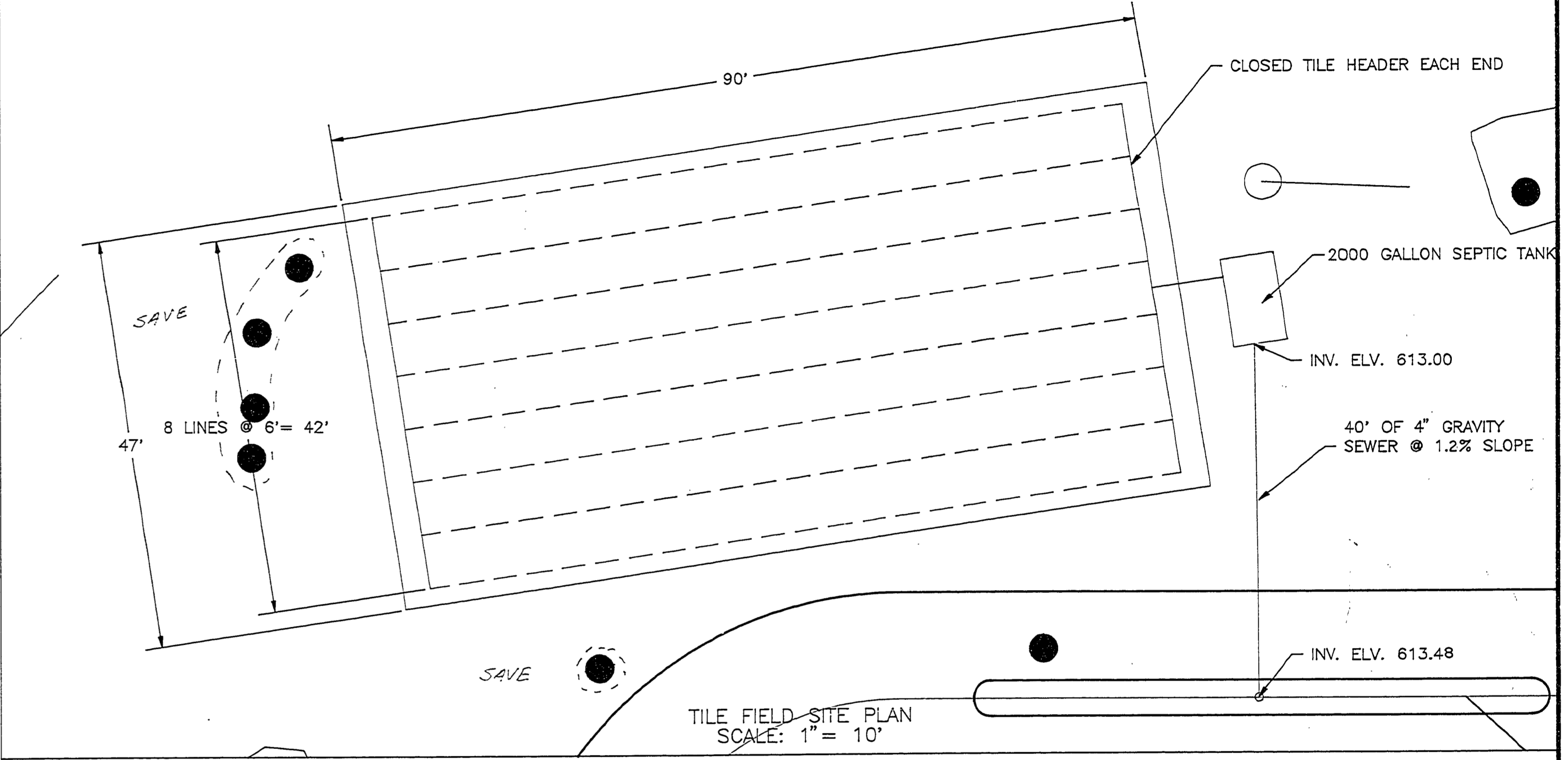


PLAN

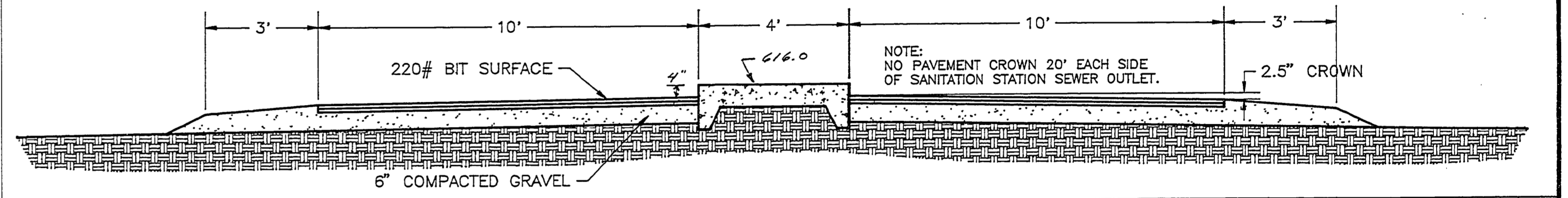
WATER SUPPLY AND SEWAGE DISPOSAL ISLAND



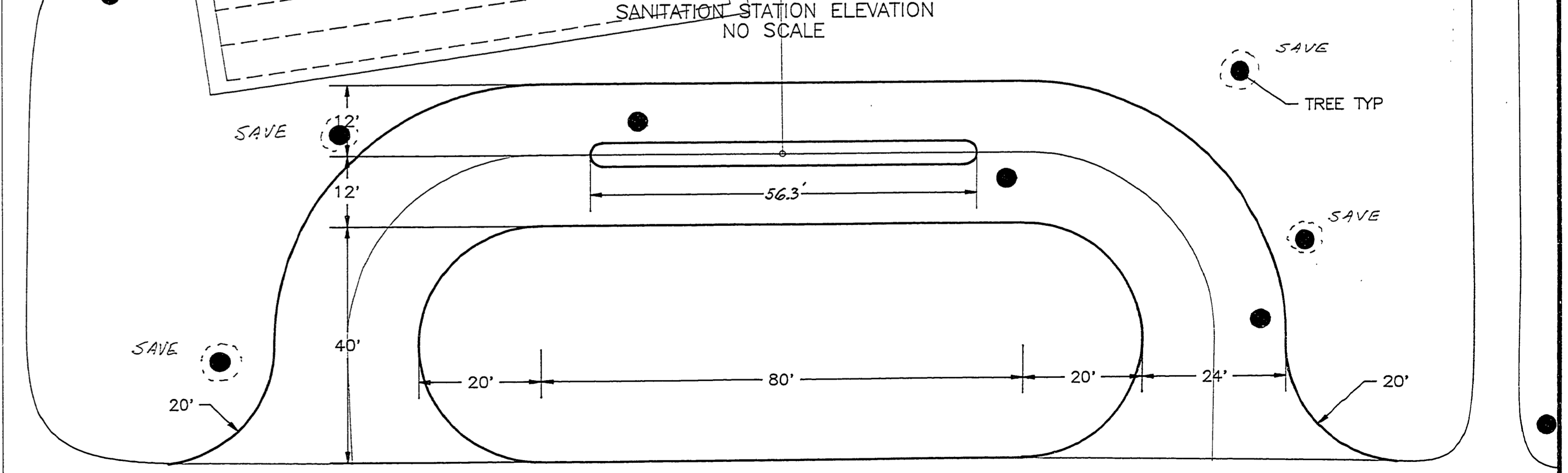
TILE FIELD ELEVATION
NO SCALE



TILE FIELD SITE PLAN
SCALE: 1" = 10'



SANITATION STATION ELEVATION
NO SCALE



SANITATION STATION SITE PLAN
SCALE: 1" = 15'

SURVEYED BY	DRAWN BY	R.H. MERRILL	3/95	NO.	DATE	BY	REVISIONS	NO.	DATE	BY	REVISIONS	MICHIGAN DEPARTMENT OF NATURAL RESOURCES	SANITATION STATION SITE PLAN AND DETAIL SHEET	AREA OR PARK	MUSKOGON STATE PARK	PROJECT NO.	24-1491	MUSK-DET	8/3/95
DESIGNED BY	R.H. MERRILL	3/95	CHECKED BY									PARKS & RECREATION DIVISION	SHEET TITLE	PROJECT	LAKE MICHIGAN CAMPGROUND PROPOSED SANITATION STATION	SHEET	3 OF 3	PLAN NO.	E-126