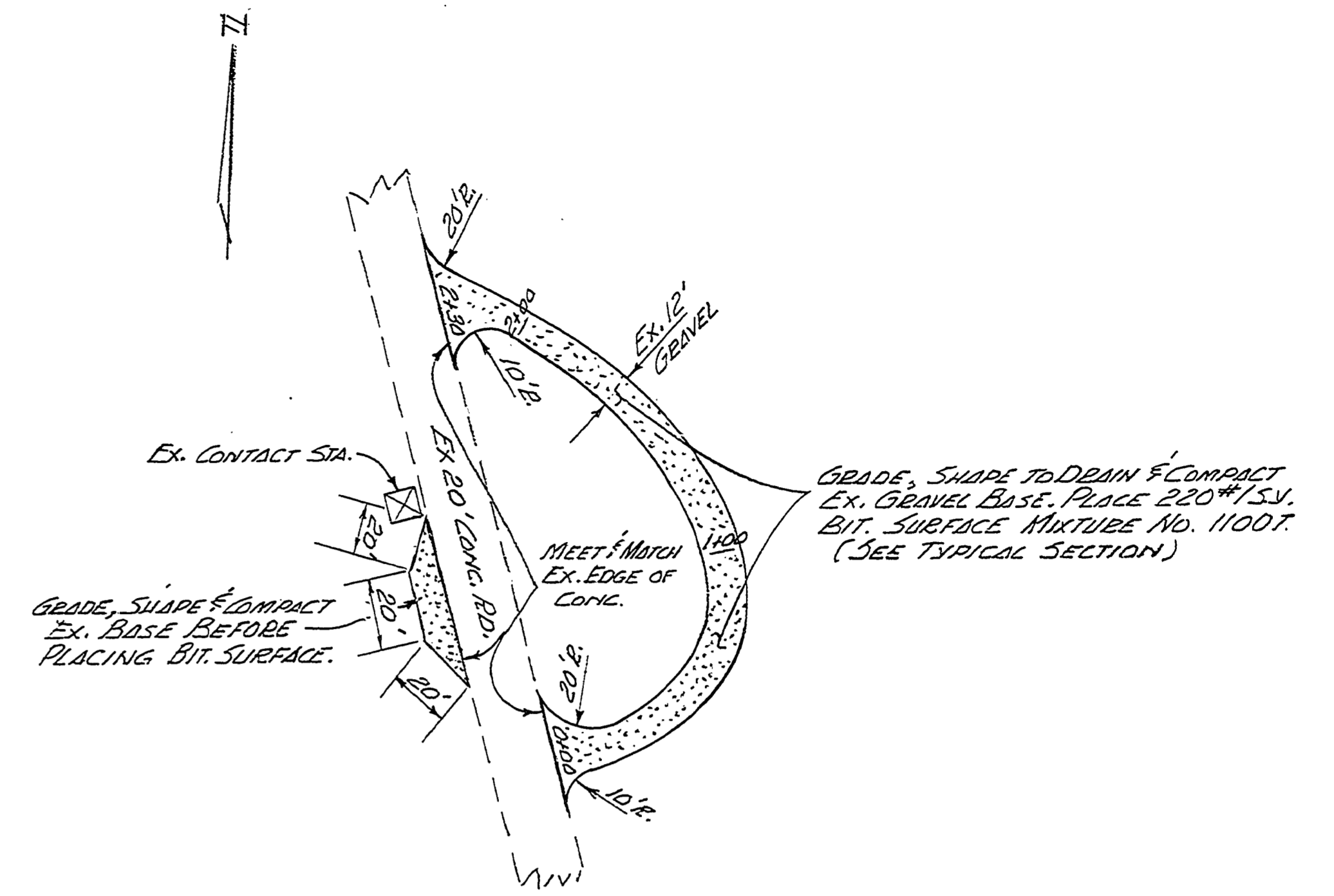
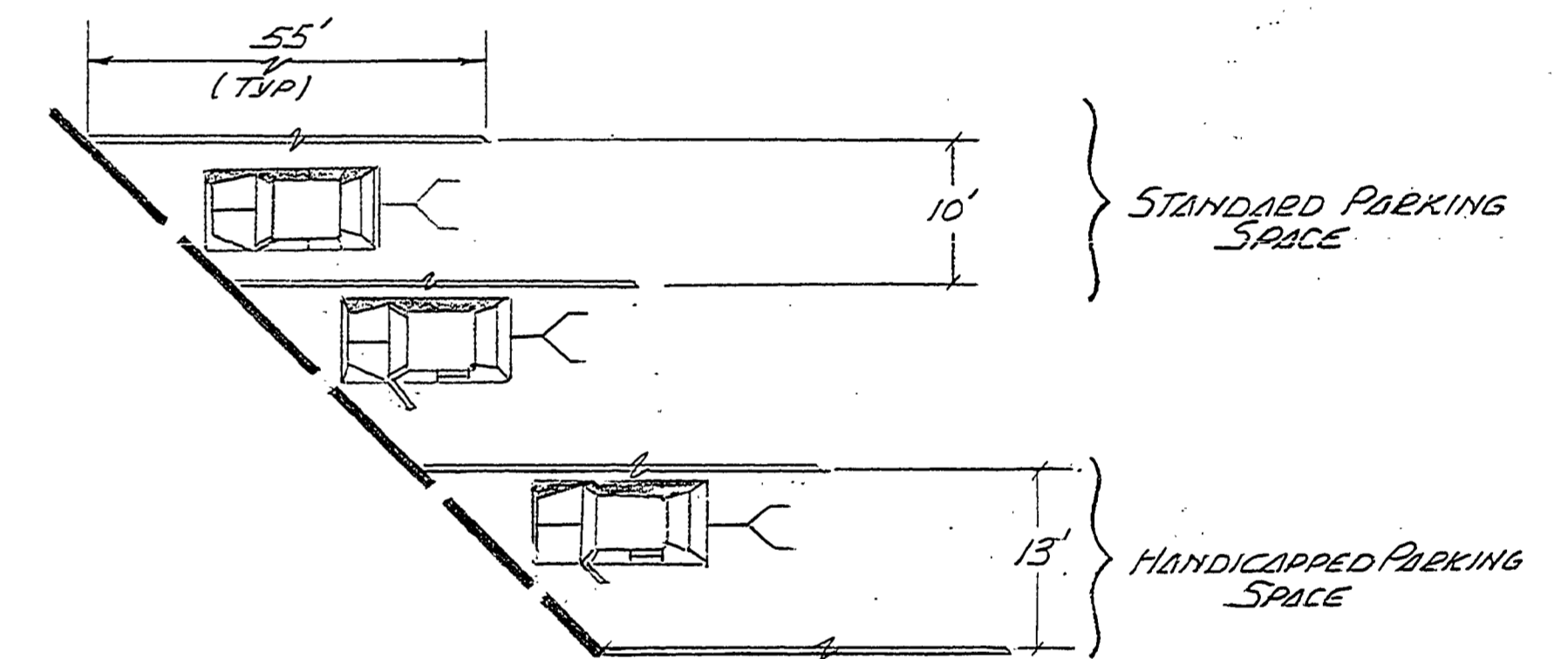


**CONSTRUCTION NOTES:**

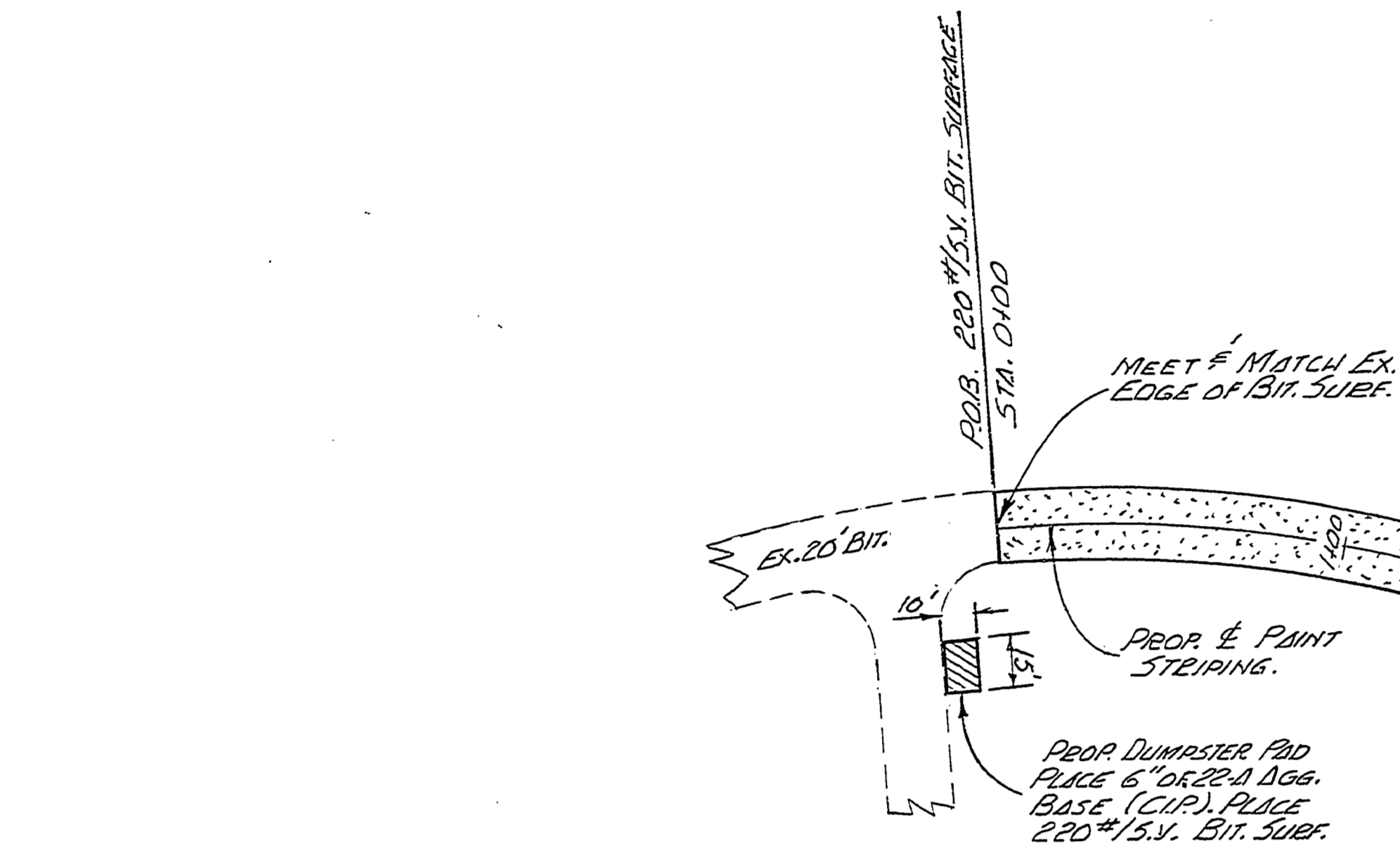
1. EARTHWORK (E) DUMPSTER SITES. ROAD WIDENING @ N. CORN. & PARKING LOT @ SERVICE AREA. EXCAVATE AREAS TO RECEIVE 6" AGG. BASE AND WASTE MATERIAL IS DIRECTED.
2. a. BASE AGGREGATE - NEW 6" BASE (CROSS HATCHED AREAS) PLACE & COMPACT.  
 b. EXISTING GRAVEL SURFACE - (DOTTED) SHAPE & COMPACT.  
 c. EXISTING GRAVEL SURFACE - (DOTTED & CROSS HATCHED) ADD 3" CONDITIONING AGG., SHAPE & COMPACT.  
 d. EXISTING BIT. SURFACE - (SHADDED) PULVERIZE EXIST. BASE, RESHAPE & COMPACT.  
 e. EXISTING BIT. SURFACE - (CROSS HATCHED & SHADDED) PULVERIZE ADD 3" OF ADDITIONAL AGG. SHAPE & COMPACT.
3. BITUMINOUS SURFACING - PLACE 220 #/SY BITUMINOUS MIXTURE NO. 1100T ON ALL PREPARED SURFACES IN PROJECT AREA. ALL DIMENSIONS & RADII SHOWN ON PLANS ARE FOR THE PROPOSED BITUMINOUS SURFACE.
4. THE 22-A SHOULDER AGG. SHALL BE APPLIED WITH AN APPROVED AGG. SPREADER. COMPACTED IN-PLACE AND SHALL FOLLOW THE PLACEMENT OF THE BIT. SURF. COURSE. DUMPING SHOULDER MATERIAL ON BIT. SURF. OR BLADING IT FROM THE BIT. SURF. ONTO THE SHOULDERS WILL NOT BE PERMITTED.
5. TREES, SHRUBS AND OTHER VEGETATION SHALL BE CAREFULLY PROTECTED FROM DAMAGE OR INJURY DURING CONSTRUCTION. ANY DAMAGE BY THE CONTRACTOR SHALL BE REPAIRED OR REPLACED BY THE CONTRACTOR. THE CONTRACTOR WILL BE RESPONSIBLE FOR ALL COST INVOLVED.
6. PAINT STRIPE - PAINT & STRIPE ON ALL SURFACED TWO-LANE ROADS, HOLDING LANE STRIPES, AND PARKING SPACE STRIPES.
7. EXISTING PRECAST CONC. CURBS TO BE REMOVED & REPLACED BY OTHERS TO BE DETERMINED BY ENGINEER.



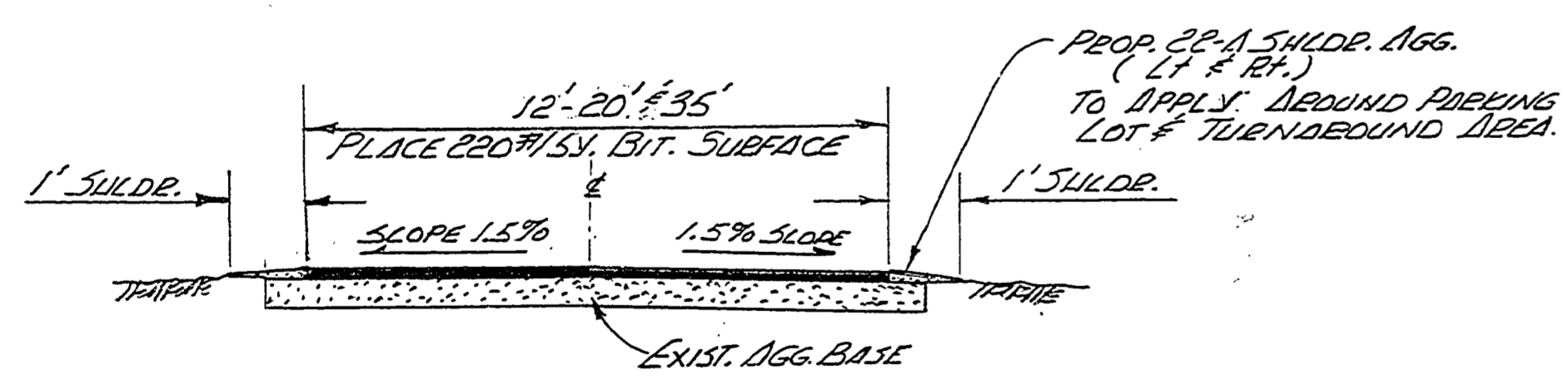
**PLAN**  
TURNAROUND TO BEACH AREA  
ON SCENIC DR.  
SCALE: 1"=40'



**PARKING SPACE DETAIL**  
(ALL SPACES ARE ANGLE PARKING)

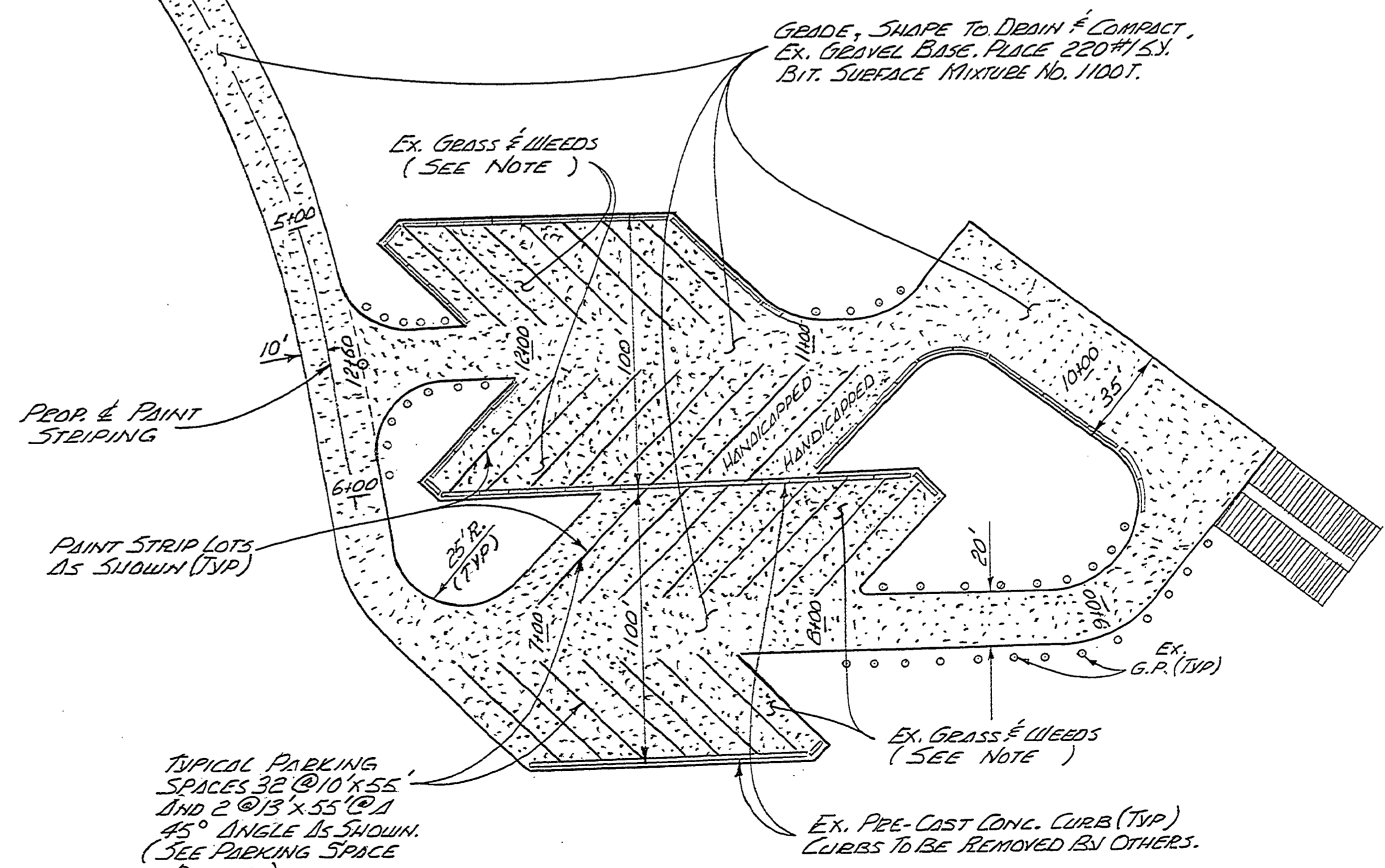


**TYPICAL SHOULDER DETAIL**



**TYPICAL SECTION**

**NOTE:**  
EXIST. GRAVEL SURFACE - GRADE, SHAPE & COMPACT.  
PLACE 220 #/SY. BIT. SURFACE MIXTURE NO. 1100T.



**PLAN**  
ROAD & BOAT LAUNCH AREA  
@ THE CHANNEL CAMPGROUND  
SCALE: 1"=40'

**NOTE:**  
**WEED CONTROL - BOAT LAUNCH PARKING LOT**  
SPRAY APPLICATION OF HERBICIDE SHOULD BE ON A SPRAY TO WET BASIS, OBTAINING UNIFORM COVERAGE BUT NOT TO THE POINT OF RUNOFF FROM FOLIAGE.  
DO NOT APPLY WHEN RAINFALL IS IMMINENT - WITHIN SIX HOURS.  
TO AVOID SPRAY DRIFT DO NOT APPLY HERBICIDE WHEN WINDS ARE GUSTY OR ABOVE 5 MPH.  
NO WORK IS TO START ON AREAS THAT HAVE BEEN SPRAYED FOR AT LEAST 7 TO 10 DAYS.  
ALL EX. PRE-CAST CONC. CURBS TO BE REMOVED (BY OTHERS) BEFORE SPRAY APPLICATION OF HERBICIDE IS APPLIED.

SURVEYED BY	MOGANA-LEMMON	BB	DRAWN BY	LEMMON	BB	NO.	DATE	BY	REVISIONS	NO.	DATE	BY	REVISIONS	MICHIGAN DEPARTMENT OF NATURAL RESOURCES	PLAN SHEET TITLE	MUSKEGON STATE PARK AREA OR PARK	PROJECT NO.	24-2643
DESIGNED BY	LEMMON	BB	CHECKED BY			1.				3.						BITUMINOUS SURFACING	SHEET 2 OF 2	PLAN NO. E-124
						2.				4.								