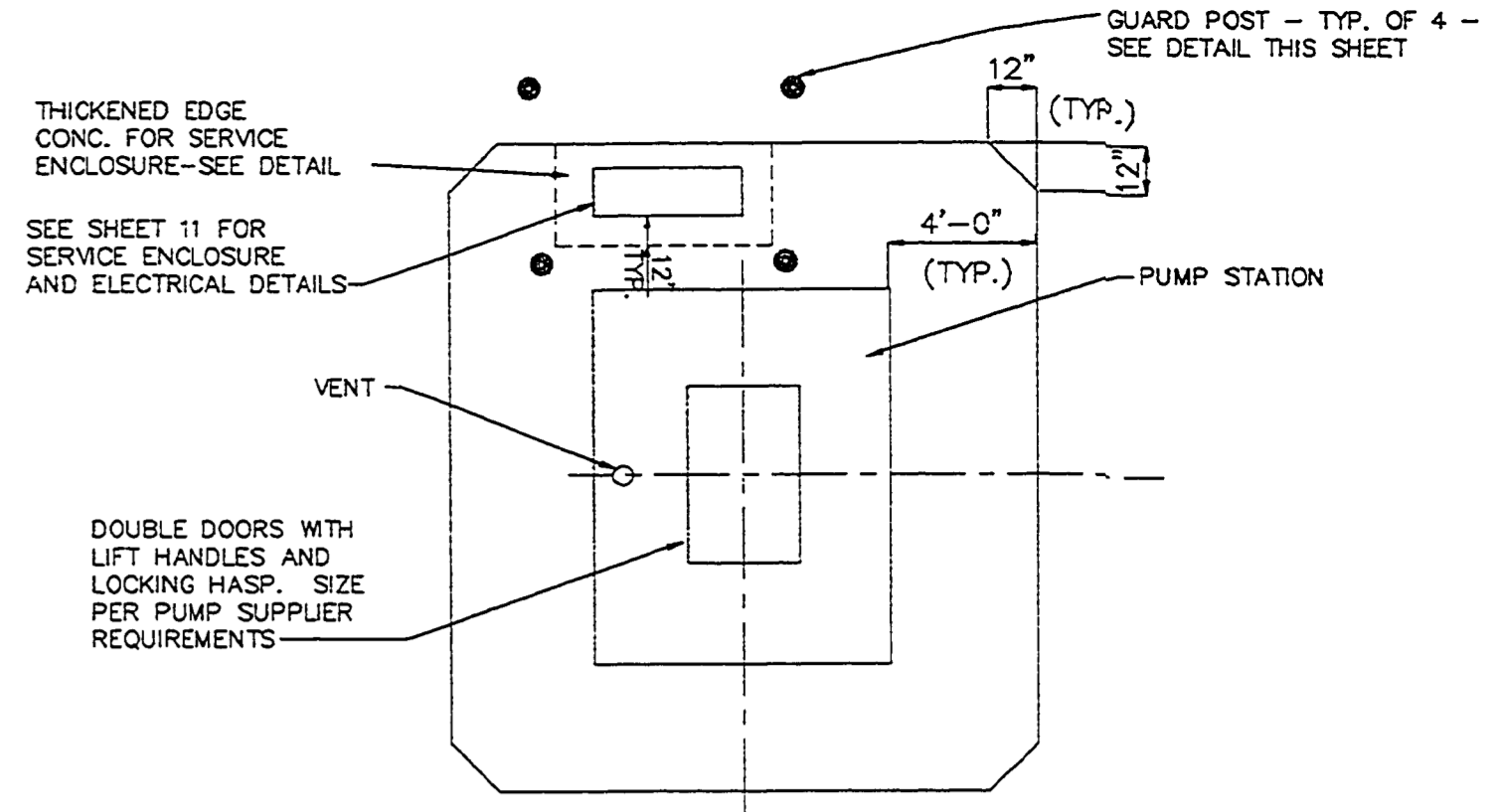
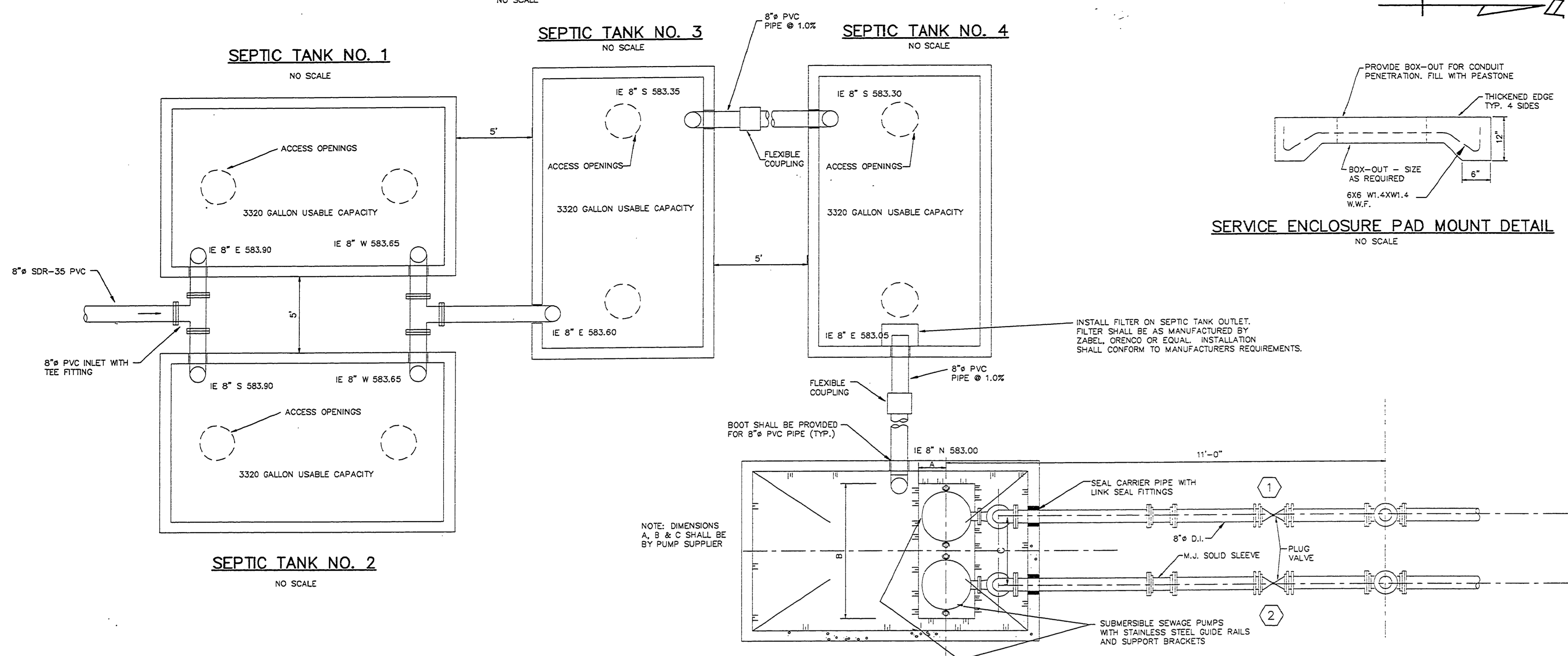
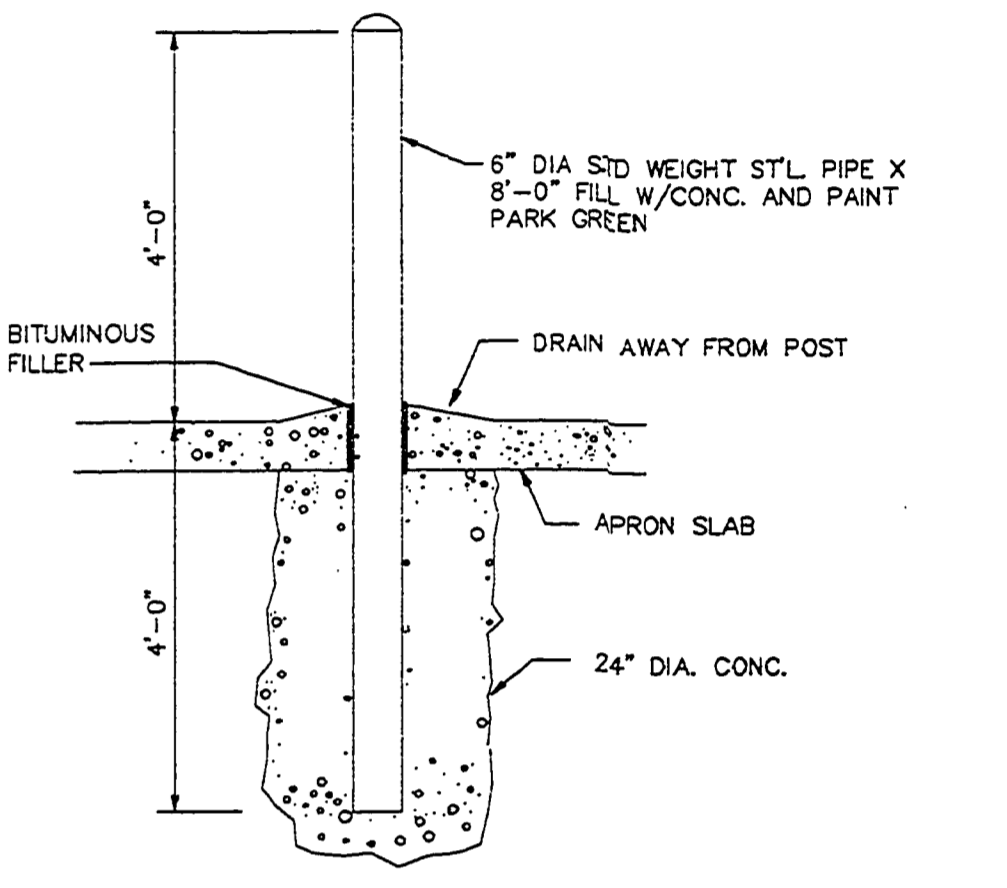


PUMP STATION WET WELL PLAN

NO SCALE

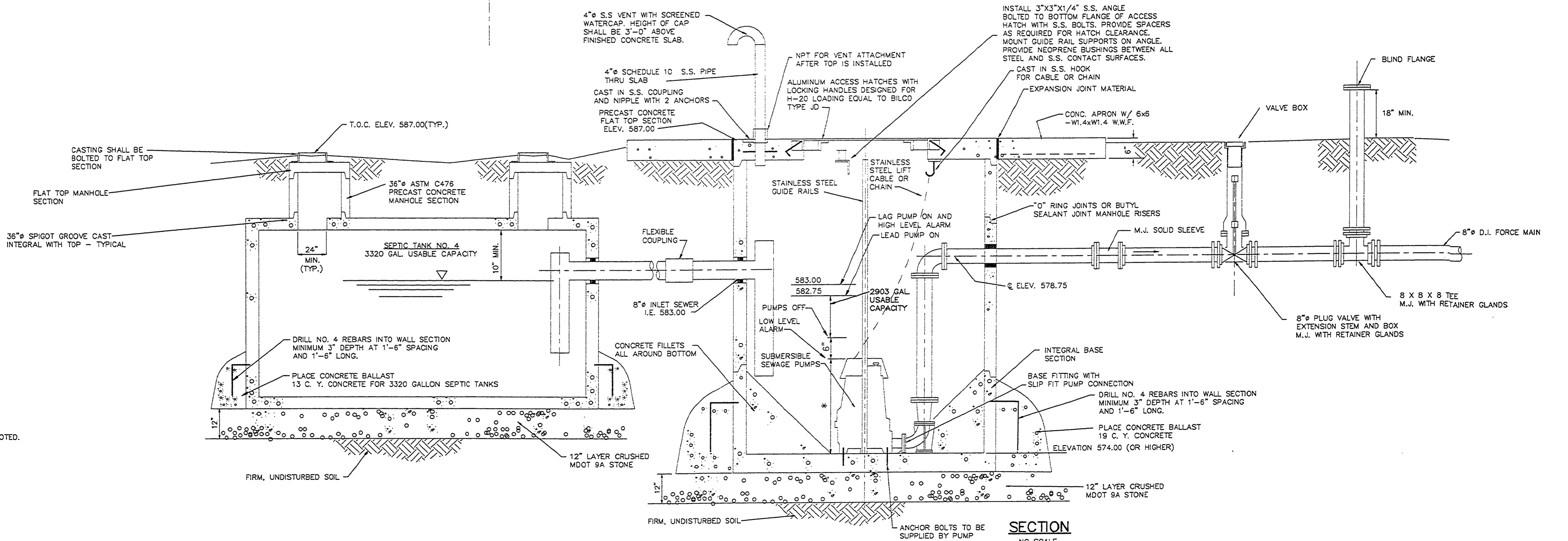


TOP VIEW - PUMP STATION & CONCRETE APRON
NO SCALE



GUARD POST DETAIL
NO SCALE

NOTE: DIMENSIONS A, B & C SHALL BE BY PUMP SUPPLIER



SECTION
NO SCALE

- GENERAL NOTES:**
1. THE SEPTIC TANKS SHALL BE PRECAST CONSTRUCTION WITH INTEGRAL BASES AS MANUFACTURED BY ADVANCED CONCRETE PRODUCTS OR EQUAL.
 2. THE USABLE CAPACITY IN THE TWO SEPTIC TANKS IS THE VOLUME CONTAINED BELOW THE TANK OUTLET ELEVATION.
 3. MANHOLE COVERS IN SEPTIC TANKS SHALL BE EXTENDED TO GROUND SURFACE AND SHALL BE E.J.I.W. 1060 WT OR EQUAL.
 4. SEPTIC TANKS SHALL BE CONSTRUCTED WITH RUBBER BOOTS AT ALL PIPE OPENINGS. "KOR-N-SEAL" OR EQUAL UNLESS OTHERWISE NOTED.
 5. ACCESS OPENINGS ABOVE SEPTIC TANK TO CASTING SHALL BE CONSTRUCTED WITH 36" PRECAST MANHOLE SECTIONS. STAINLESS STEEL THREADED RODS SHALL BE UTILIZED TO CONNECT CASTING TO PRECAST FLAT TOP MANHOLE SECTION.
 6. OUTLET PIPE FOR SEPTIC TANK SHALL EXTEND INTO MIDDLE THIRD OF THE LIQUID LEVEL.

FILE NO. 11-09-94
DATE: 11-09-94
UPDATED BY: LJS

DRN BY: LJS	IDENTIFICATION NO. PROJECT - MUSKEGON	ISSUED FOR: PRELIMINARY	DATE: 7-21-94		QUALITY OF LIFE RECREATION BOND MICHIGAN DEPARTMENT OF NATURAL RESOURCES PARKS DIVISION - STATE ACCT. NO. 607-75-2450-400	MUSKEGON STATE PARK CAMPGROUND WASTEWATER SYSTEM SEPTIC TANKS & PUMP STATION DETAILS	SCALE: AS SHOWN
DESIGN BY: LJS	STATE ACCOUNT	CONSTRUCTION	DATE: 11-09-94				PROJ. NO.: 91159
APP'D BY: GDA	607-75-2450-400	FINAL RECORD					SHEET 10 OF 21