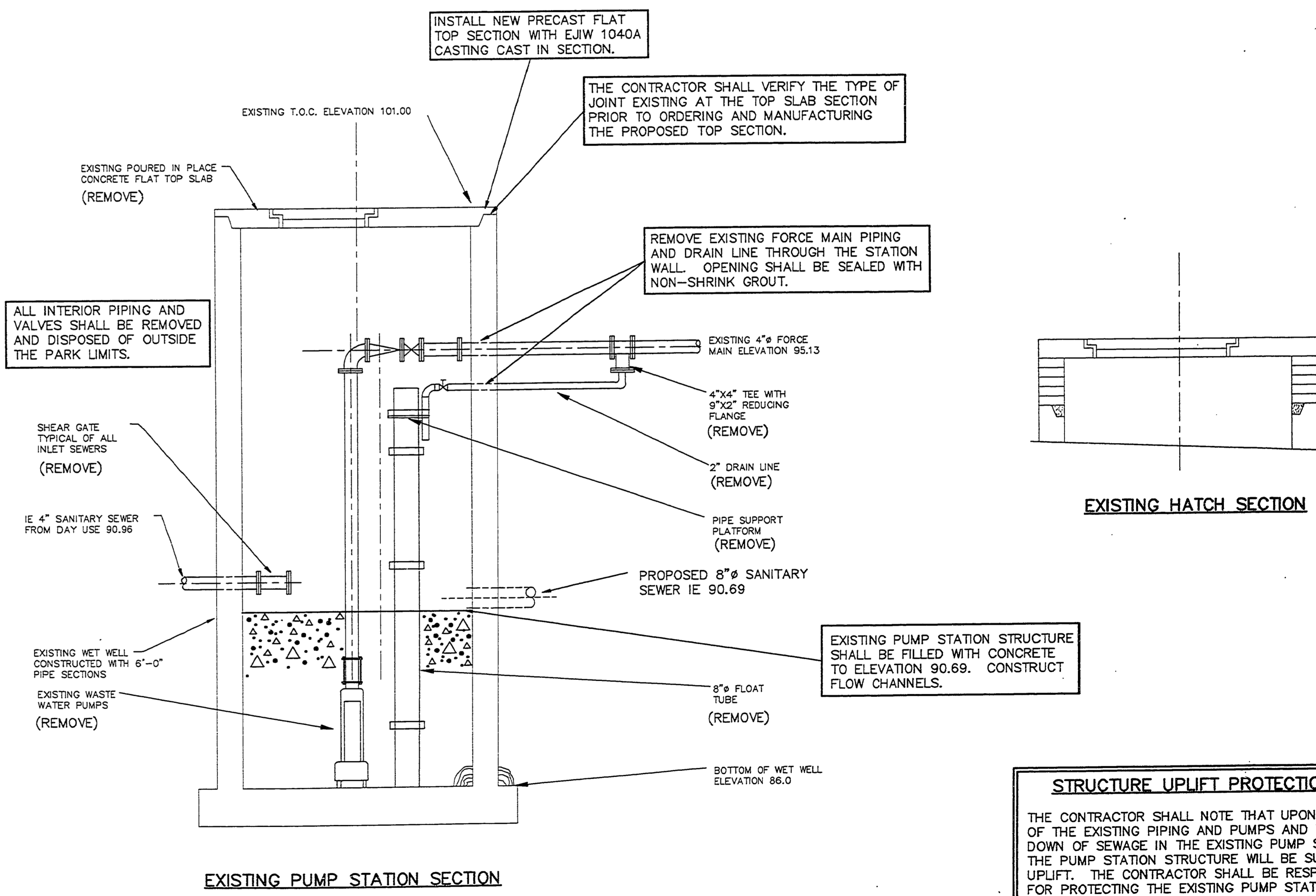
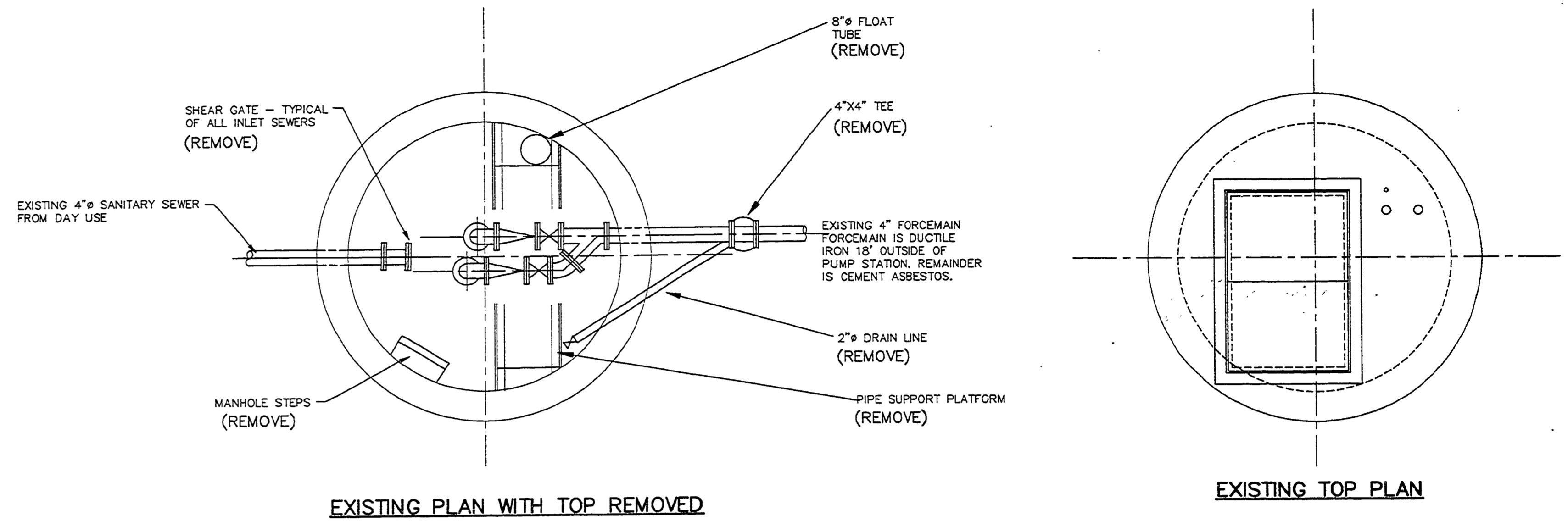


PUMP STATION SITE MAP
SCALE: 1"=20'

GENERAL CONSTRUCTION NOTES

1. THE CONTRACTOR SHALL MAINTAIN SANITARY SERVICE DURING CONSTRUCTION OF THE PROPOSED IMPROVEMENTS. THE CONTRACTORS PROPOSED MEANS OF MAINTAINING SERVICE SHALL BE REVIEWED BY THE PROJECT MANAGER PRIOR TO CONSTRUCTION.
2. EQUIPMENT AND PIPING REMOVED FROM THE EXISTING PUMP STATION SHALL BE REMOVED FROM THE SITE WITHIN THE SAME WORKING DAY.
3. DISTURBED AREAS SHALL BE TOPSOILED, SEED, AND MULCHED IN ACCORDANCE WITH THE SPECIFICATIONS.
4. EXISTING PIPE WALL PENETRATIONS WHICH ARE REMOVED SHALL BE SEALED USING NON-SHRINK GROUT.
5. HOLES FOR NEW PIPE PENETRATIONS IN THE EXISTING STRUCTURE SHALL BE CORED.
6. JOINTS IN THE EXISTING STRUCTURE SHALL BE GROUTED.
7. DEMOLITION SHALL NOT BE COMPLETED PRIOR TO ACCEPTANCE OF NEW WASTEWATER SYSTEM AND WRITTEN APPROVAL OF PROJECT MANAGER.



EXISTING HATCH SECTION

STRUCTURE UPLIFT PROTECTION

THE CONTRACTOR SHALL NOTE THAT UPON REMOVAL OF THE EXISTING PIPING AND PUMPS AND THE PUMPING DOWN OF SEWAGE IN THE EXISTING PUMP STATION, THE PUMP STATION STRUCTURE WILL BE SUBJECT TO UPLIFT. THE CONTRACTOR SHALL BE RESPONSIBLE FOR PROTECTING THE EXISTING PUMP STATION STRUCTURE DURING CONSTRUCTION AND SHALL SUBMIT HIS PROPOSED METHOD OF PROTECTING THE STRUCTURE FROM UPLIFT TO THE PROJECT MANAGER FOR REVIEW.

FILE NO.: 1158693
PLOT DATE: 9-21-94
UPDATED BY: LJS

DRN BY:	IDENTIFICATION NO.	ISSUED FOR	DATE
DEST. BY: LJS	PROJECT - MUSKEGON	PRELIMINARY <input checked="" type="checkbox"/>	7-21-94
CHG BY: GJF	STATE ACCOUNT	CONSTRUCTION <input checked="" type="checkbox"/>	9-23-94
APPD BY: GDA	607-75-2450-400	FINAL RECORD <input type="checkbox"/>	



STATE OF MICHIGAN
DEPARTMENT OF MANAGEMENT AND BUDGET
Office of Facilities

QUALITY OF LIFE RECREATION BOND
MICHIGAN DEPARTMENT OF NATURAL RESOURCES
PARKS DIVISION - STATE ACCT. NO. 607-75-2450-400

MUSKEGON STATE PARK
SNUG HARBOR WASTEWATER SYSTEM
EXISTING PUMP STATION DEMOLITION
SCALE: AS SHOWN
PROJ. NO.: 91159
SHEET 12 OF 21