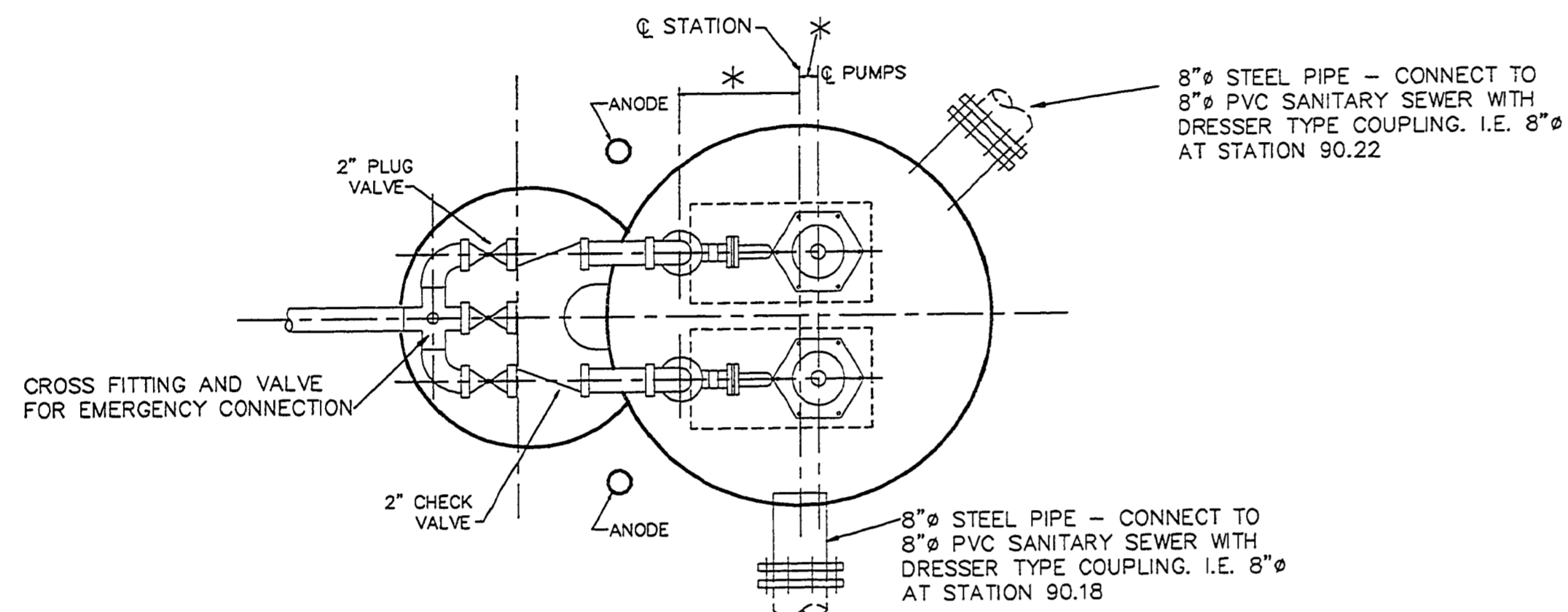
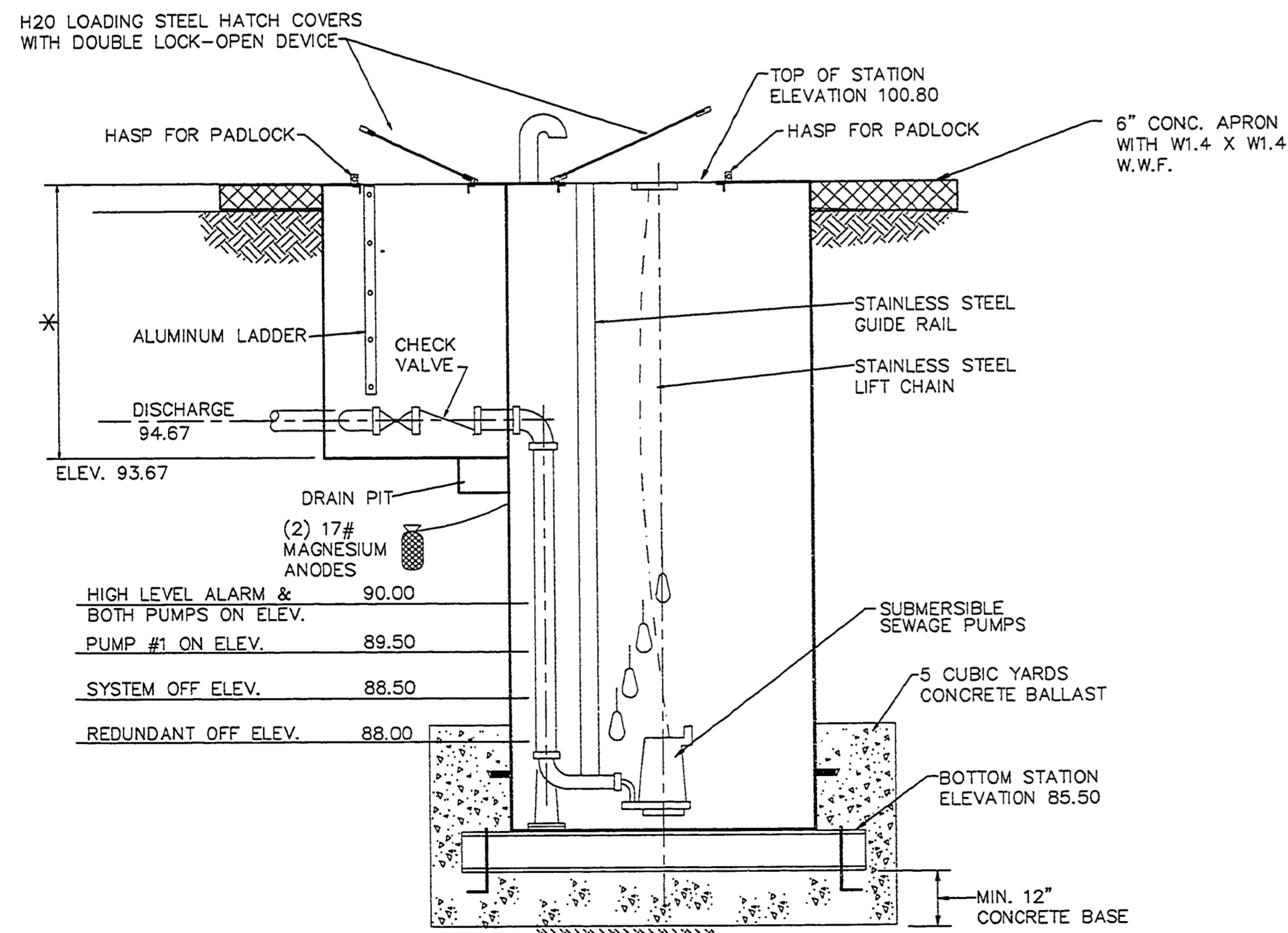


UPPER WET WELL PLAN

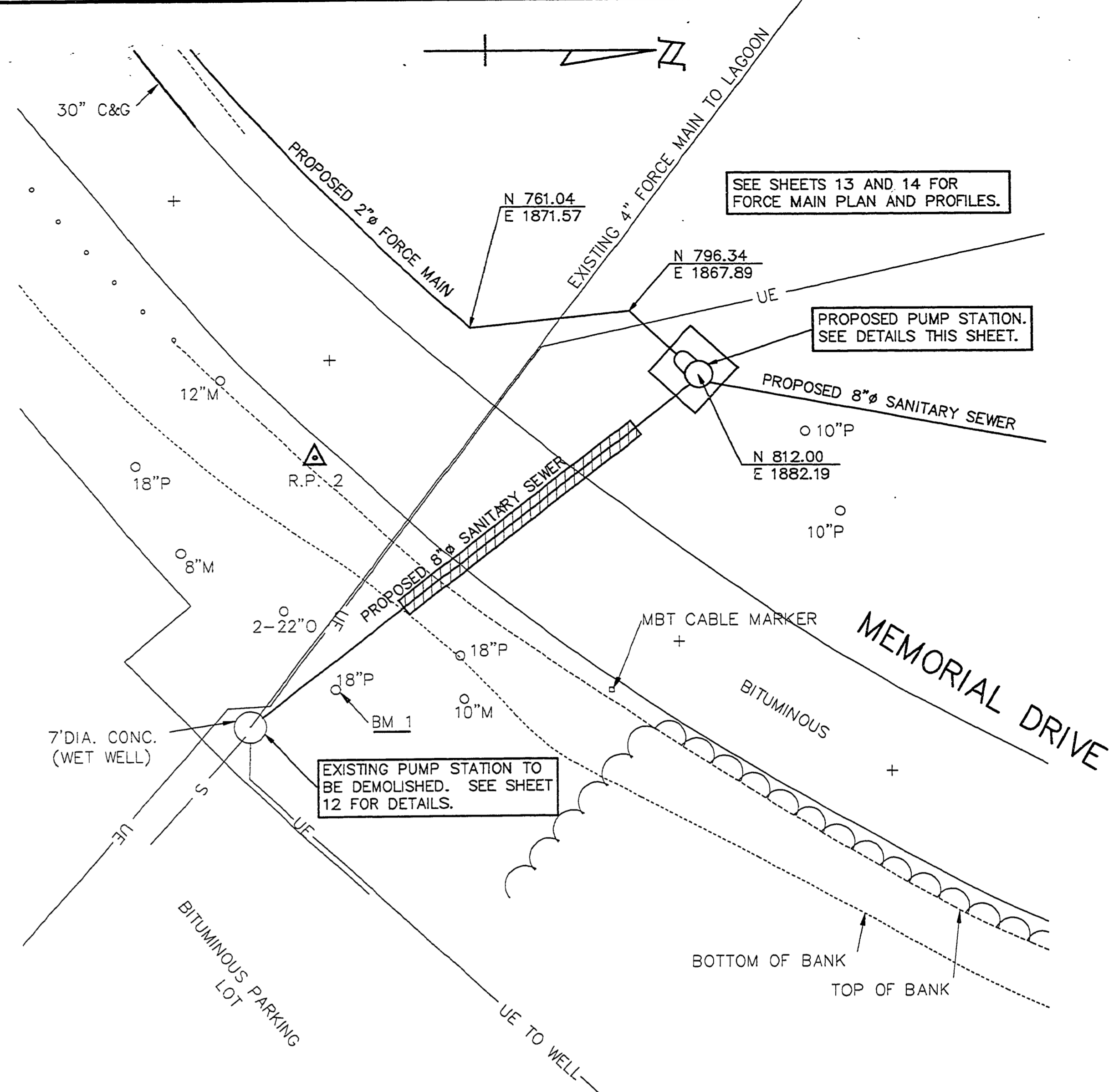


LOWER WET WELL PLAN



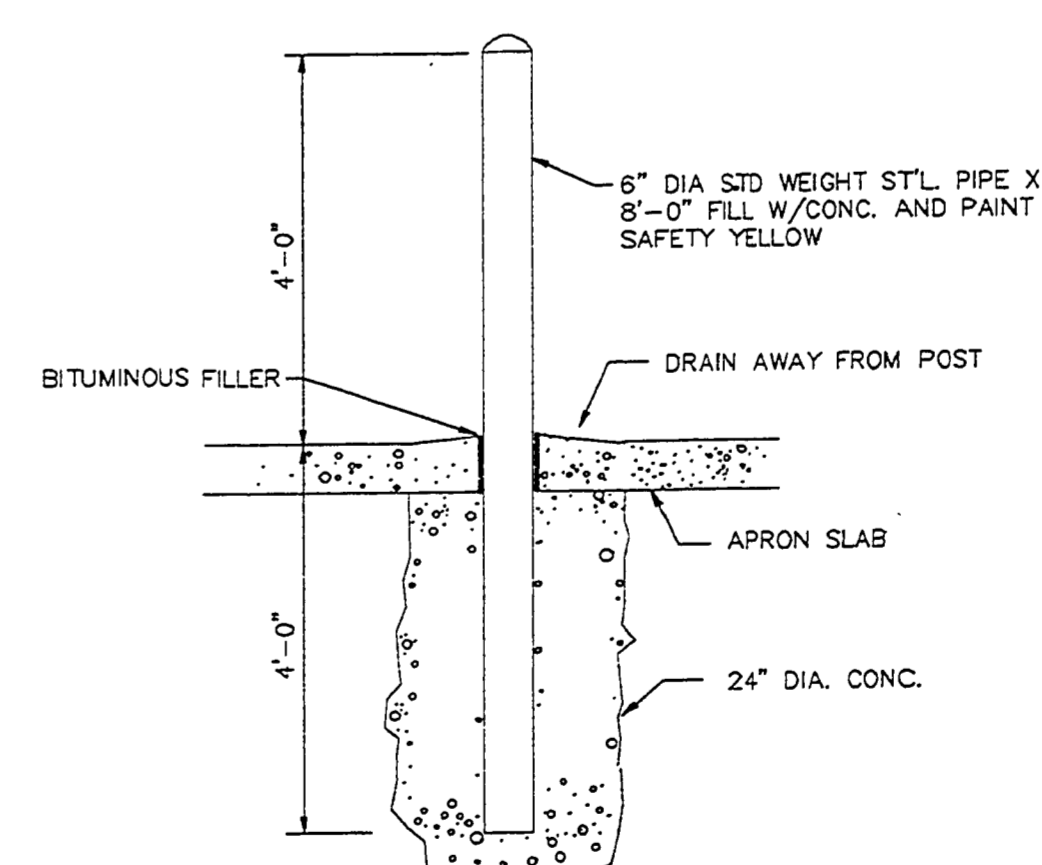
SECTION
STEEL PUMP STATION DETAILS

*PER PACKAGE PUMP STATION SUPPLIER



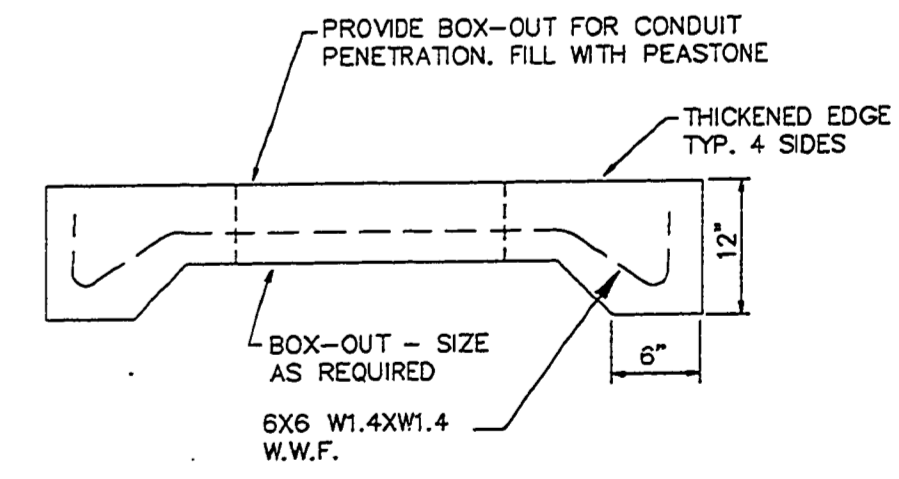
PUMP STATION SITE MAP

SCALE: 1"=20'



GUARD POST DETAIL

NO SCALE



SERVICE ENCLOSURE PAD MOUNT DETAIL

NO SCALE

DRN BY:	IDENTIFICATION NO.	ISSUED FOR	DATE
DES'D BY: LUS	PROJECT - MUSKEGON	PRELIMINARY <input checked="" type="checkbox"/>	7-21-94
CHK'D BY: GJF	STATE ACCOUNT	CONSTRUCTION <input checked="" type="checkbox"/>	9-23-94
APP'D BY: GDA	607-75-2450-400	FINAL RECORD <input type="checkbox"/>	



QUALITY OF LIFE RECREATION BOND
MICHIGAN DEPARTMENT OF NATURAL RESOURCES
PARKS DIVISION - STATE ACCT. NO. 607-75-2450-400

MUSKEGON STATE PARK
SNUG HARBOR WASTEWATER SYSTEM
PUMP STATION DETAIL AND SITE PLAN

SCALE: AS SHOWN
PROJ. NO.: 91159
SHEET 15 OF 21

FILE NO. 15959/MP
PLG. NO. 15959/21-15
UPDATED BY: LUS