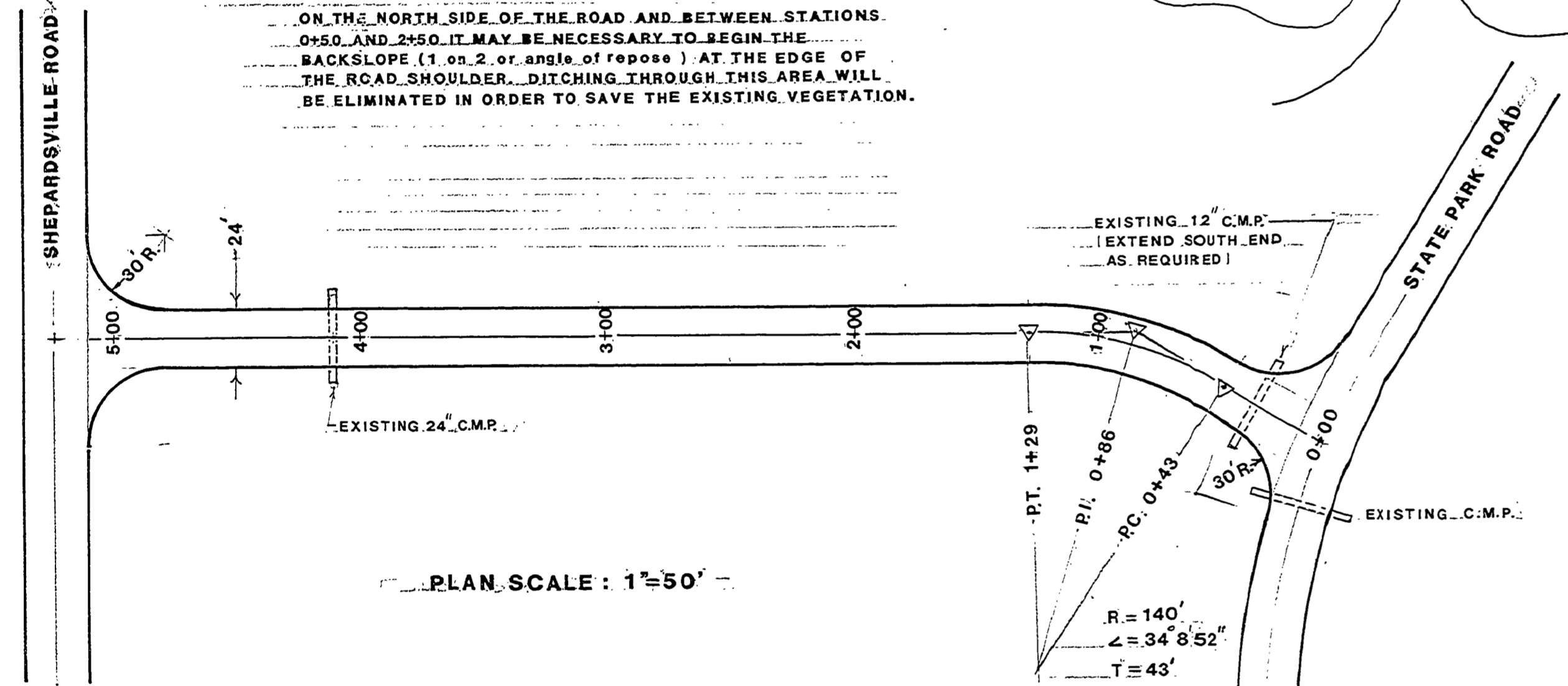


THIS PROJECT
FISH ACCESS ROAD

LAKE OVID

BOAT LAUNCH
BITUMINOUS SURFACING REQUIRED.
SEE PLAN L-119 BOAT RAMP REVISION.

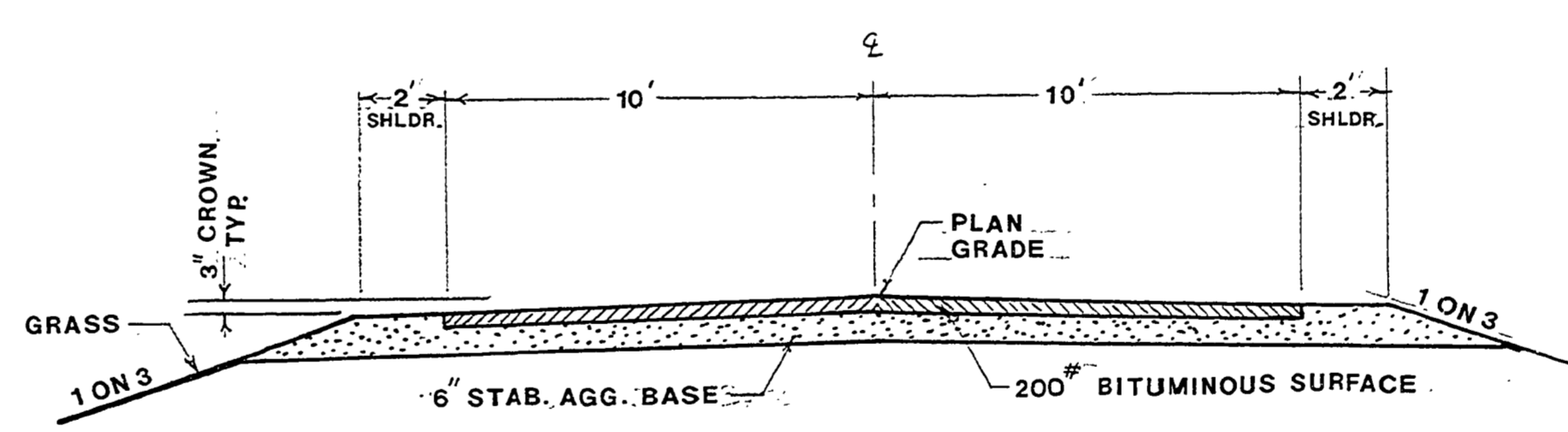
GENERAL NOTES:
ADJUST THE TWO EXISTING GATES/GATE PG STS (located at each end of the access road) AS NECESSARY.
ON THE NORTH SIDE OF THE ROAD AND BETWEEN STATIONS 0+50 AND 2+50, IT MAY BE NECESSARY TO BEGIN THE BACKSLOPE (1 on 2 or angle of repose) AT THE EDGE OF THE ROAD SHOULDER. DITCHING THROUGH THIS AREA WILL BE ELIMINATED IN ORDER TO SAVE THE EXISTING VEGETATION.



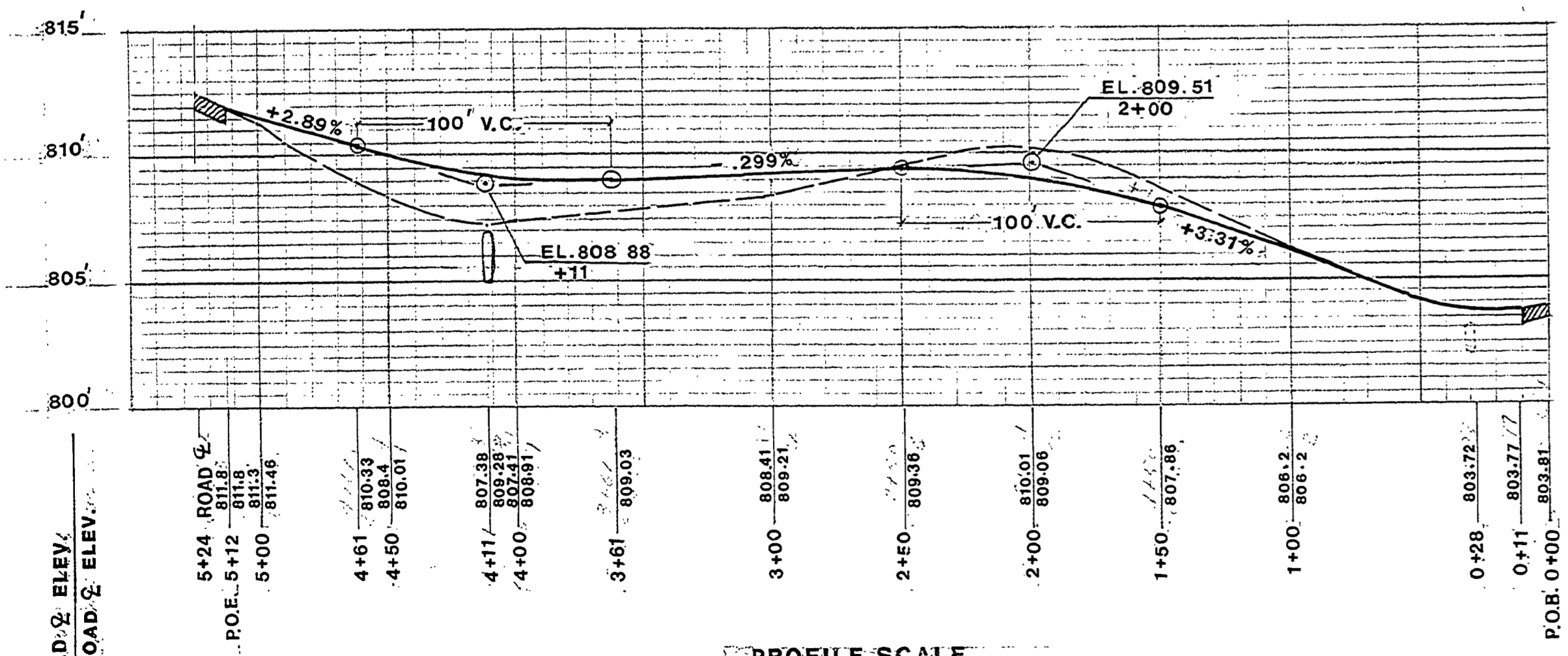
PLAN SCALE: 1"=50'



FISH ACCESS ROAD & BOAT LAUNCH
SCALE: 1"=100'

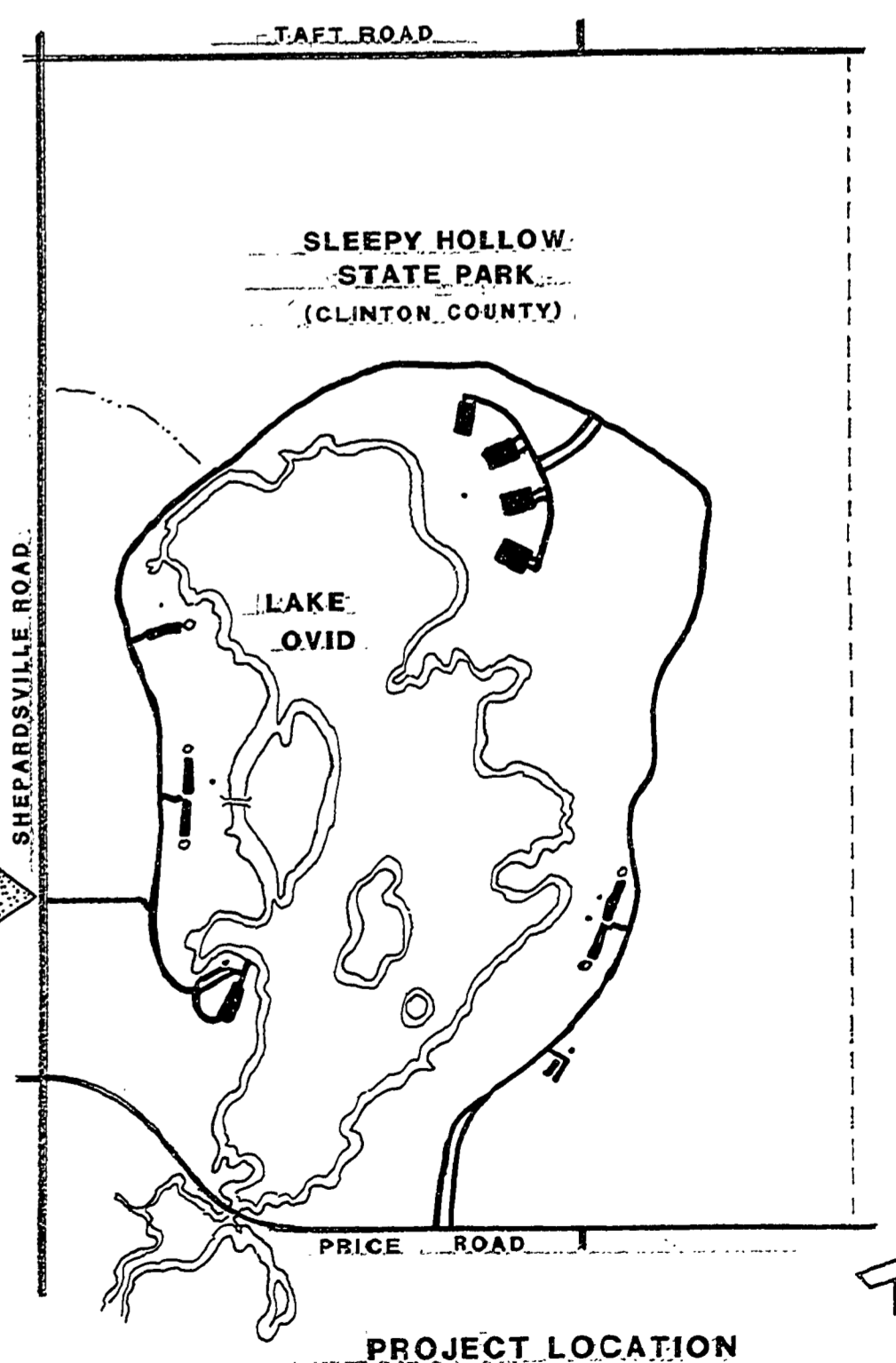


TYPICAL ROAD SECTION
SCALE: 1"=4'



PROFILE SCALE
1"=50' HORZ.
1"=5' VERT.

EX. ROAD 1/2 ELEV.
PROP. ROAD 1/2 ELEV.



PROJECT LOCATION

REVIEWED BY: _____ IN CHARGE, PROGRAM PLANNING _____ DATE _____
APPROVED BY: _____ CHIEF, PARKS DIVISION _____ DATE _____

| | | | | | | | | | | | | | |
|-------------|--|----------------------|--|------|-------------|--|-----------|--|--|--|---|--|----------------|
| SURVEYED BY | | DRAWN BY L.C. MILLER | | 7/85 | NO. DATE BY | | REVISIONS | | MICHIGAN DEPARTMENT OF NATURAL RESOURCES | | SLEEPY HOLLOW STATE PARK AREA OR PARK PROJECT | | PROJECT NO. |
| DESIGNED BY | | CHECKED BY | | | 1. | | | | FISH ACCESS ROAD - PLAN & PROFILE | | SHEET _____ OF _____ | | PLAN NO. L-123 |
| DATE | | DATE | | | 2. | | | | SHEET TITLE | | PROJECT | | |
| | | | | | 3. | | | | | | | | |
| | | | | | 4. | | | | | | | | |