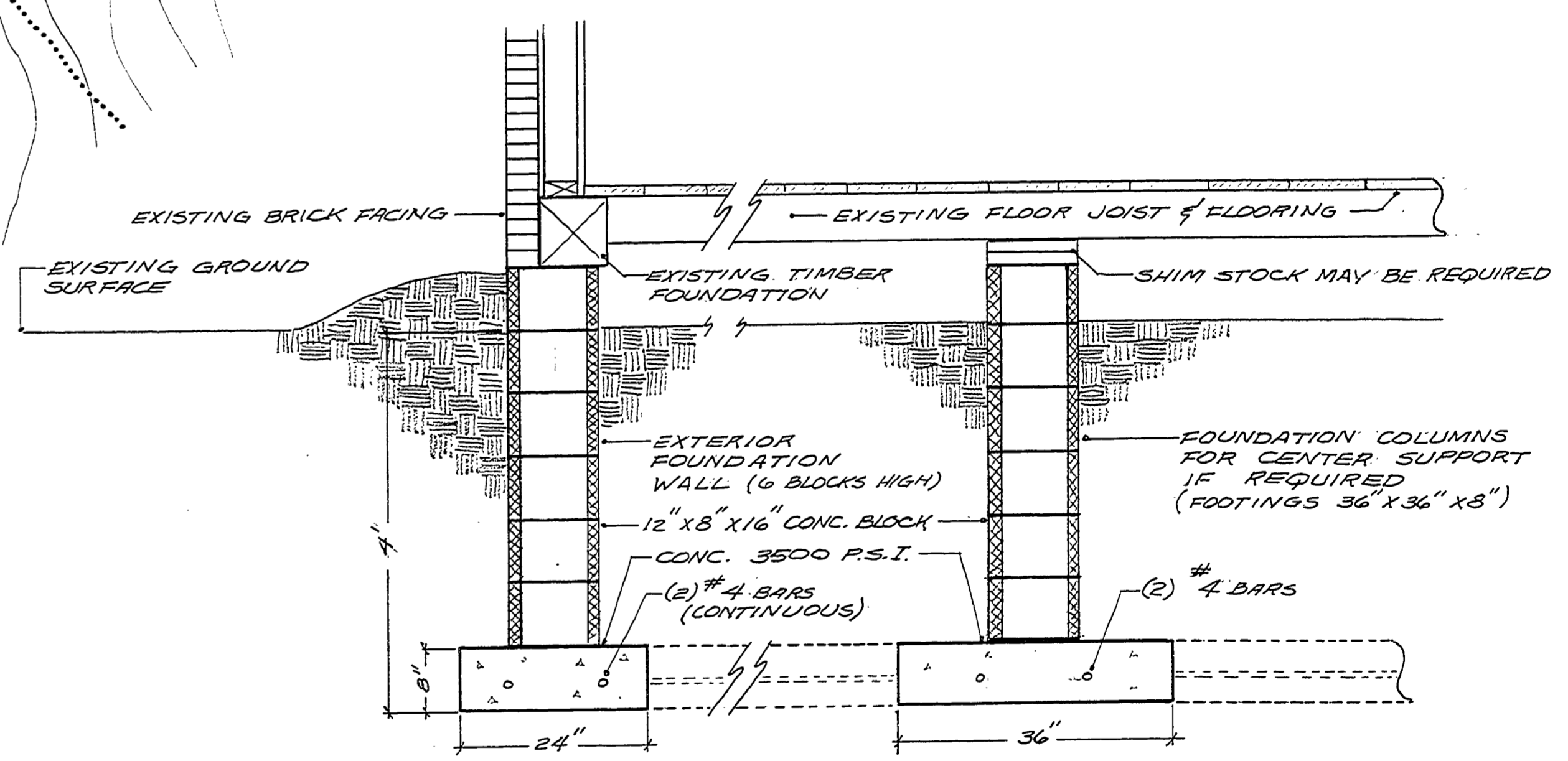
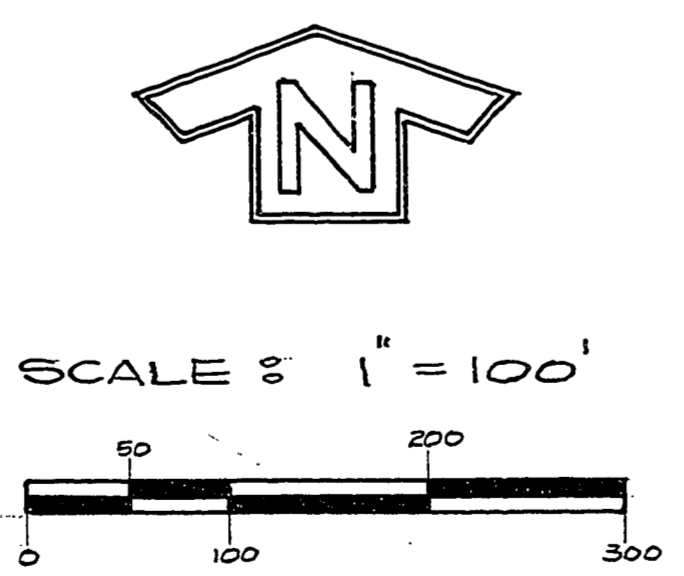
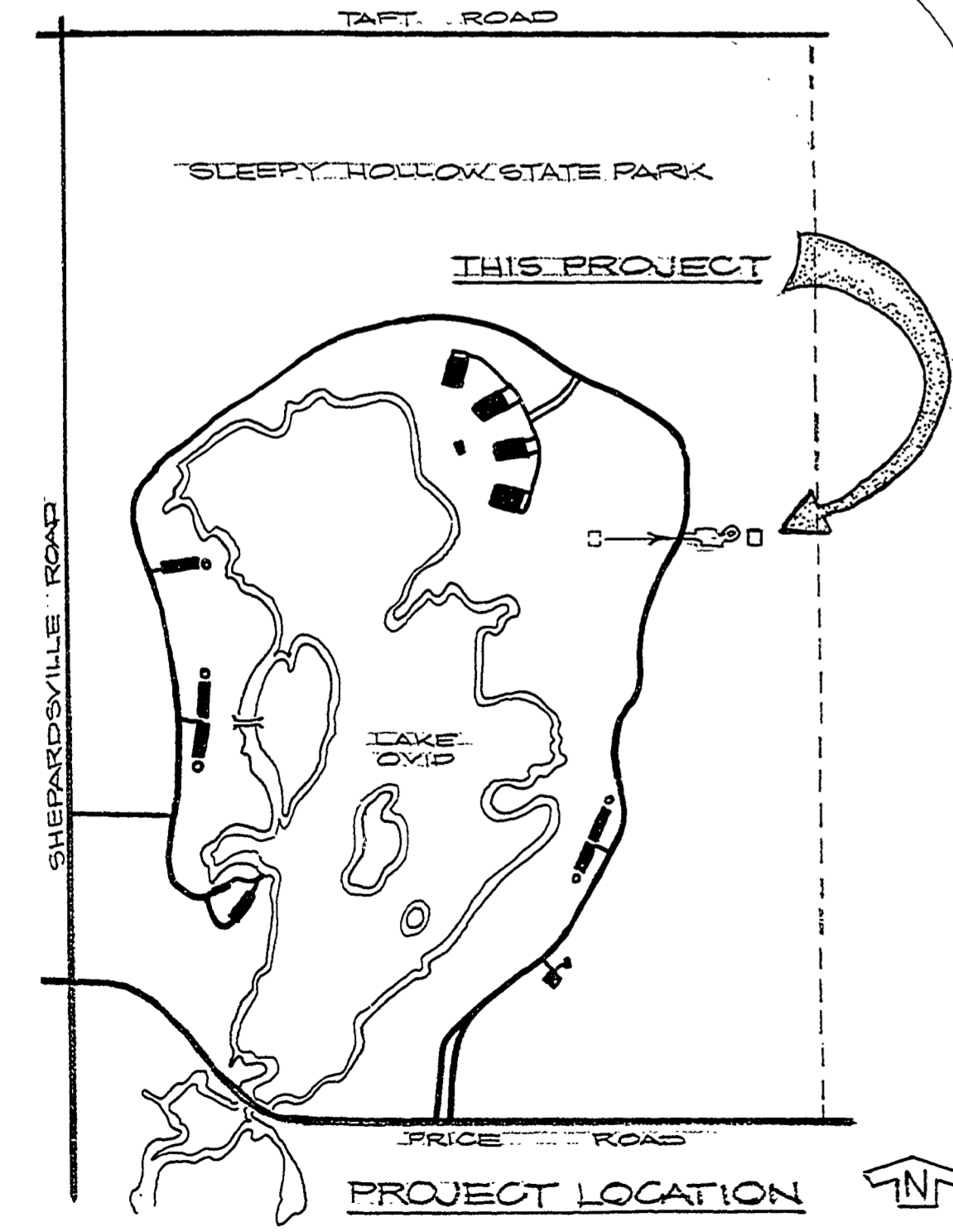


FOUNDATION PLAN
SCALE: 1/8" = 1'-0"



FOUNDATION SECTION
SCALE: 3/4" = 1'-0"



REVIEWED BY: Henry H. van Buren 4-16-85
IN CHARGE, PROGRAM PLANNING DATE

APPROVED BY: Jack Putterlick 4-16-85
CHIEF, PARKS DIVISION DATE

SURVEYED BY	DRAWN BY: L.C. MILLER 4-85	NO.	DATE	BY	REVISIONS	NO.	DATE	BY	REVISIONS	MICHIGAN DEPARTMENT OF NATURAL RESOURCES	SCHOOL HOUSE RELOCATION	SLEEPY HOLLOW STATE PARK AREA OR PARK PROJECT	PROJECT NO.
DESIGNED BY	CHECKED BY	1.				3.					SHEET TITLE	PROJECT	SHEET OF
	DATE	2.				4.							PLAN NO. L-122