

DR. HEAD DETAIL H 1

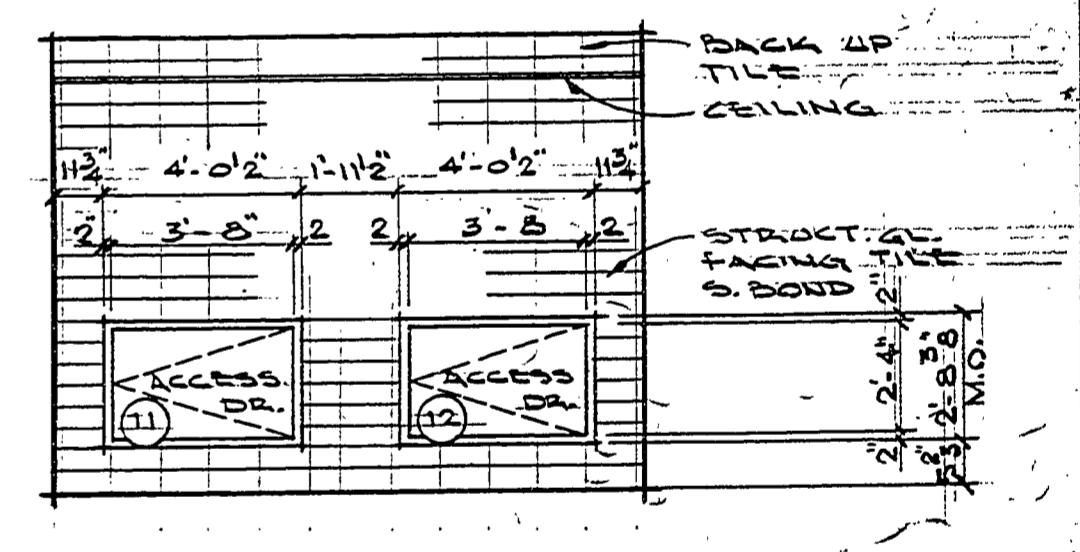
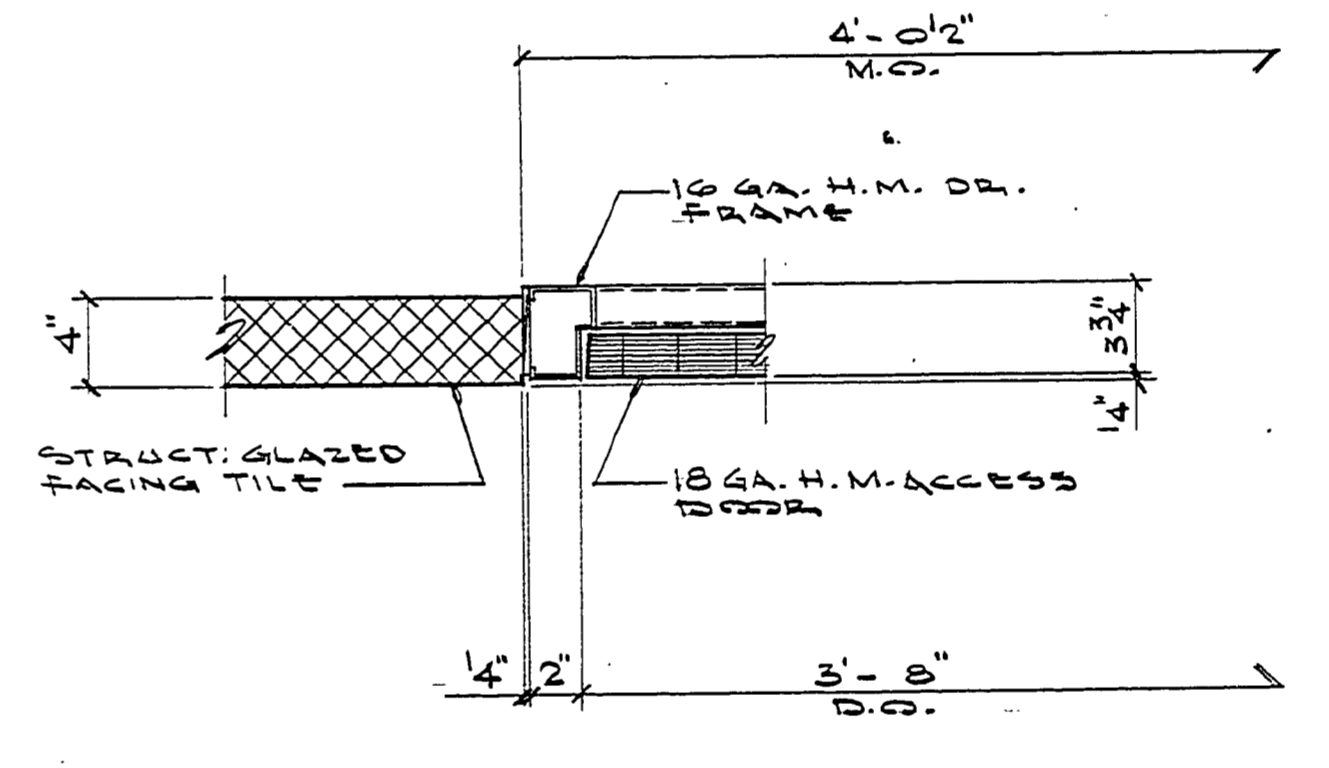
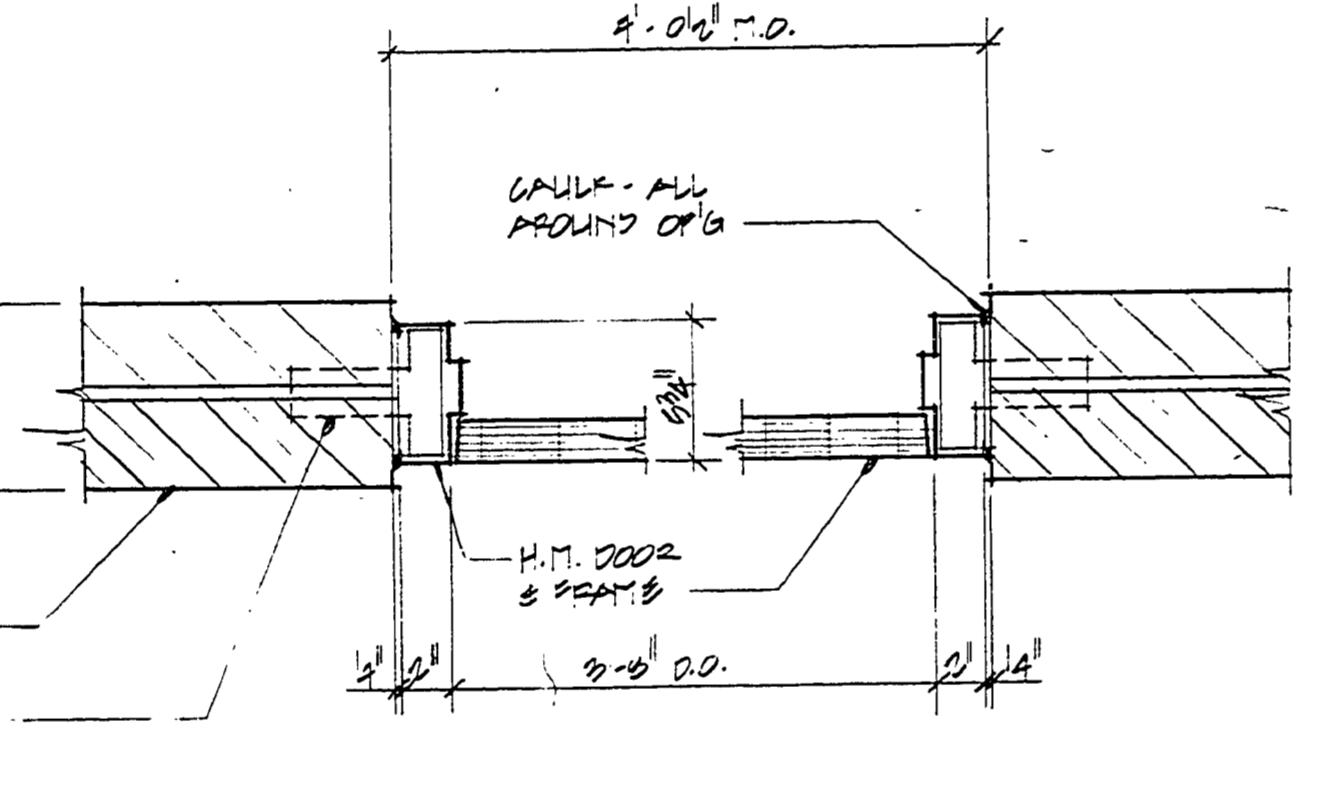
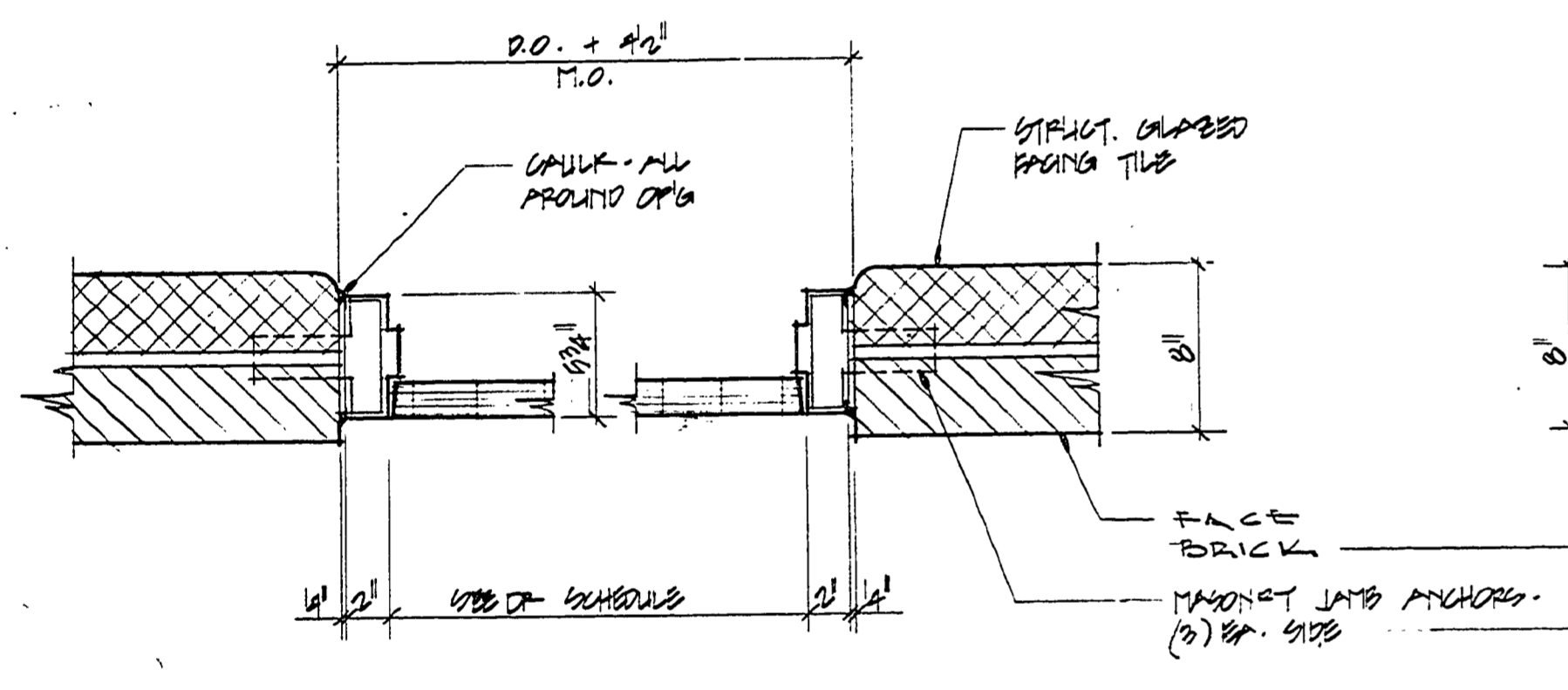
DR. HEAD DETAIL H 2

TYPICAL SHOWER END WALL DETAIL 21

ACCESS DR. HEAD DETAIL H 4

CONTROL JOINT 23

1/2\"/>



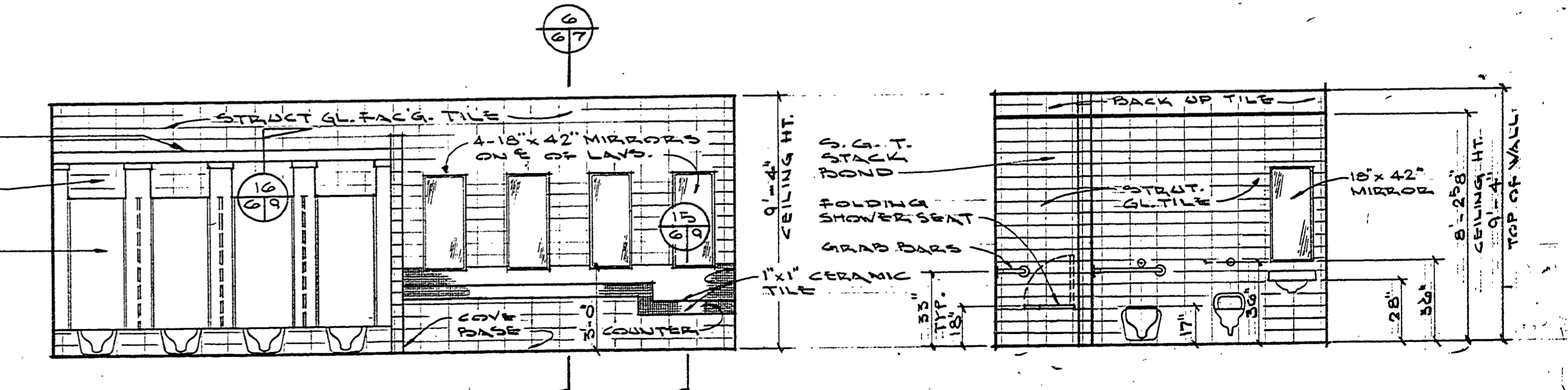
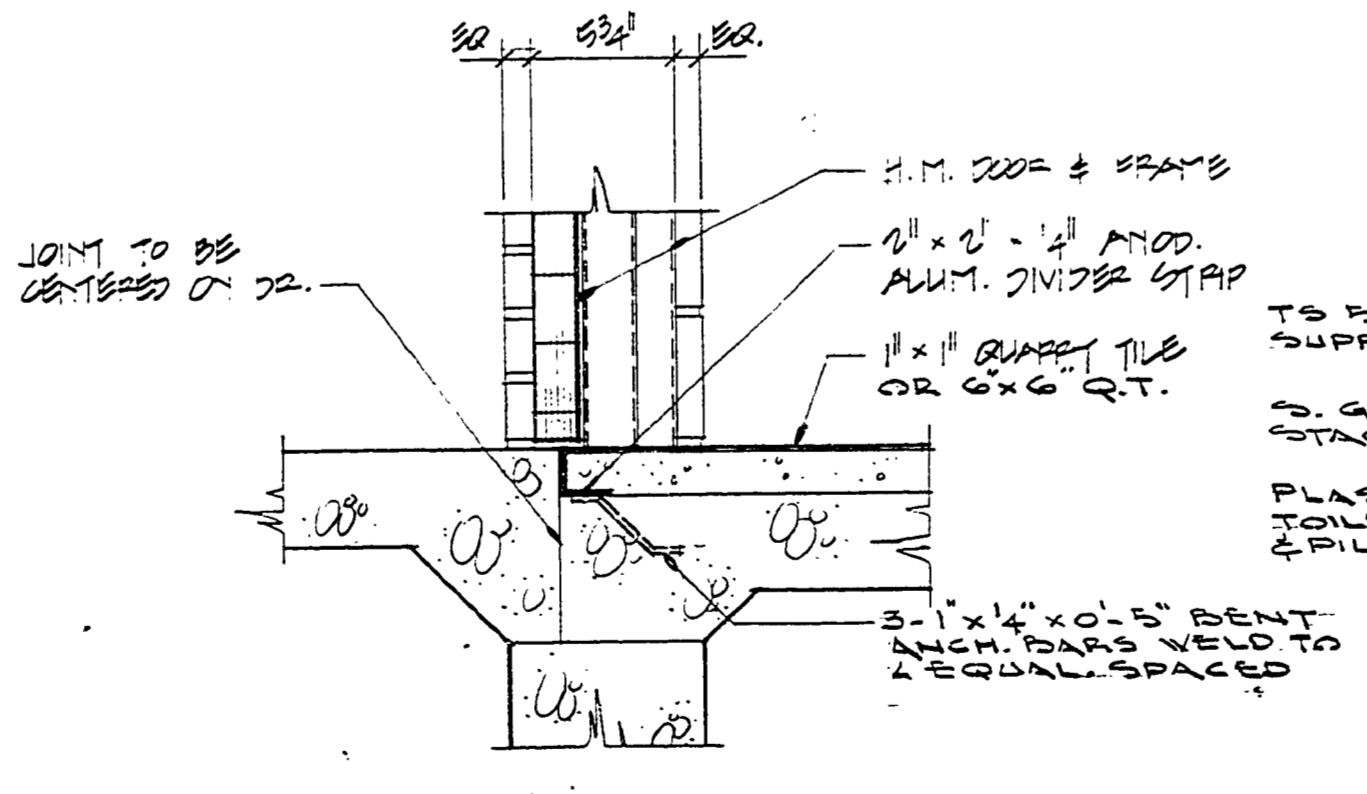
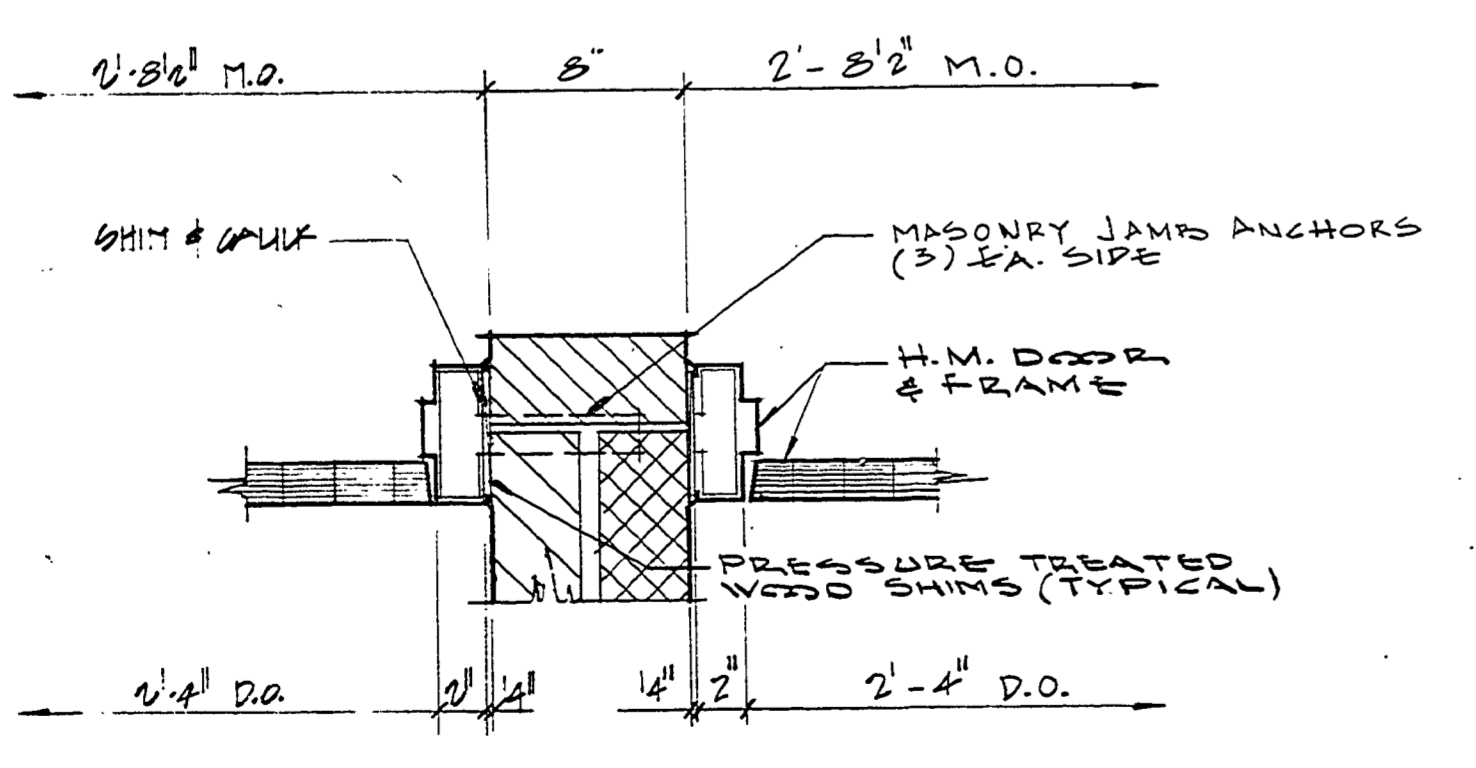
DR. JAMB DETAIL J 1

DR. JAMB DETAIL J 2

ACCESS DR. JAMB DETAIL J 4

RM. #3 LOOKING S

1/2\"/>



DR. JAMB DETAIL J 3

THRESHOLD DETAIL T 1

ROOM #4 LOOKING NORTH

RM. #3 LOOKING N

1/2\"/>

SURVEYED BY	DRAWN BY	DATE	NO.	DATE	BY	REVISIONS
			1.			
			2.			

MICHIGAN DEPARTMENT OF NATURAL RESOURCES	DOOR DETAILS & ELEVATIONS	SLEEPY HOLLOW STATE PARK TOILET & SHOWER BLDG. PROJECT NORTH CAMPGROUND	PROJECT NO. 24-2585
	SHEET TITLE		SHEET 21 OF 21 PLAN NO. A-104