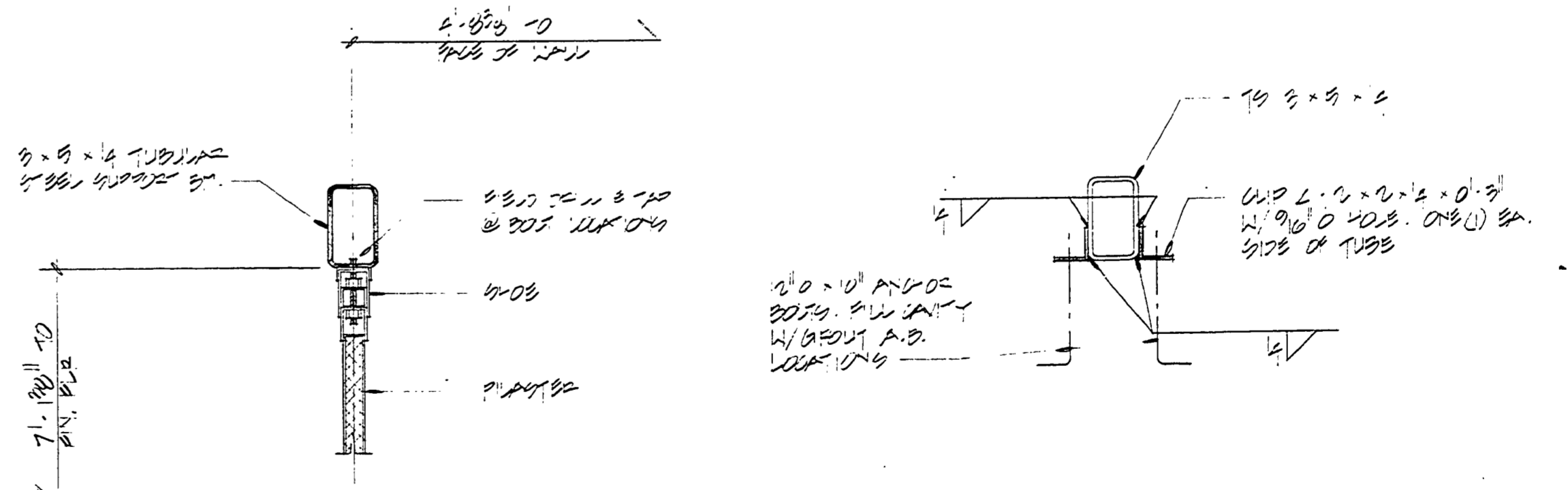
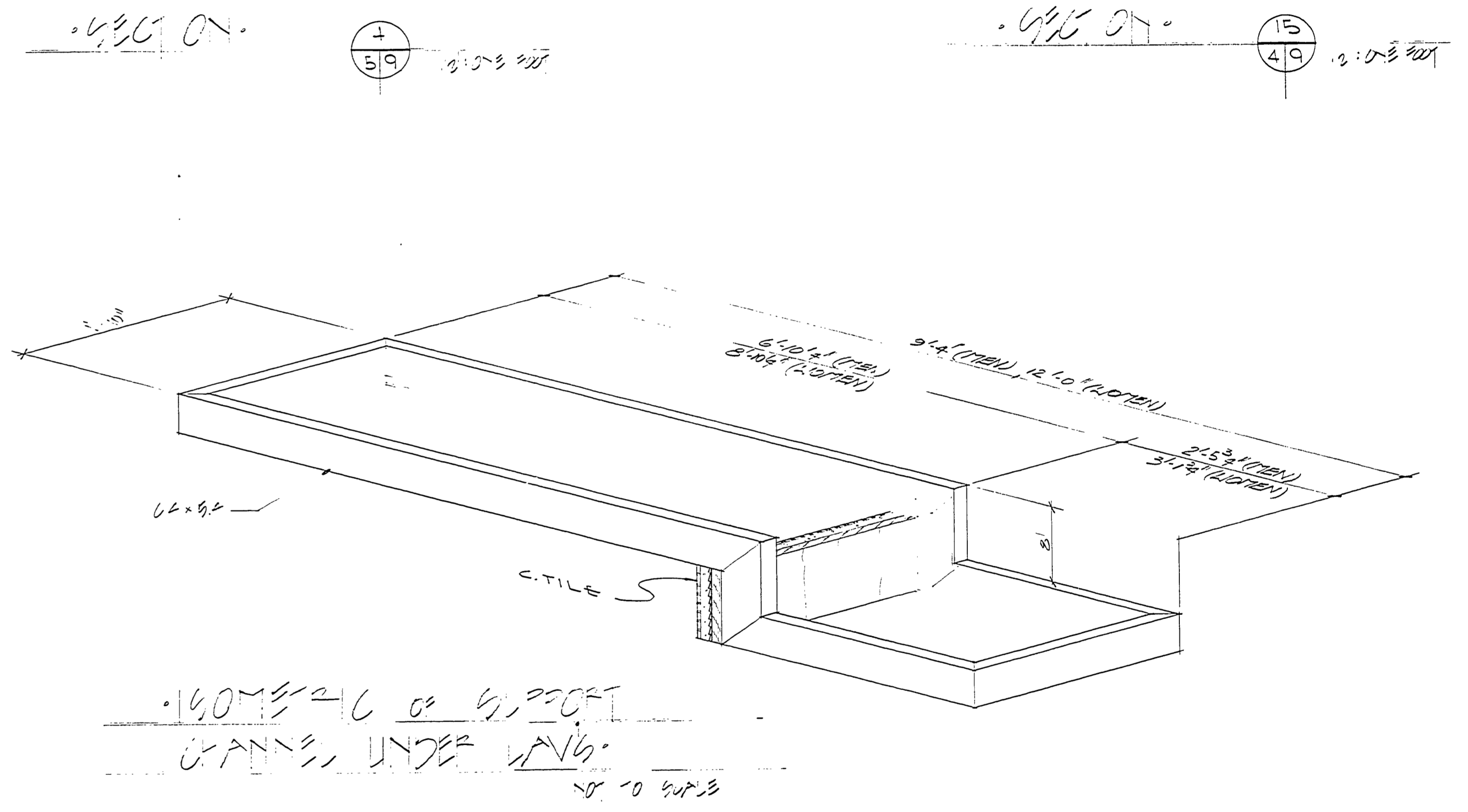
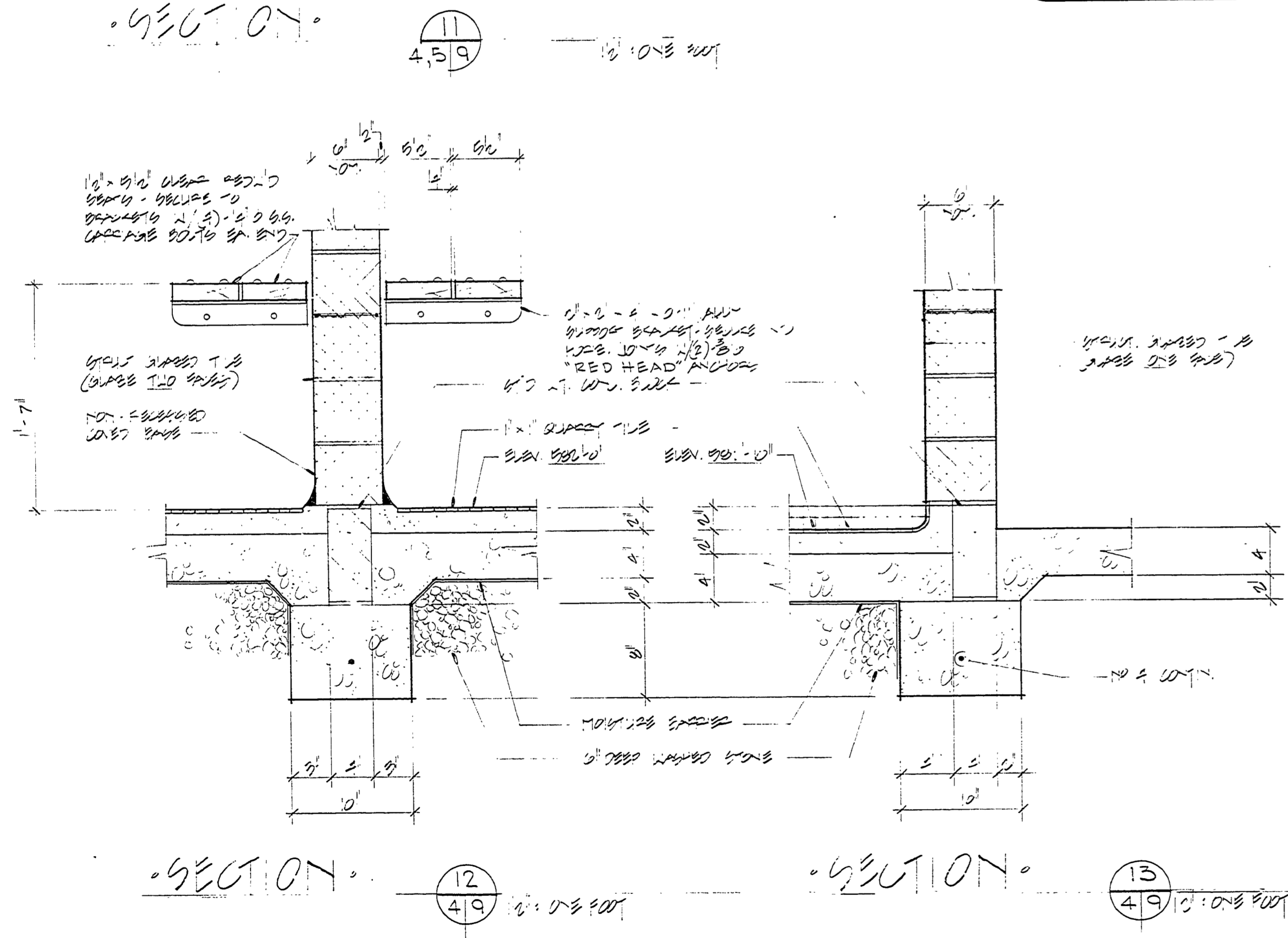


**NOTE: ANCHORS**  
 ALL CM. SHOWED  
 WITH CHAINED LAY  
 WITH 1\"/>



**TYP. END BEARING  
 DET. FOR GIL TUBES**

SURVEYED BY		DRAWN BY		NO. DATE BY		REVISIONS		NO. DATE BY		REVISIONS		MICHIGAN DEPARTMENT OF NATURAL RESOURCES		SLEEPY HOLLOW STATE PARK TOILET & SHOWER BLDG. PROJECT NORTH CAMPUS JUND		PROJECT No. 24-2588	
DESIGNED BY		CHECKED BY		1. DATE		3.		2. DATE		4.		SECTIONS & DETAILS SHEET TITLE		SHEET 9 OF 21		PLAN No. 1-104	