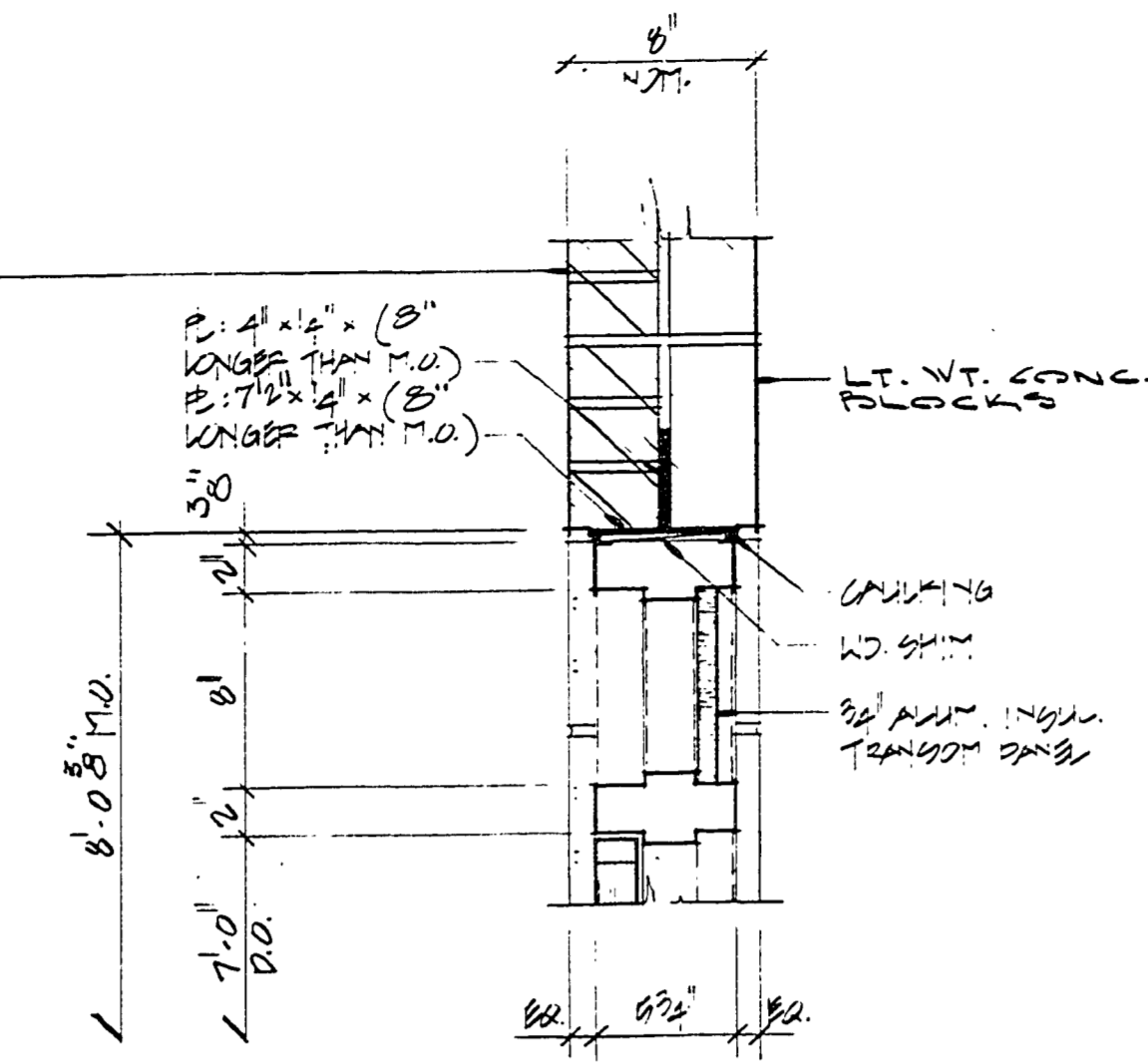
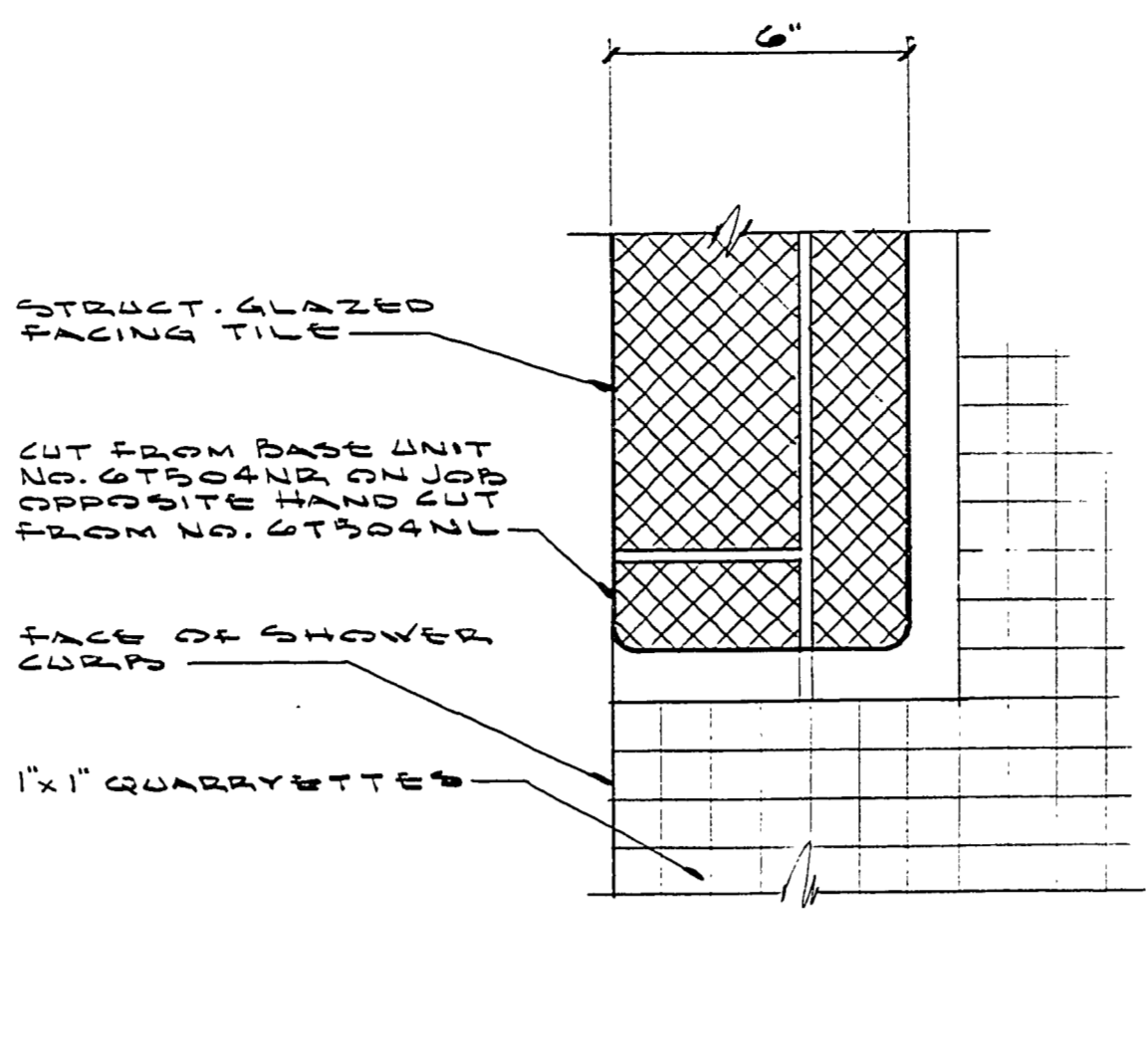


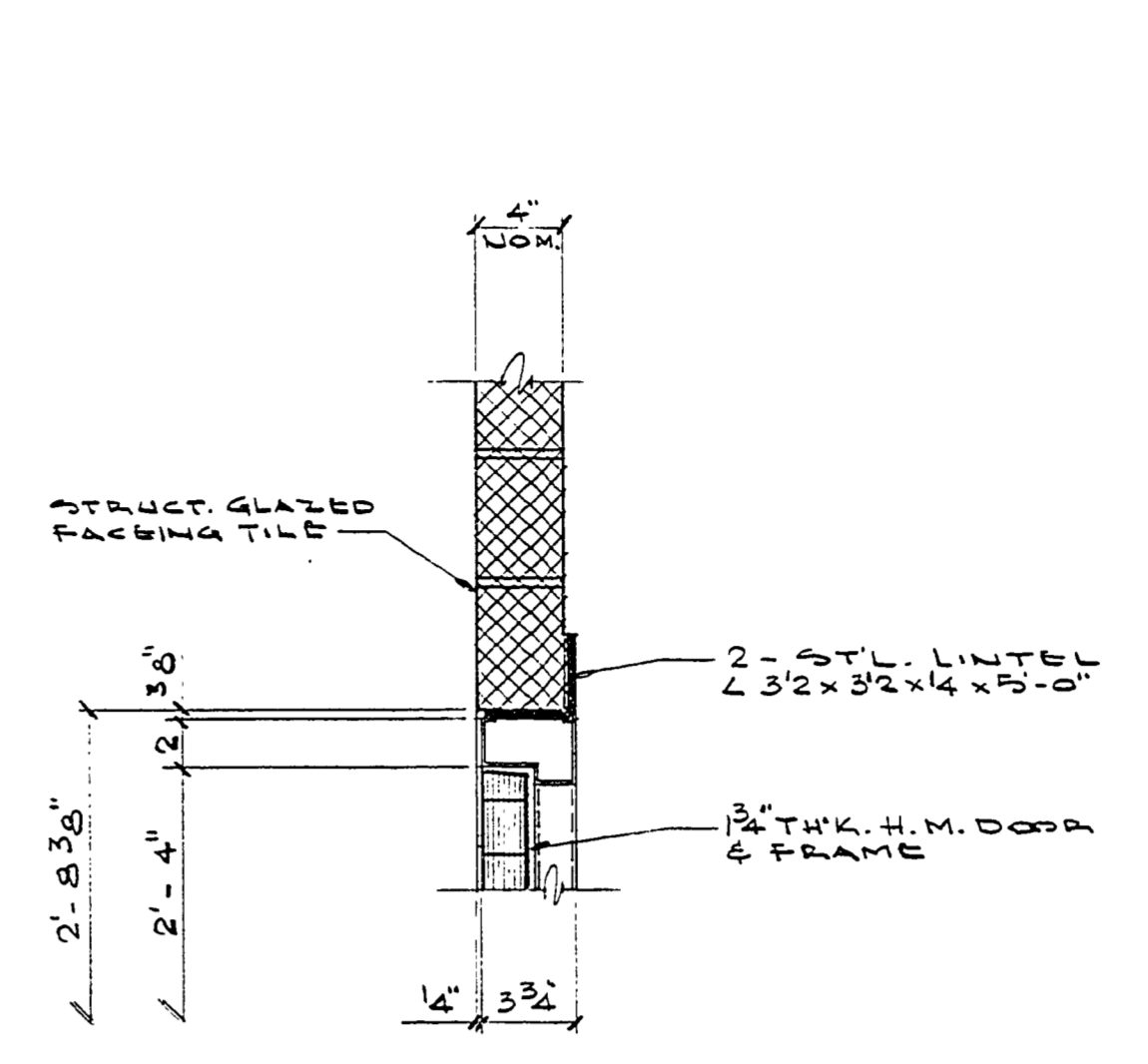
• DR. HEAD DETAIL • (H 1)



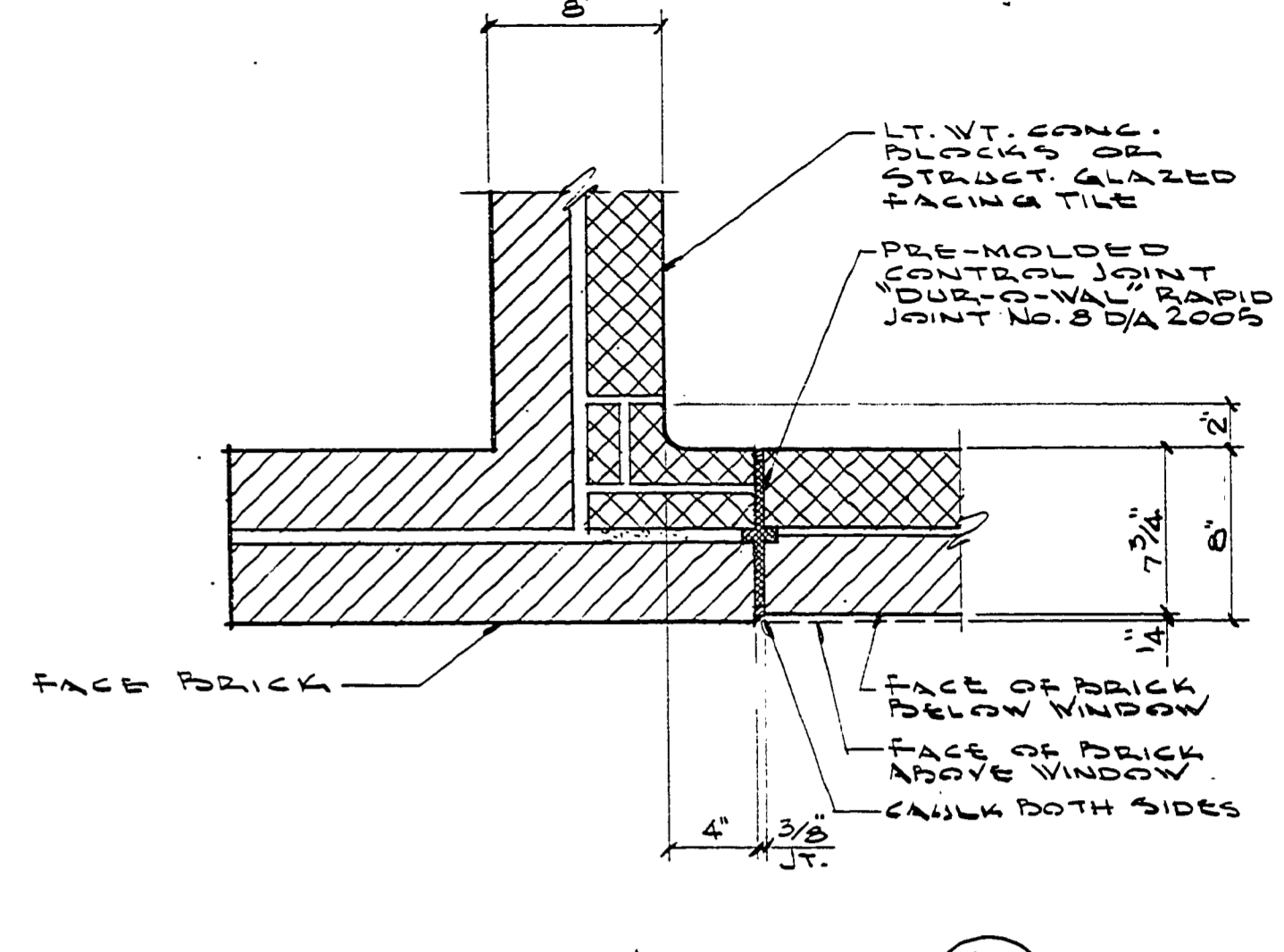
• DR. HEAD DETAIL • (H 2)



TYPICAL SHOWER WALL DETAIL (21) SC. 3\"/>

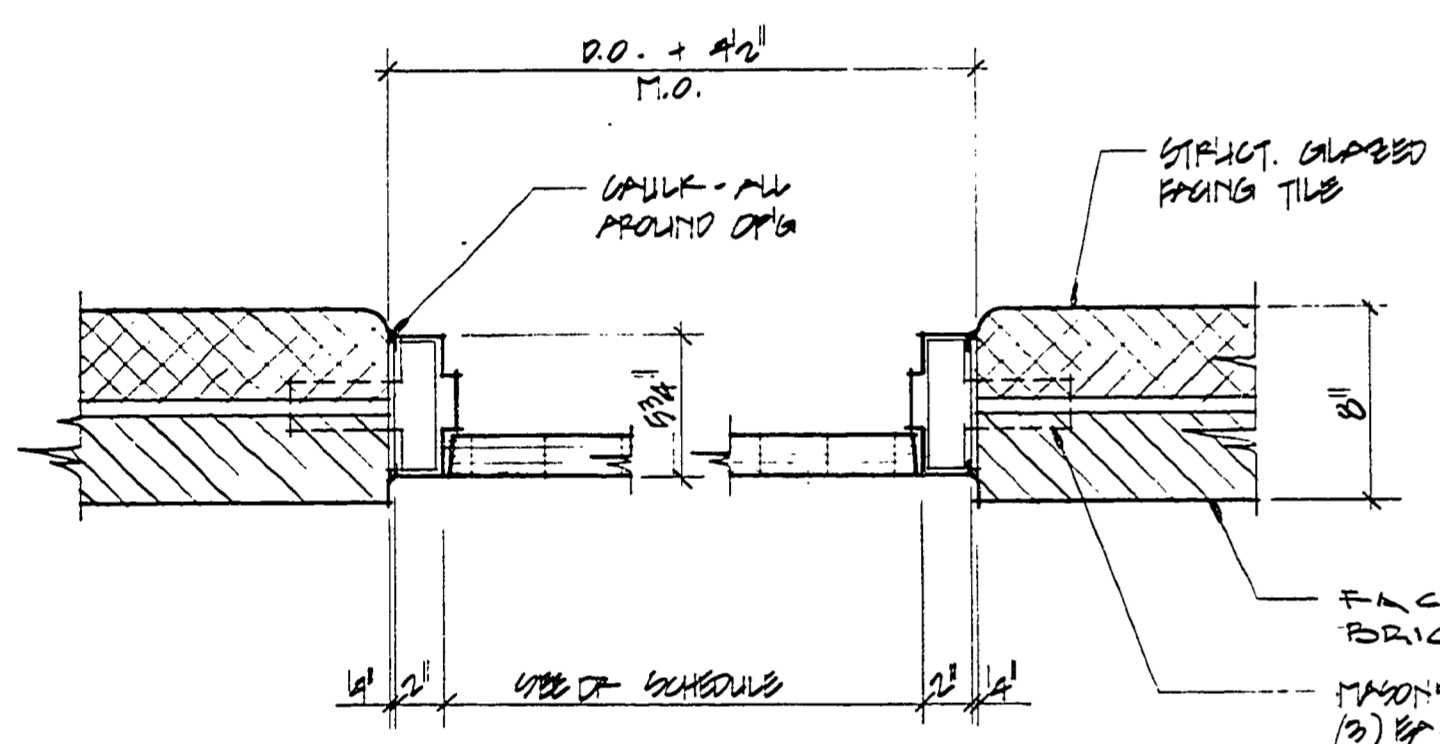


ACCESS DR. HEAD DETAIL (H 4) SC. 1/2\"/>

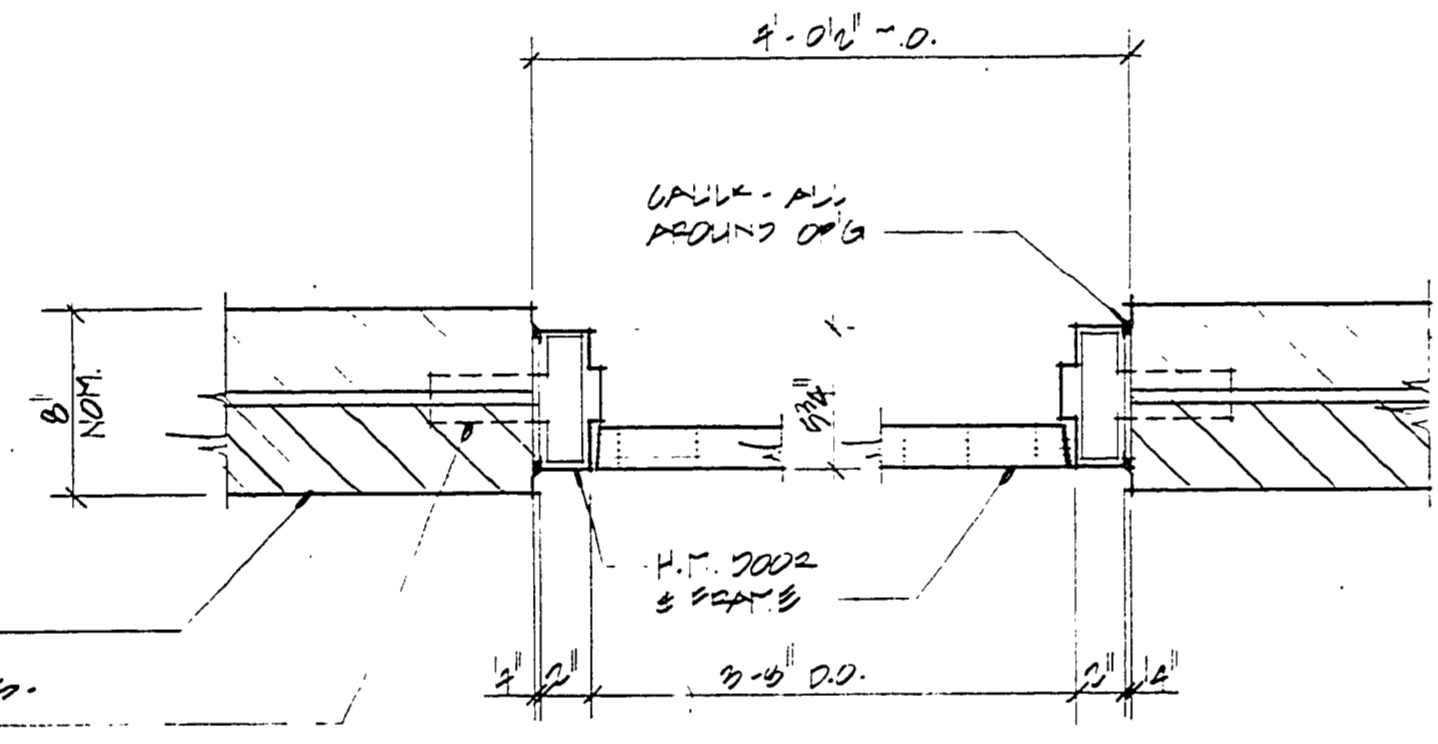


CONTROL JOINT (23) SC. 1/2\"/>

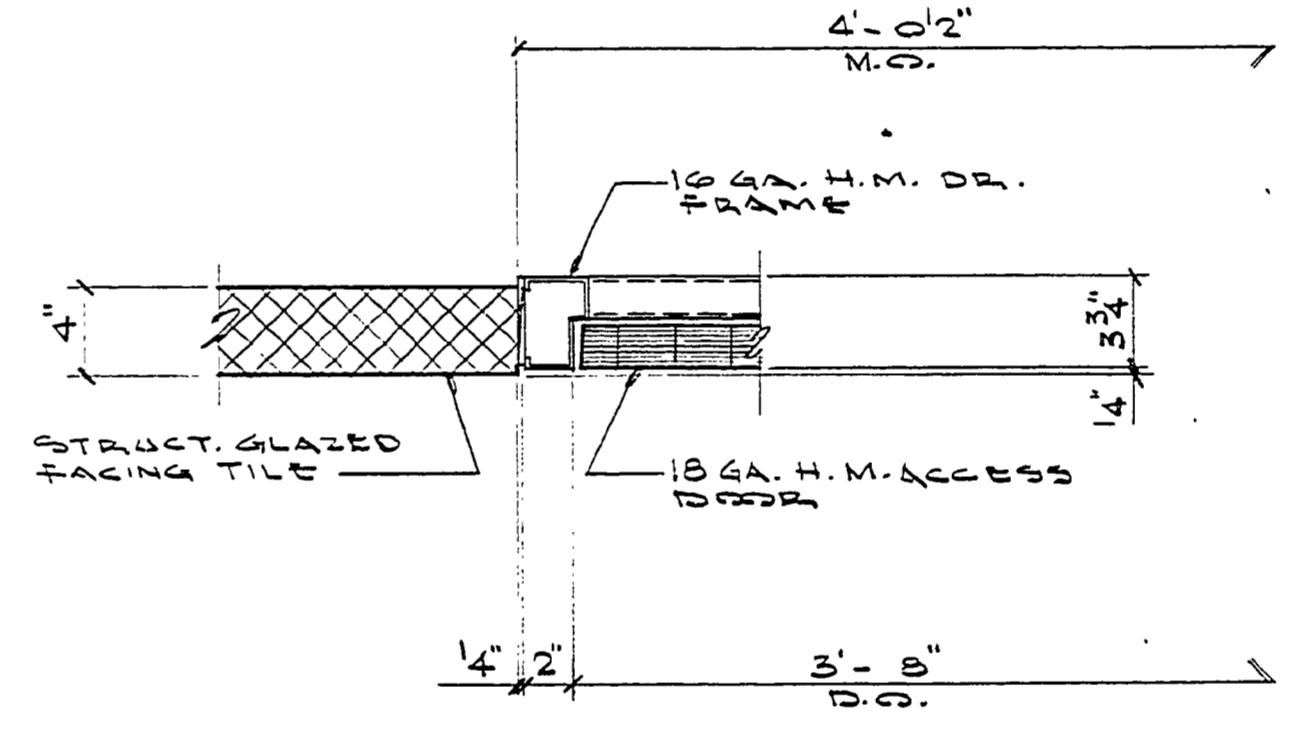
1/2\"/>



• DR. JAMB DETAIL • (J 1)

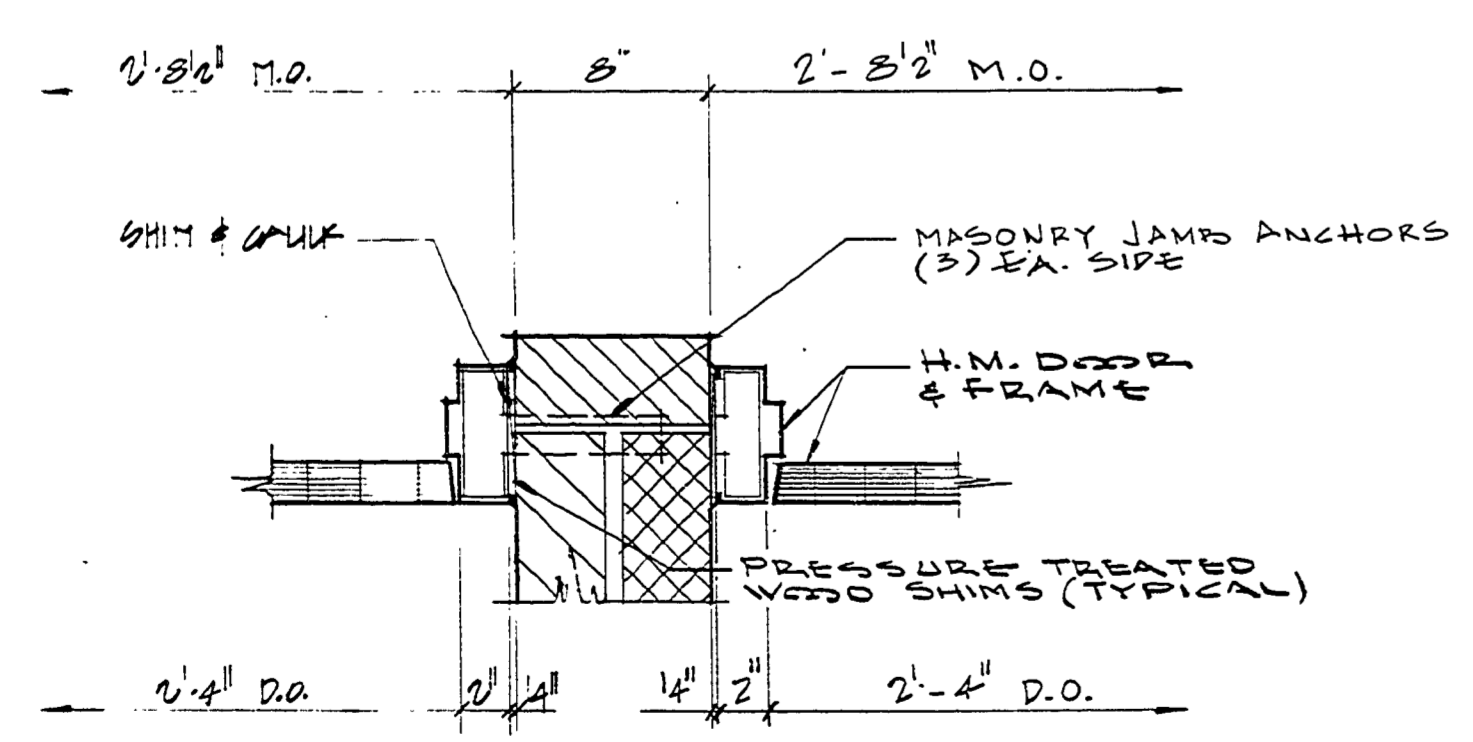


• DR. JAMB DETAIL • (J 2)

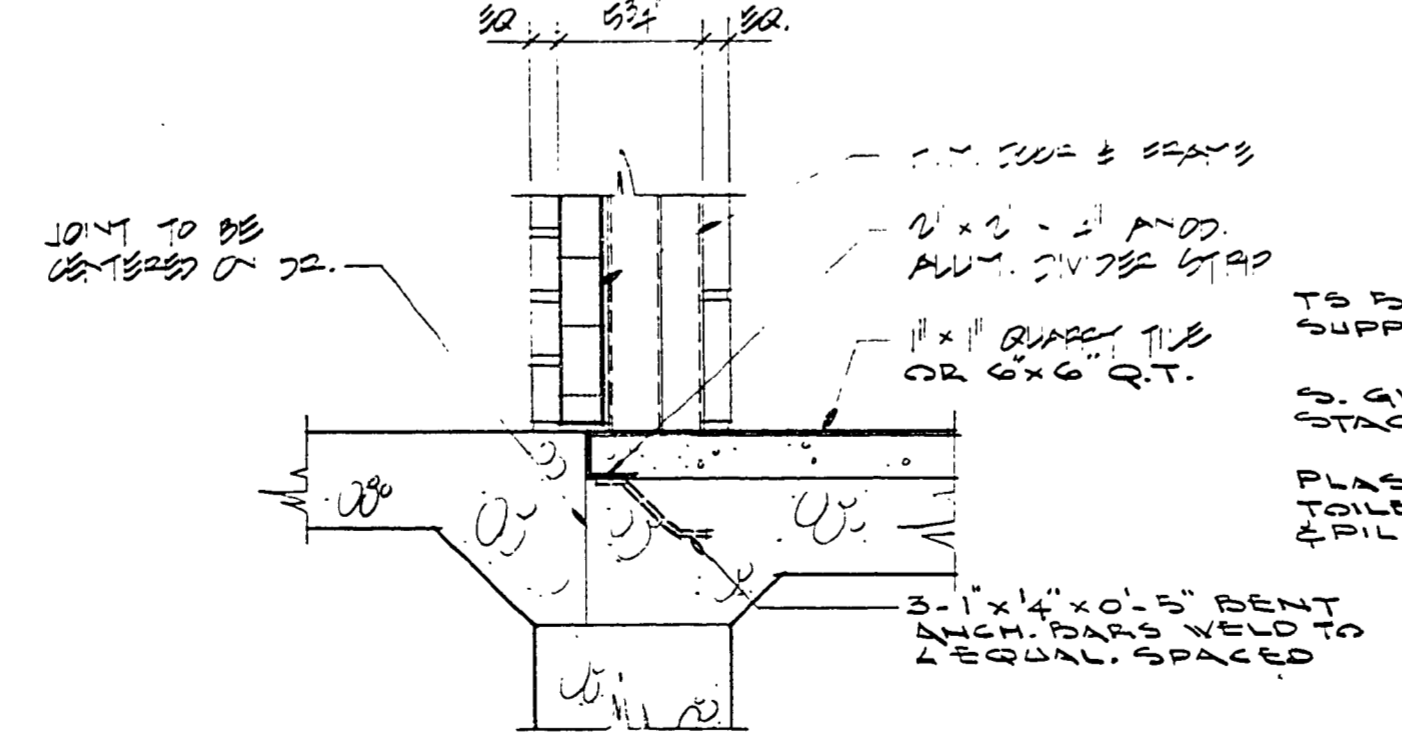


ACCESS DR. JAMB DETAIL (J 4) (SILL DET. SIMILAR) SC. 1/2\"/>

1/2\"/>

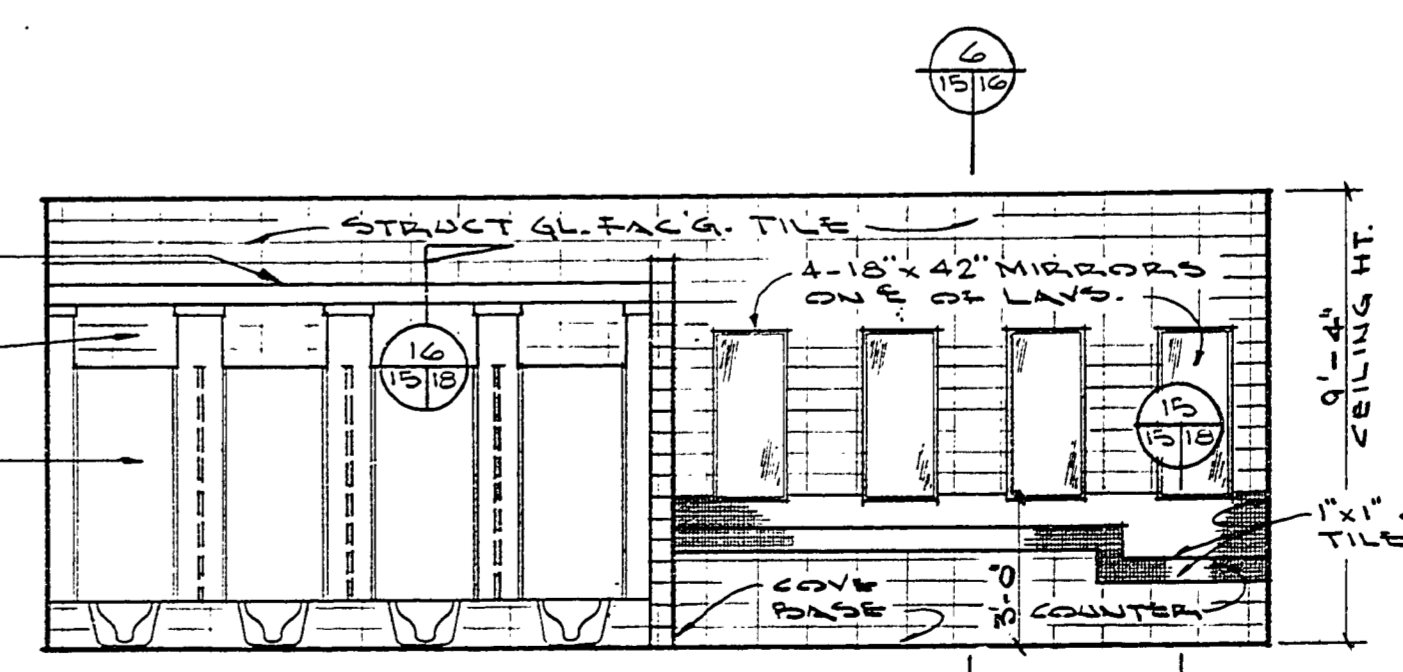


• DR. JAMB DETAIL • (J 3)

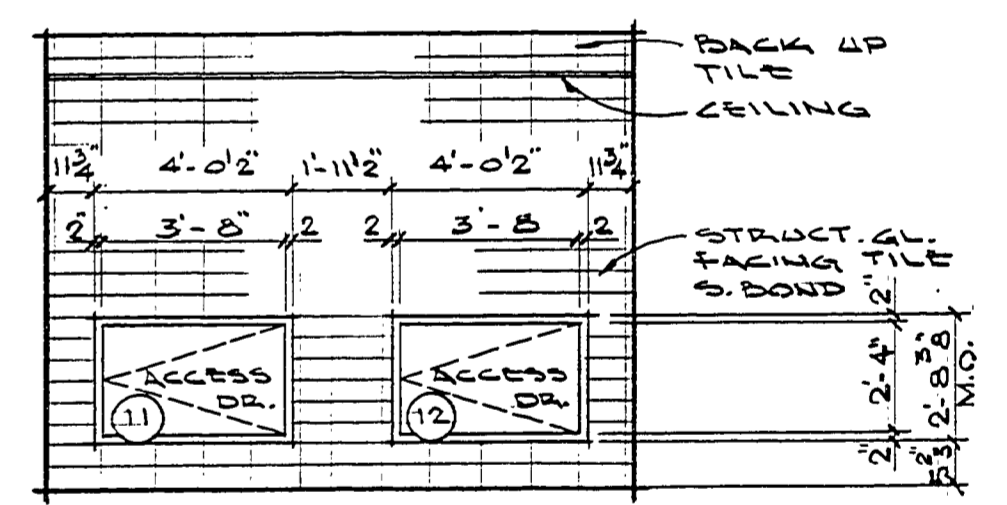


• THRESHOLD DETAIL • (T 1) 1/2\"/>

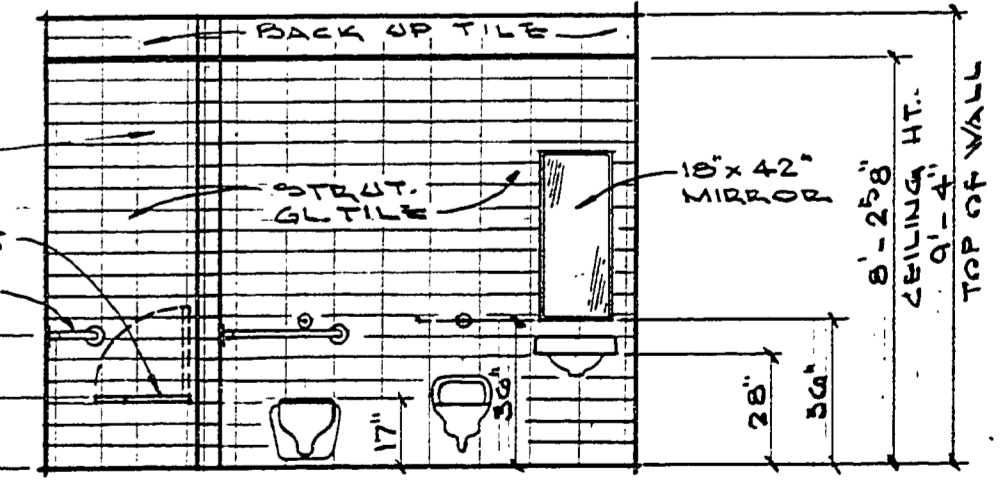
1\"/>



ROOM #4 LOOKING NORTH SC. 1/4\"/>



RM. #3 LOOKING S.



RM. #3 LOOKING N. SC. 1/4\"/>

SURVEYED BY	DRAWN BY	JULY	NO.	DATE	BY	REVISIONS	NO.	DATE	BY	REVISIONS	MICHIGAN DEPARTMENT OF NATURAL RESOURCES	DOOR DETAILS & ELEVATIONS	AREA OR PARK: SLEEPY HOLLOW STATE PARK TOILET & SHOWER BLDG. PROJECT: SOUTH CAMPGROUND	PROJECT NO. 24-2588	SHEET 15 OF 21	PLAN NO. A-104
	CHECKED BY	DATE	1.				3.									
			2.				4.									