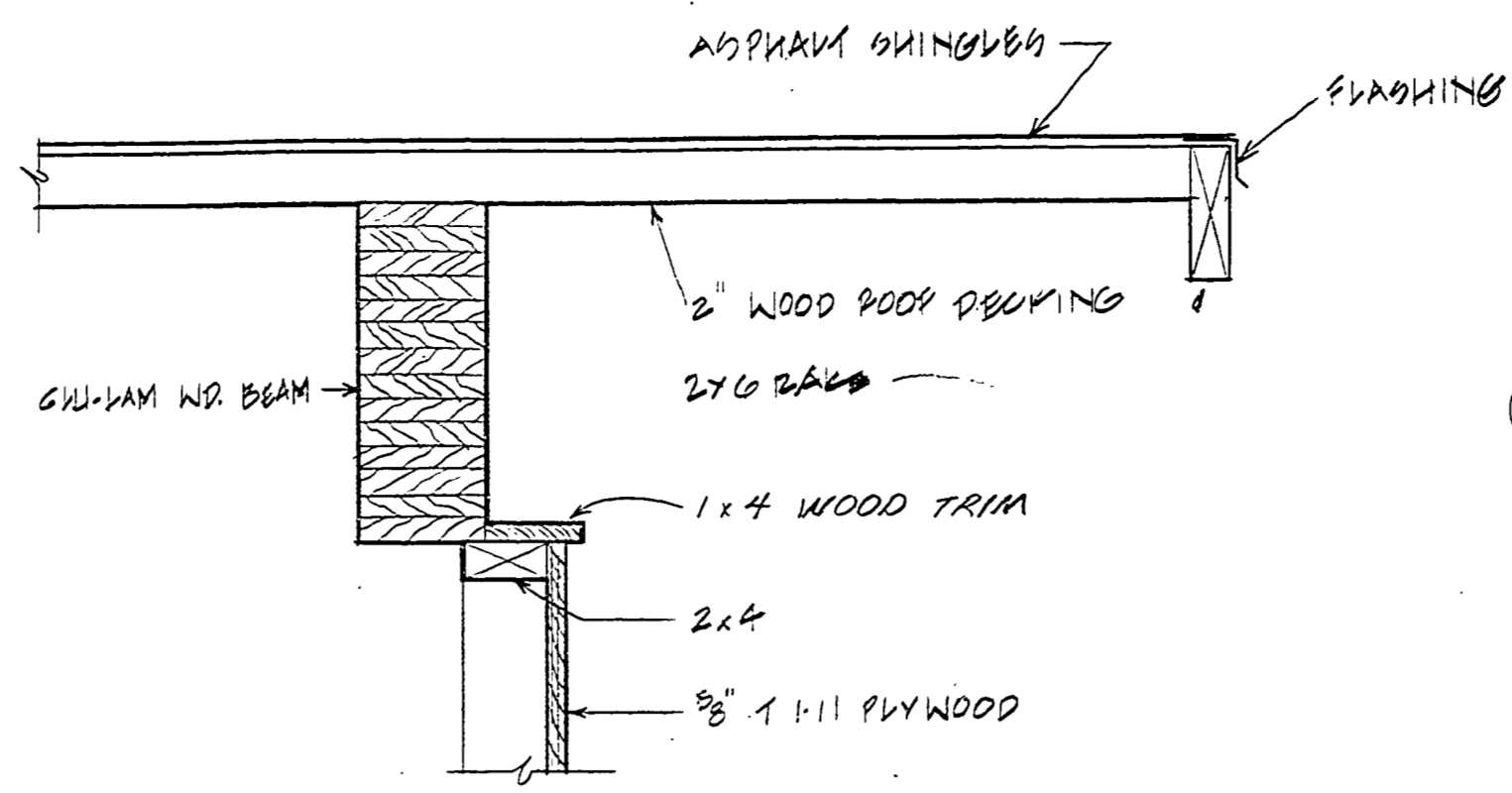
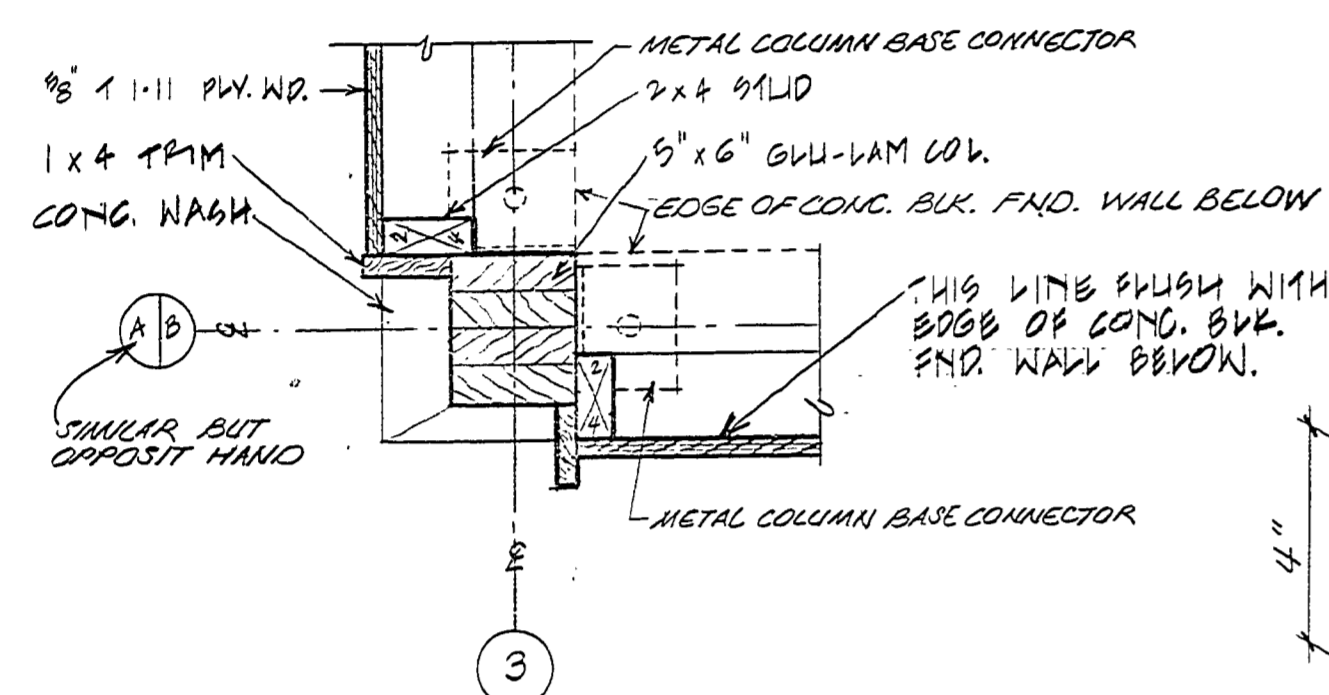


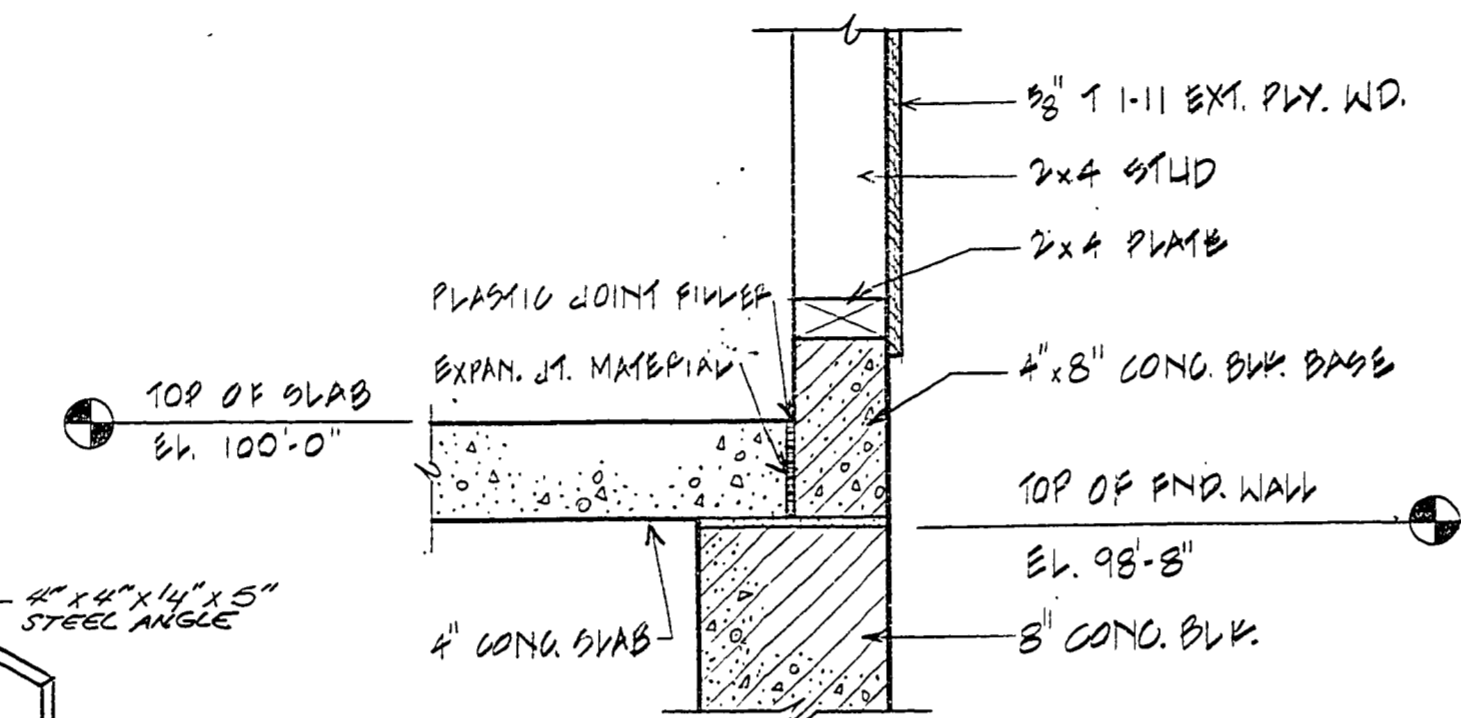
CORNER DETAIL
SCALE 1" = 1'-0"



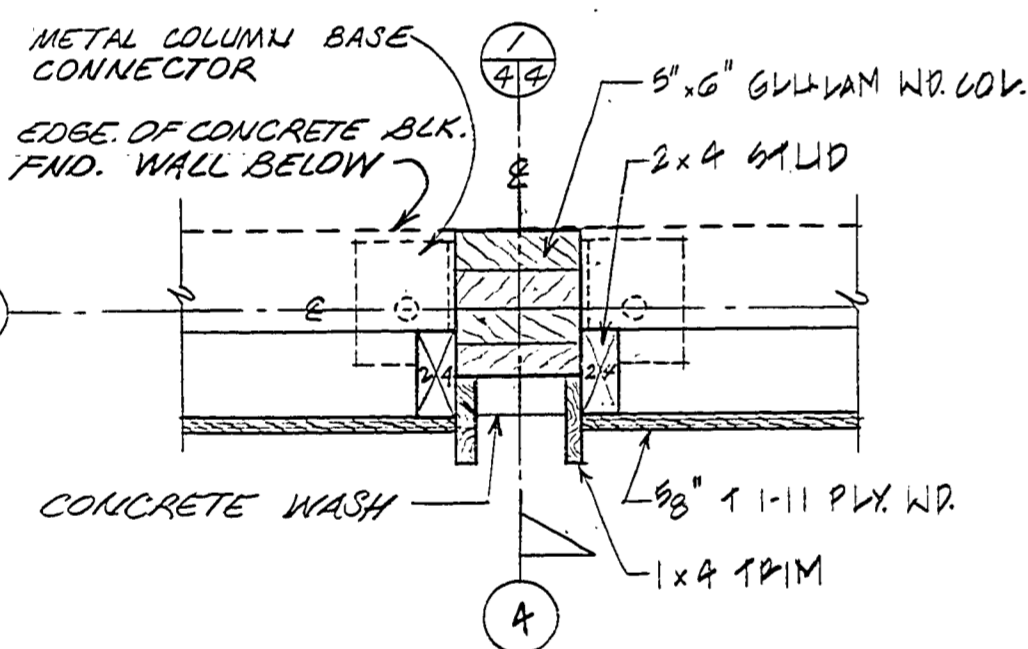
SECTION THRU GABLE



COLUMN DETAIL
SCALE 1 1/2" = 1'-0"

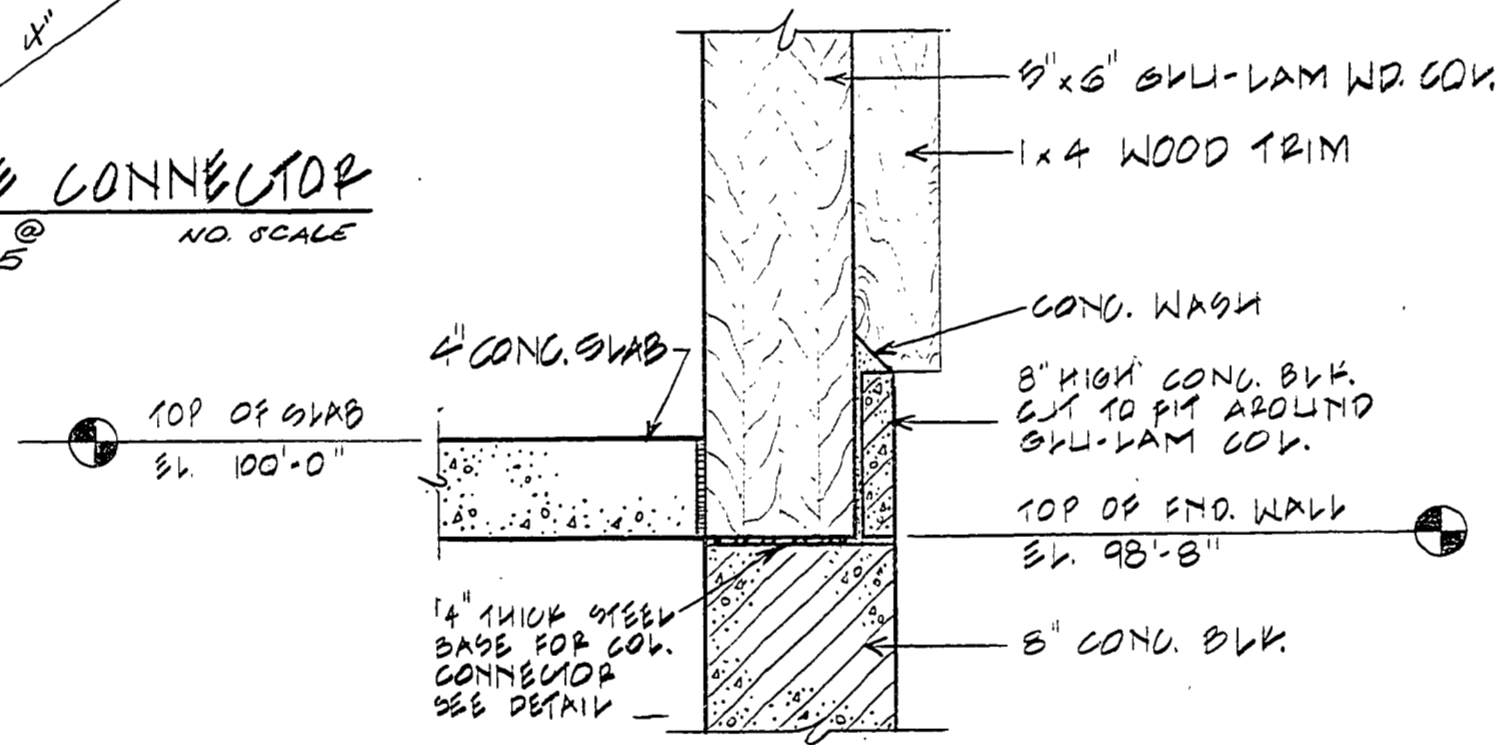


TYPICAL BASE DETAIL
SCALE 1 1/2" = 1'-0"

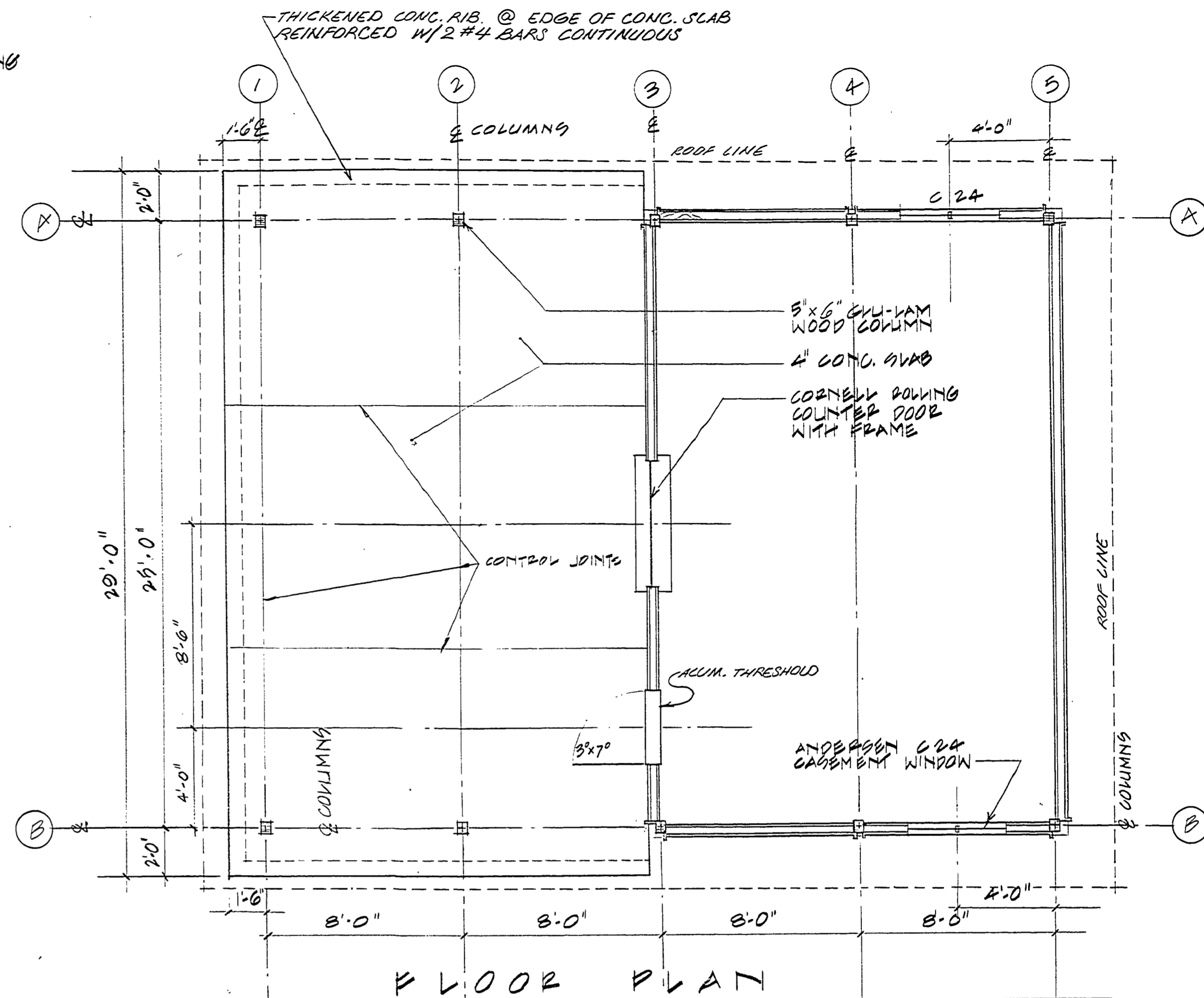


COLUMN DETAIL
SCALE 1 1/2" = 1'-0"

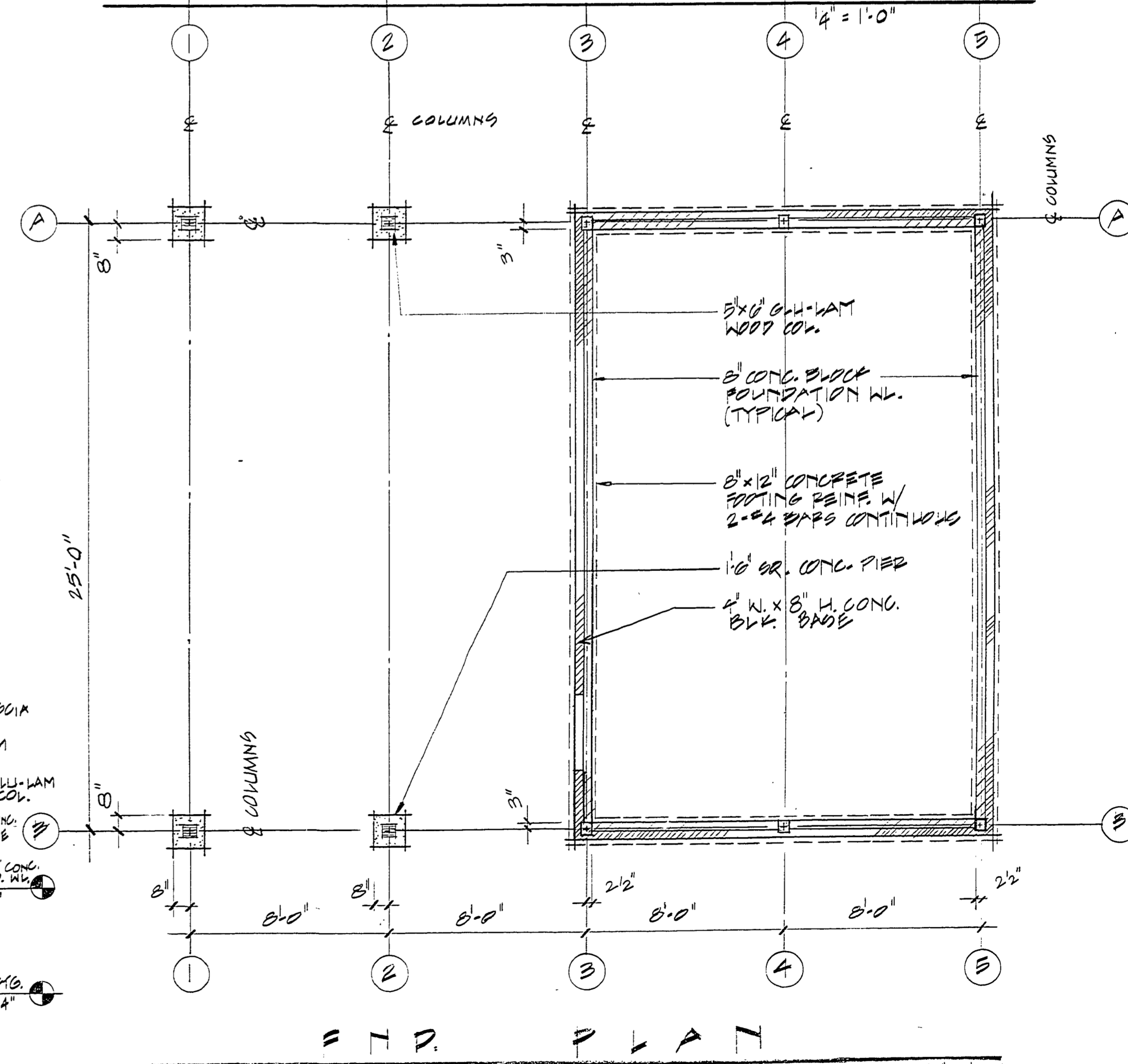
MET. COLUMN BASE CONNECTOR
TWO CONNECTORS REQUIRED @ COLUMNS A-3,4,5 & B-3,4,5
NO SCALE



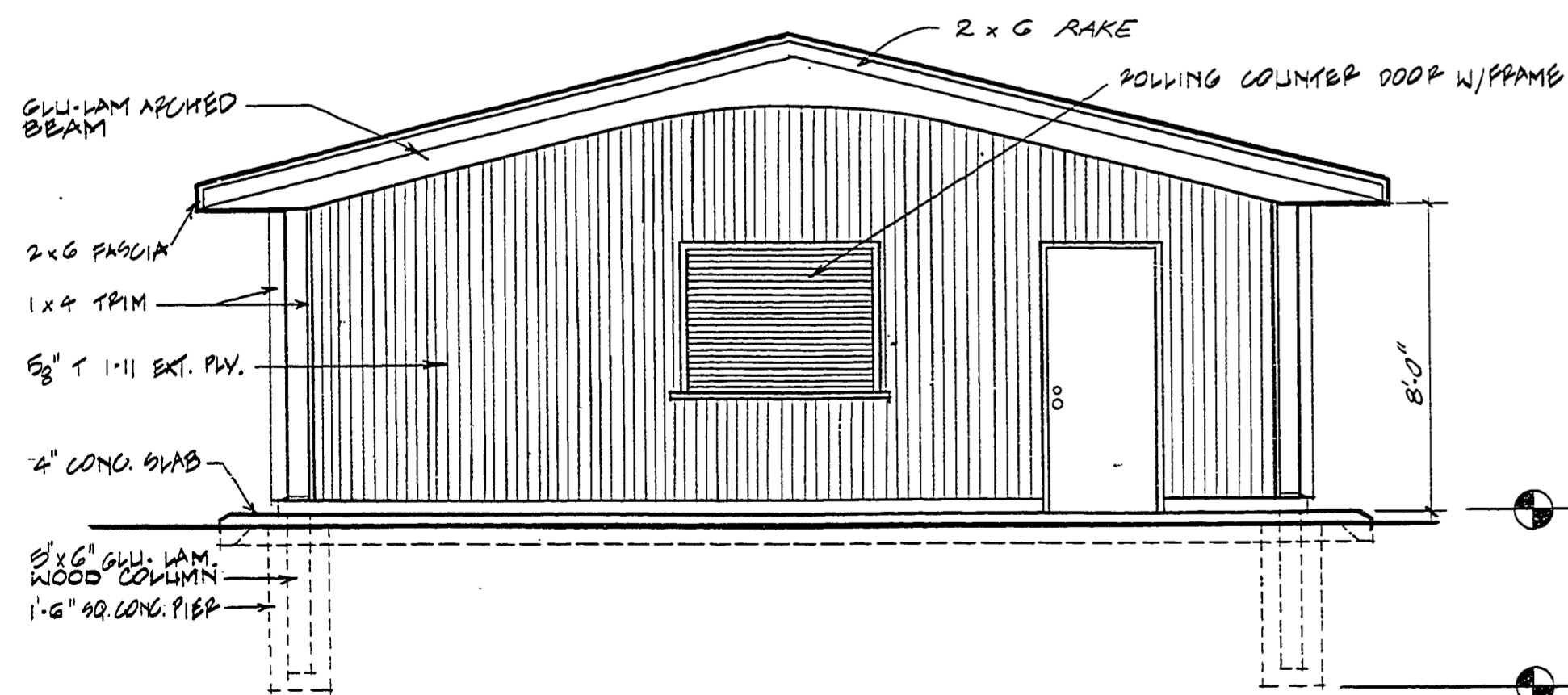
TYPICAL COLUMN DETAIL
SCALE 1 1/2" = 1'-0"



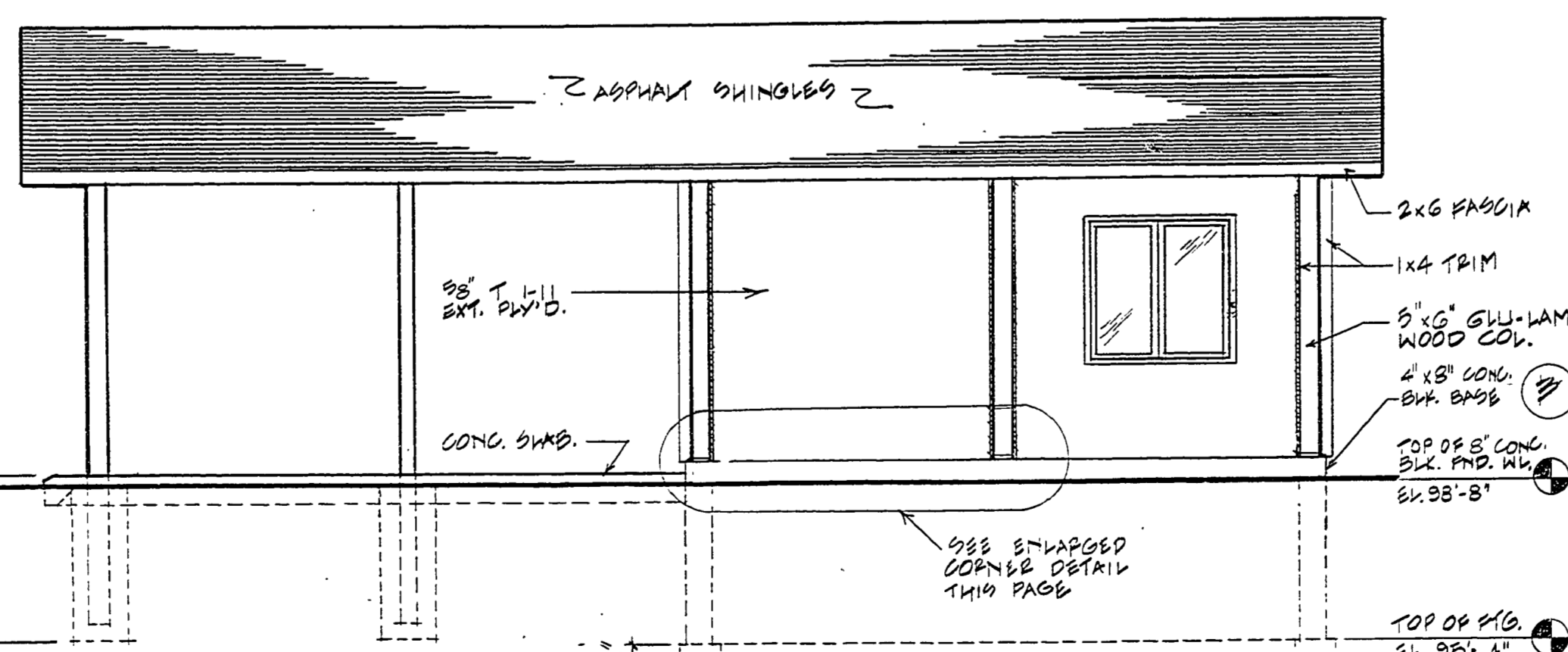
FLOOR PLAN
SCALE 1/4" = 1'-0"



F.P. PLAN
SCALE 1/4" = 1'-0"



FRONT ELEVATION
SCALE 1/4" = 1'-0"



SIDE ELEVATION
SCALE 1/4" = 1'-0"

SURVEYED BY		DRAWN BY		NO. DATE BY REVISIONS		NO. DATE BY REVISIONS		MICHIGAN DEPARTMENT OF NATURAL RESOURCES		SLEEPY HOLLOW STATE PARK AREA OR PARK PROJECT		PROJECT NO. 21-9690	
				1.				3.		PLANS, DETAILS AND ELEVATIONS		SHEET 4 OF 5	
				2.				4.		PROJECT		PLAN NO. A-103	