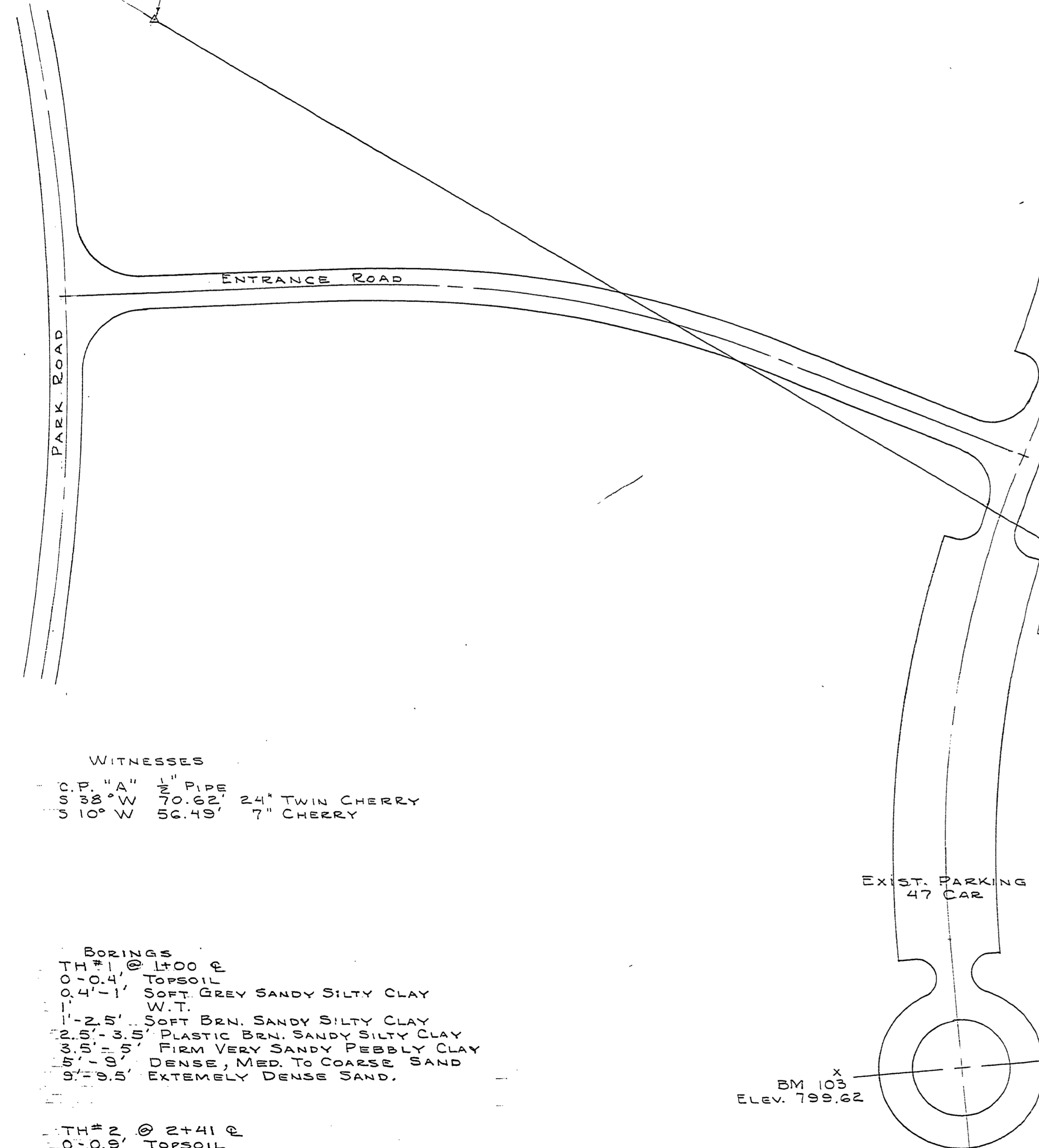


BM ELEV. 794.10
RR SPIKE IN S. SIDE 12" CHERRY
@ NE COR. OF PARKING LOT.

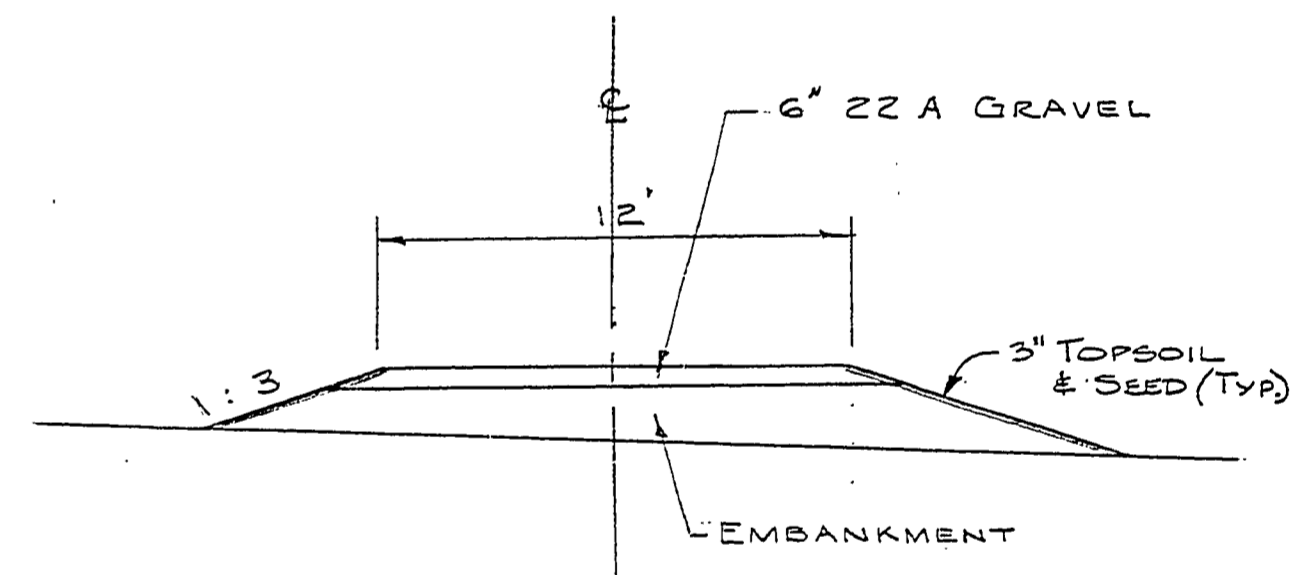
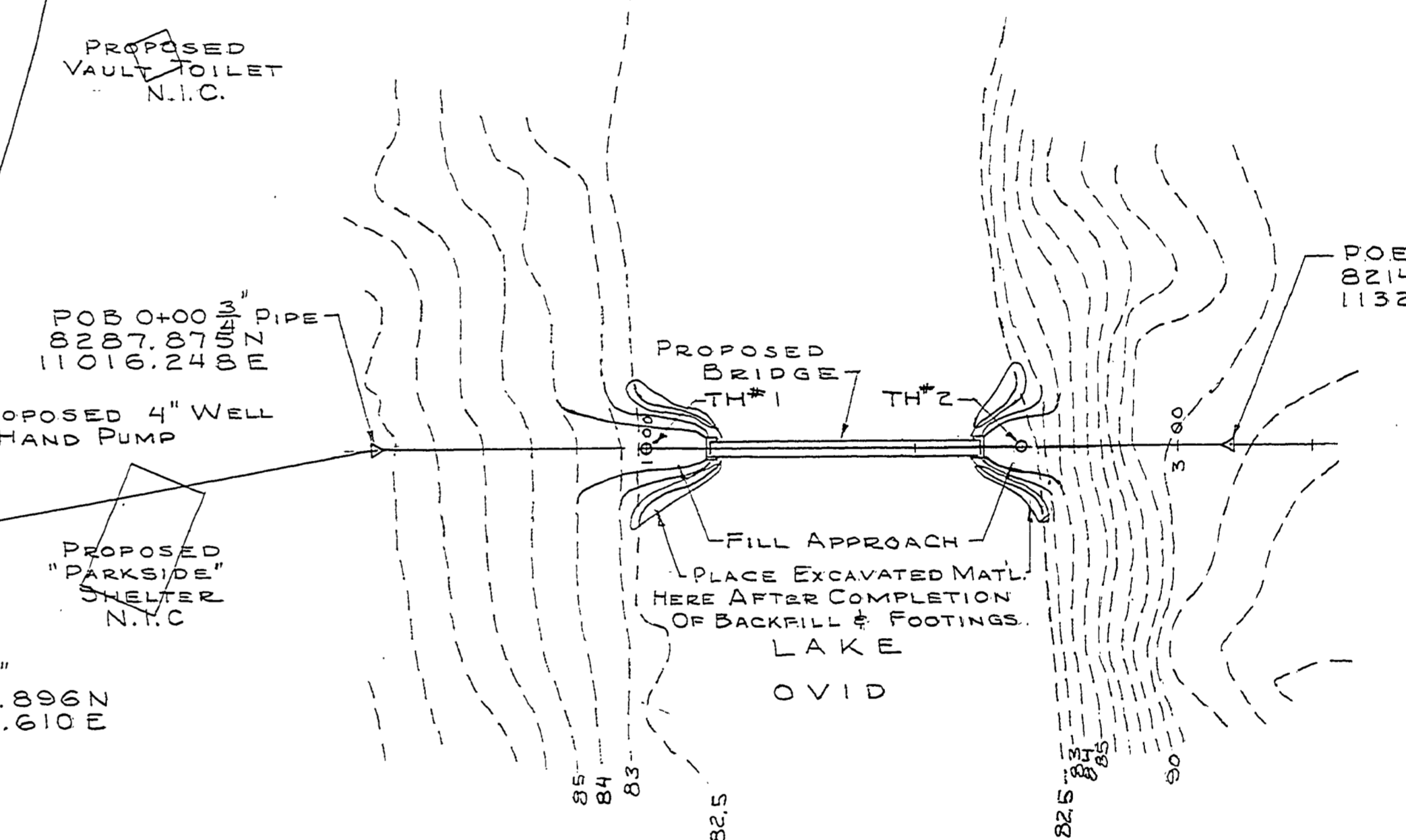
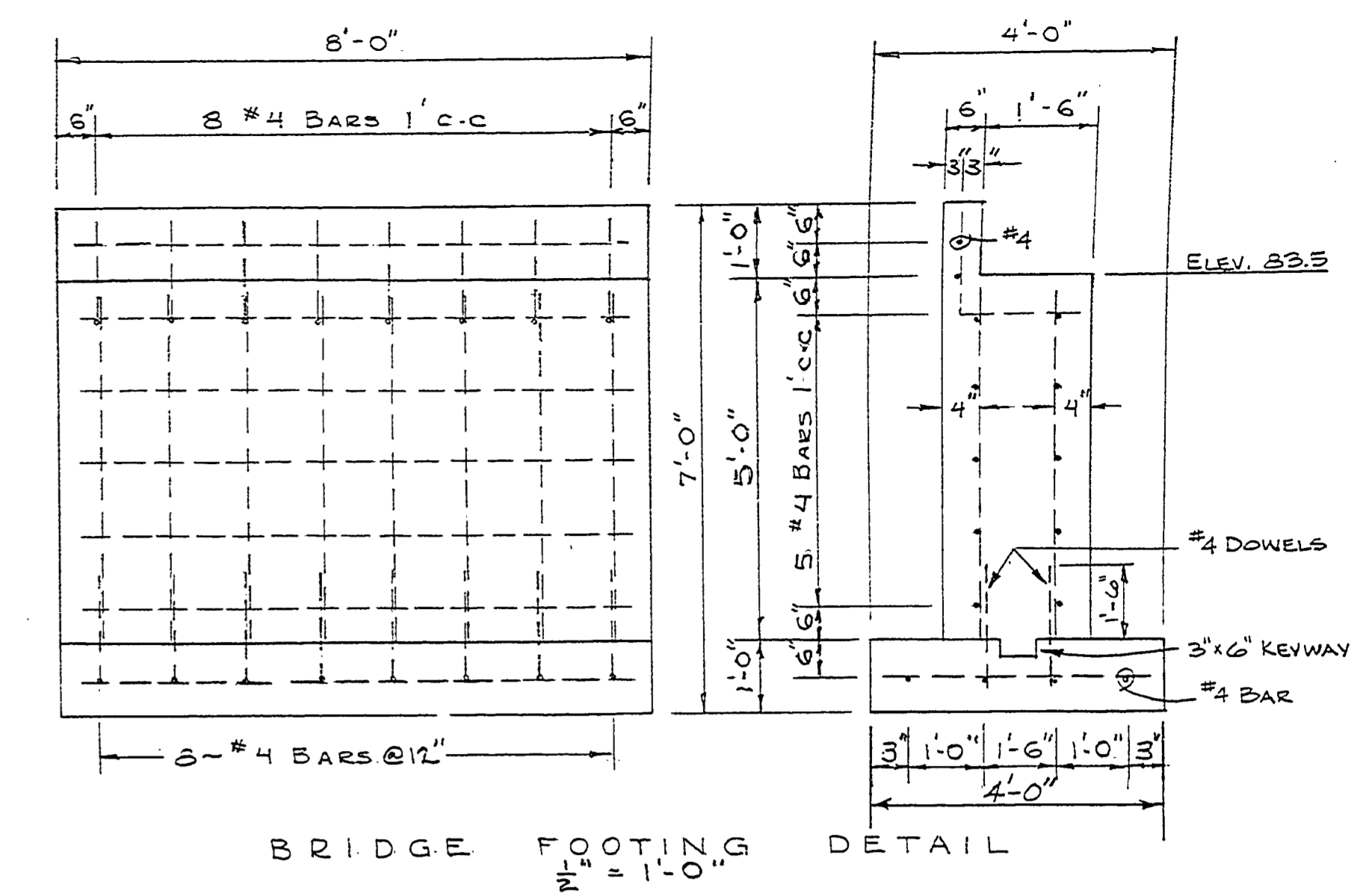
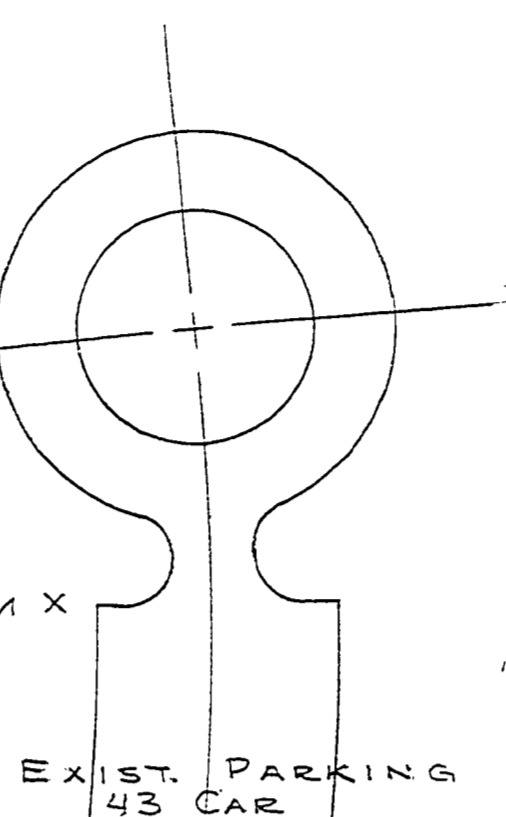
C.P. "A" 1/2" PIPE
8749.7200N
10374.805E



WITNESSES
C.P. "A" 1/2" PIPE
S 38° W 70.62' 24" TWIN CHERRY
S 10° W 50.49' 7" CHERRY

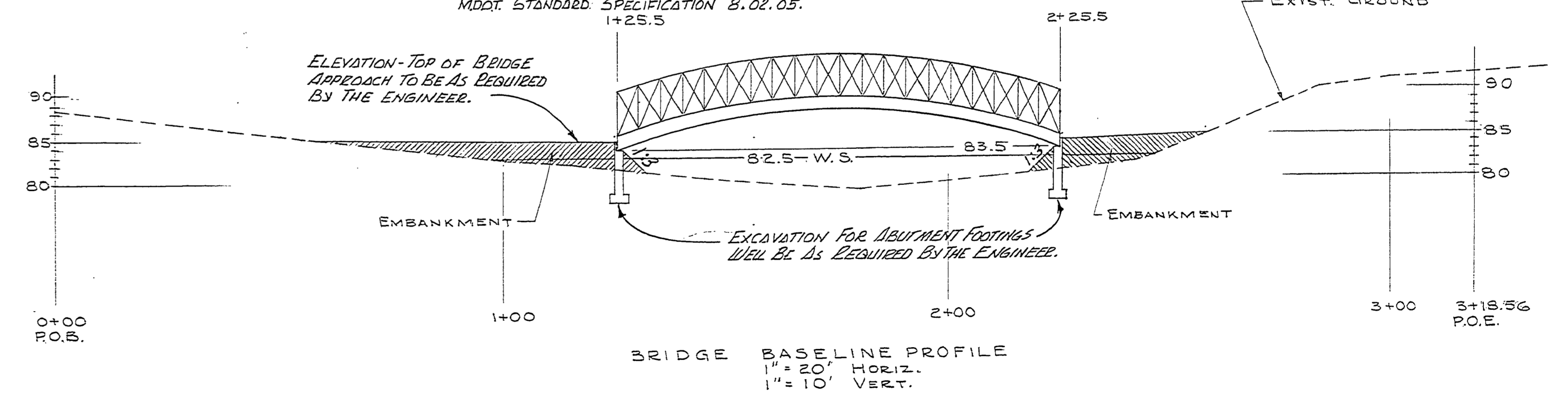
BORINGS
TH#1 @ 1+00 E
0'-0.4' TOPSOIL
0.4'-1' SOFT GREY SANDY SILTY CLAY
1'-1.5' W.T.
1'-2.5' SOFT BRN. SANDY SILTY CLAY
2.5'-3.5' PLASTIC BRN. SANDY SILTY CLAY
3.5'-5' FIRM VERY SANDY PEBBLY CLAY
5'-8' DENSE, MED. TO COARSE SAND
8'-9.5' EXTREMELY DENSE SAND.
TH#2 @ 2+41 E
0'-0.8' TOPSOIL
0.8'-2' SOFT GREY SILTY SANDY CLAY.
2'-6' SOFT TO PLASTIC SILTY SANDY CLAY, TRACE OF PEBBLES.
6'-7.5' SATURATED GREY SAND
7.5'-10' MODERATELY DENSE COARSE SAND & FINE GRAVEL.
10'-10.5' EXTREMELY DENSE SAND.

BM 103
ELEV. 799.62



NOTE:
BRIDGE DESIGN LIVE
LOAD - 60#/SQ. FT.

NOTE: BRIDGE WILL BE "TOWN & COUNTRY" OR EQUAL
100' SPAN 6' WIDE, PREFABRICATED OF "CORTEN" STEEL.
CONTACT SUPPLIER FOR CONNECTION TO FOOTINGS.
THE AREA UNDER THE FOOTINGS WILL BE EXCAVATED TO THE
DENSE SAND LAYER AS NOTED IN THE BORINGS & BACKFILLED
WITH COMPACTED POROUS MATERIAL. COMPACTION TO BE 95%
RELATIVE DENSITY. BACK FILL SHALL BE CLASS I OR II GRANULAR MATERIALS AS PER
MDDT. STANDARD SPECIFICATION 8.02.05.



SURVEYED BY	DRAWN BY J. YPMA	S-79	NO.	DATE	BY	REVISIONS	NO.	DATE	BY	REVISIONS	MICHIGAN DEPARTMENT OF NATURAL RESOURCES	BRIDGE LOCATION	SLEEPY HOLLOW STATE PARK	PROJECT NO. 21-9691
DESIGNED BY R.H. MERRILL	CHECKED BY	S-79	1.				3.				DEPARTMENT OF NATURAL RESOURCES	SHEET TITLE	PROJECT	SHEET 3 OF 5 PLAN NO. E-113
	DATE		2.				4.							