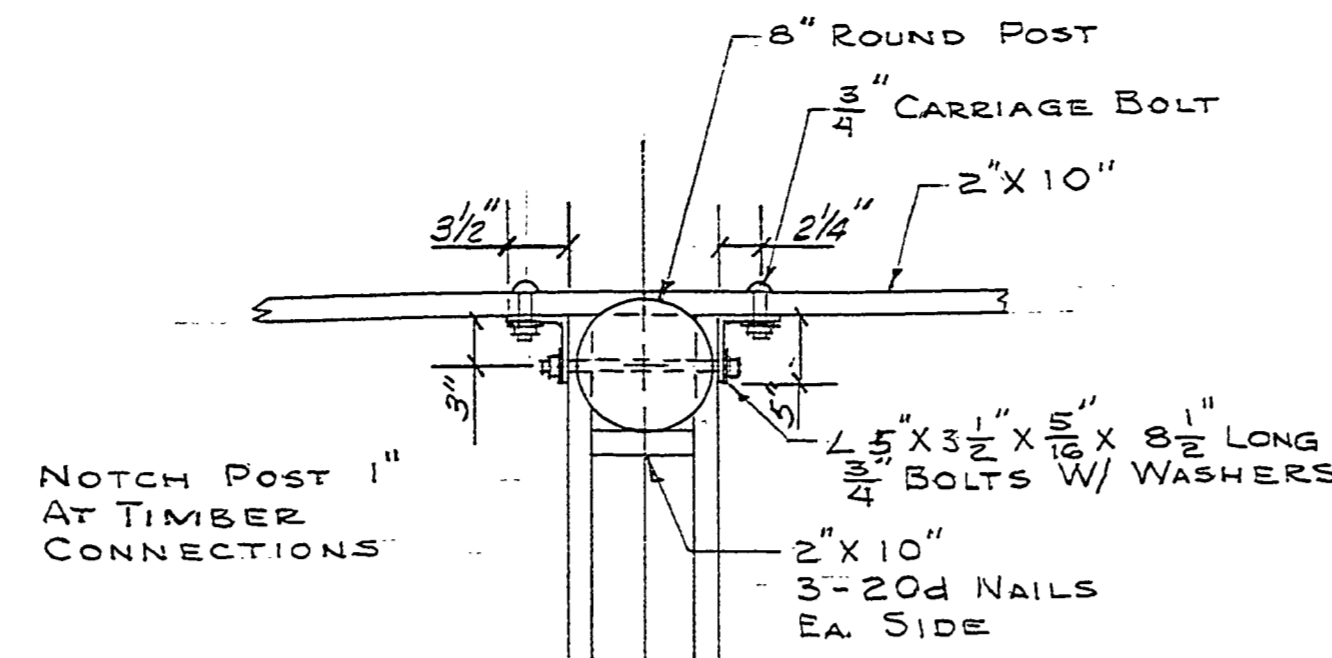
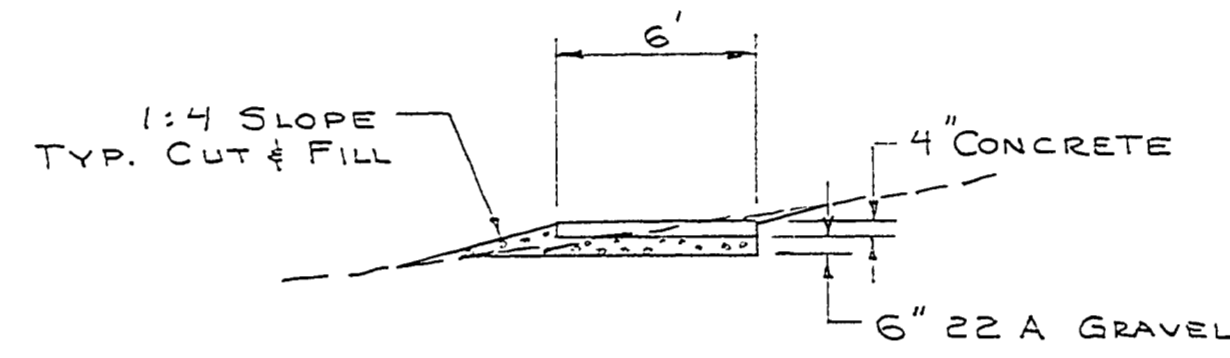


TYP. ELEVATION

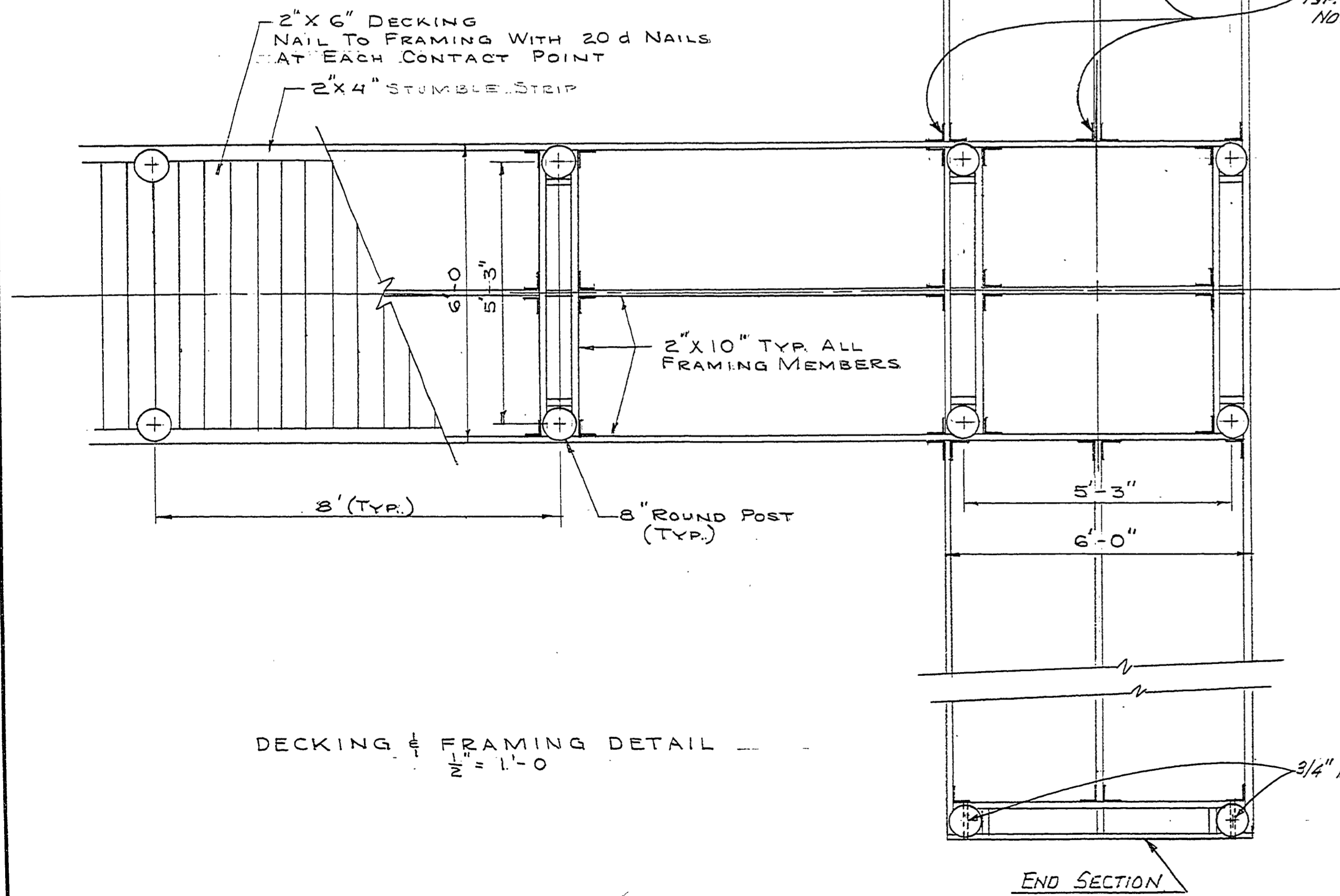


JOINT DETAIL  
1" = 1'-0"

NOTE  
ALL POSTS AND TIMBERS  
TO BE PRESSURE TREATED.  
  
ALL ANGLES TO BE HOT DIP  
GALVANIZED AFTER DRILLING  
BOLTS TO BE CADMIUM PLATED  
OR EQUAL.



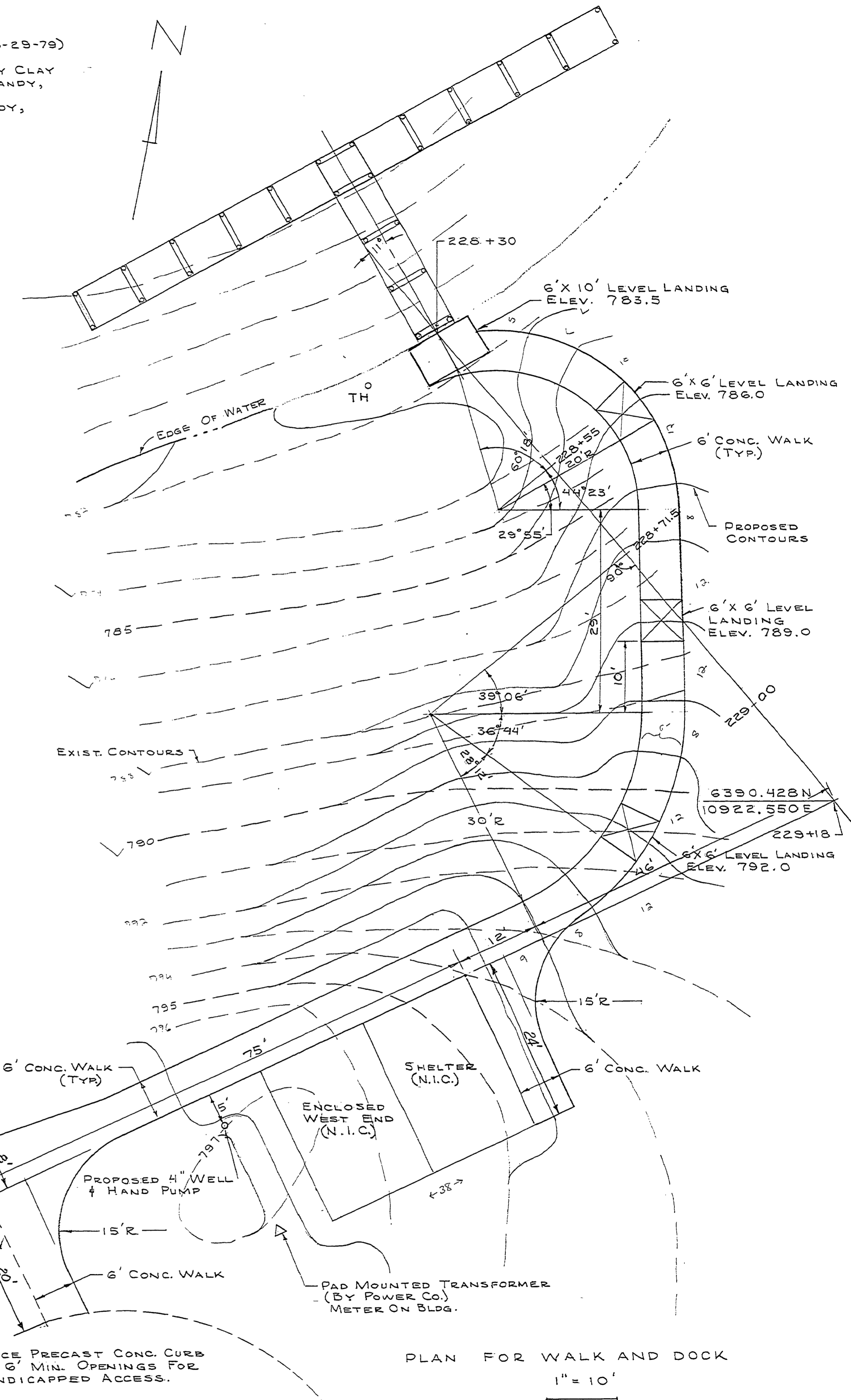
TYP. SECT. WALK



DECKING & FRAMING DETAIL  
1/2" = 1'-0"

END SECTION

TH @ WATER'S EDGE (8-29-79)  
0-0.7' MUCK LOAM (WET)  
0.7'-1.5' SOFT SILTY, SANDY CLAY  
1.5'-4' PLASTIC, SILTY, SANDY,  
PEBBLY CLAY  
4'-6'+ FIRM SILTY, SANDY,  
PEBBLY CLAY



PLAN FOR WALK AND DOCK  
1" = 10'

SURVEYED BY	DRAWN BY J. YPMA	10-79	NO. DATE BY	REVISIONS	NO. DATE BY	REVISIONS	MICHIGAN DEPARTMENT OF NATURAL RESOURCES	BOAT DOCK AND WALK	SLEEPY HOLLOW STATE PARK AREA OR PARK	PROJECT NO. 21-9691
DESIGNED BY R.H. MERRILL	10-79	CHECKED BY	1. 10-79 J.Y.	REVISED & REDRAWN	3.			SHEET TITLE	PROJECT	SHEET 4 OF 5 PLAN NO. E-113
	DATE	DATE	2. 10-31-79 J.Y.	DIMS. ADDED PER C.E. MASSEY	4.					