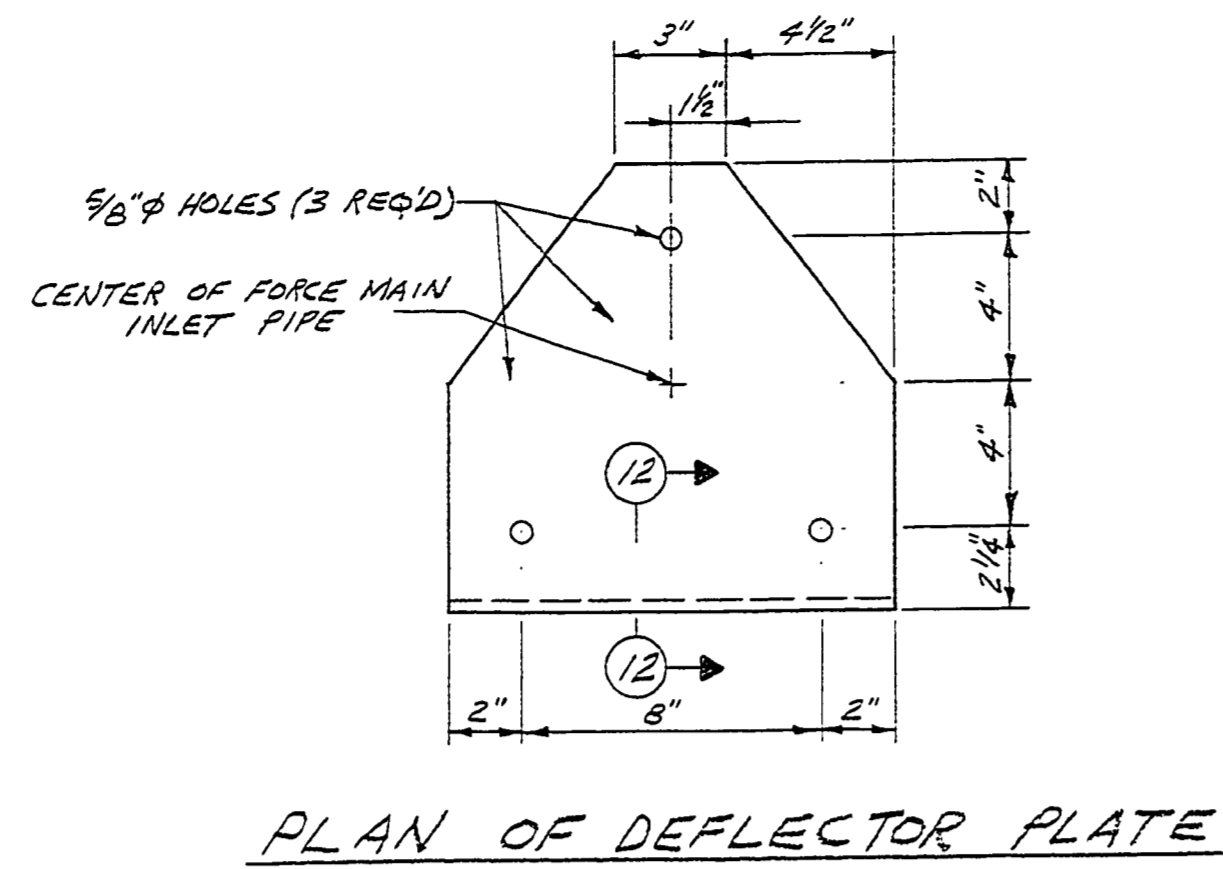
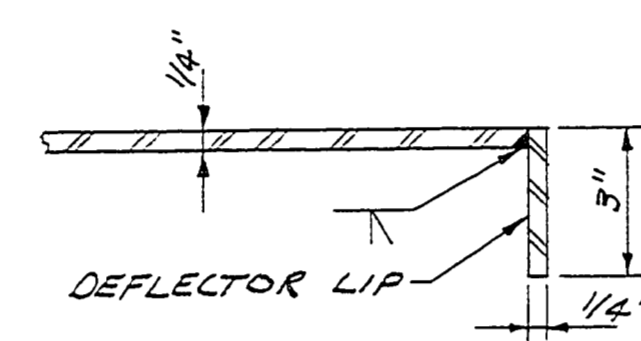


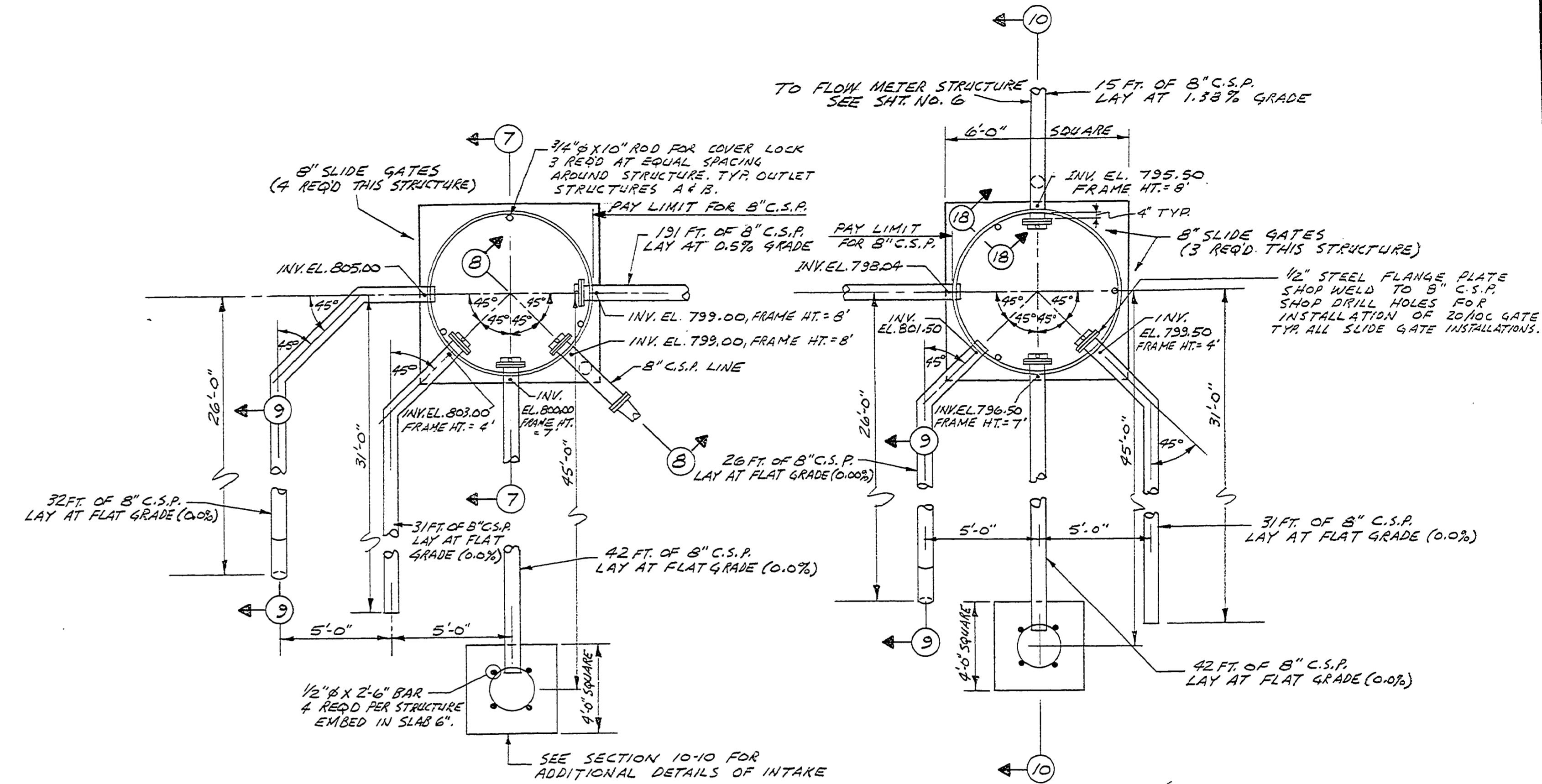
DETAIL A



PLAN OF DEFLECTOR PLATE

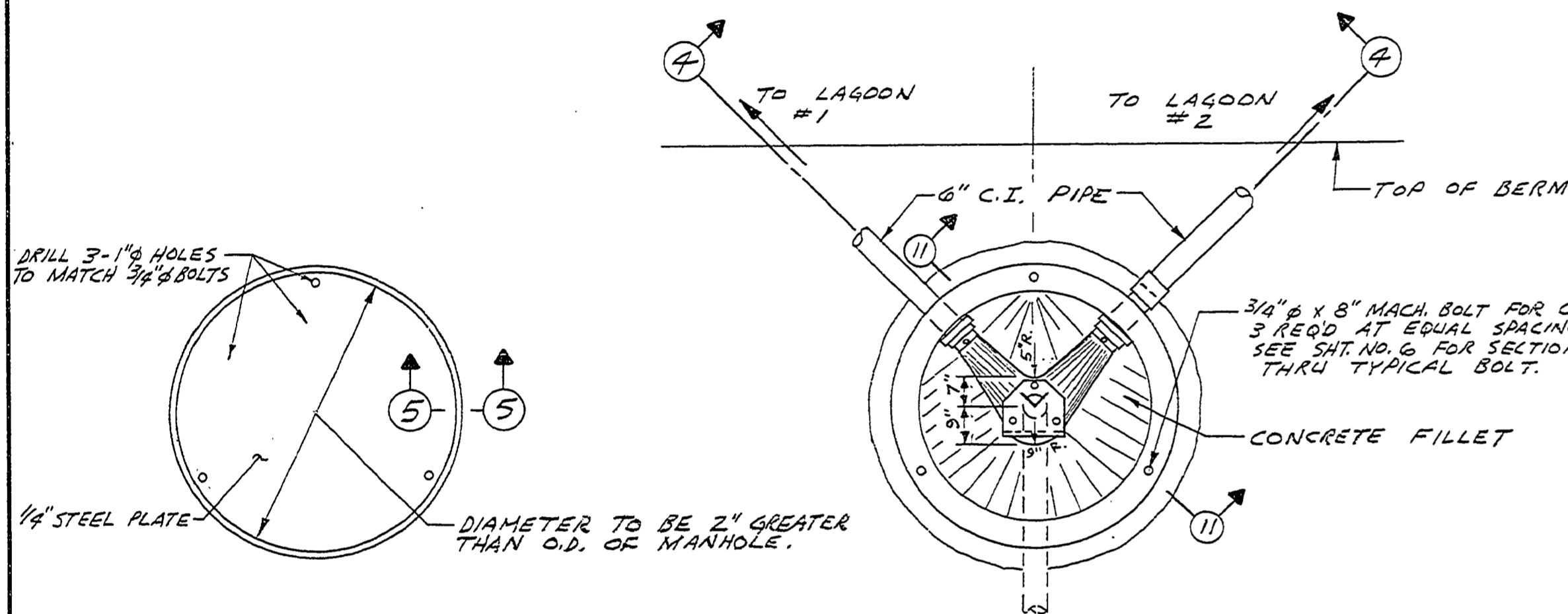


SECTION 12-12



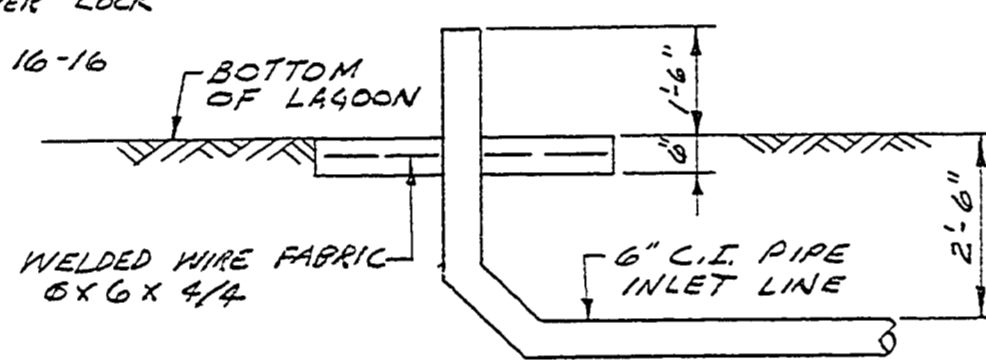
PLAN OF OUTLET CONTROL STRUCTURE A

PLAN OF OUTLET CONTROL STRUCTURE B

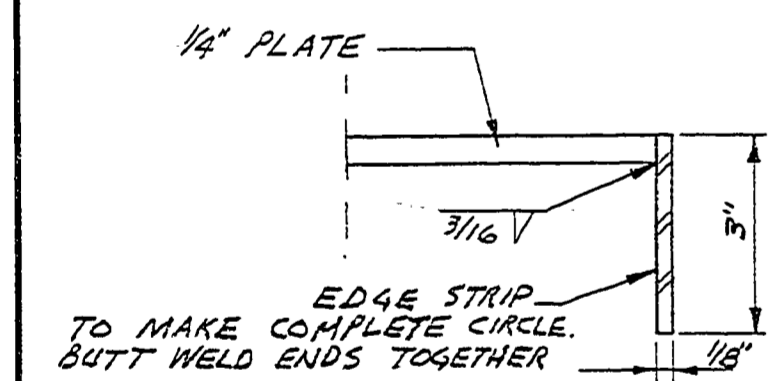


PLAN OF INLET STRUCTURE COVER (1 REQ'D)

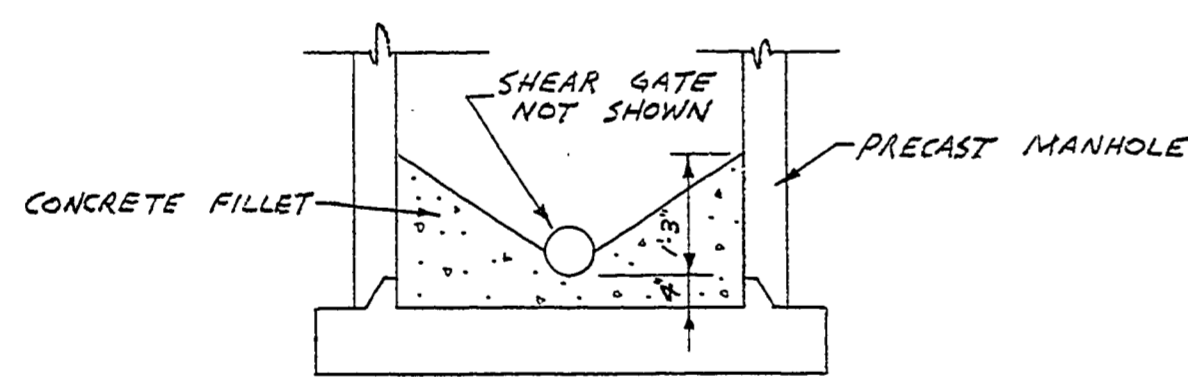
PLAN OF INLET STRUCTURE



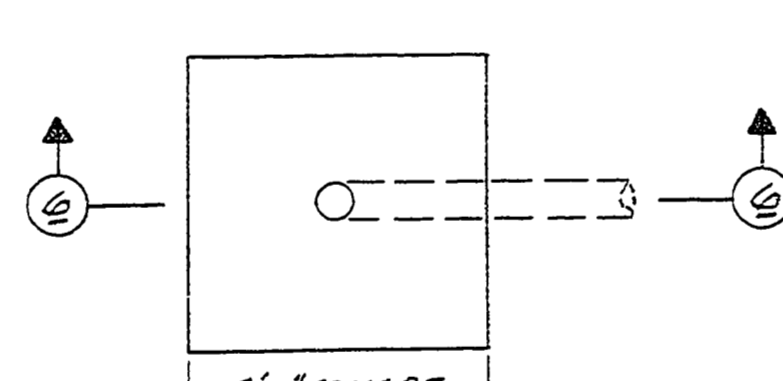
SECTION 6-6



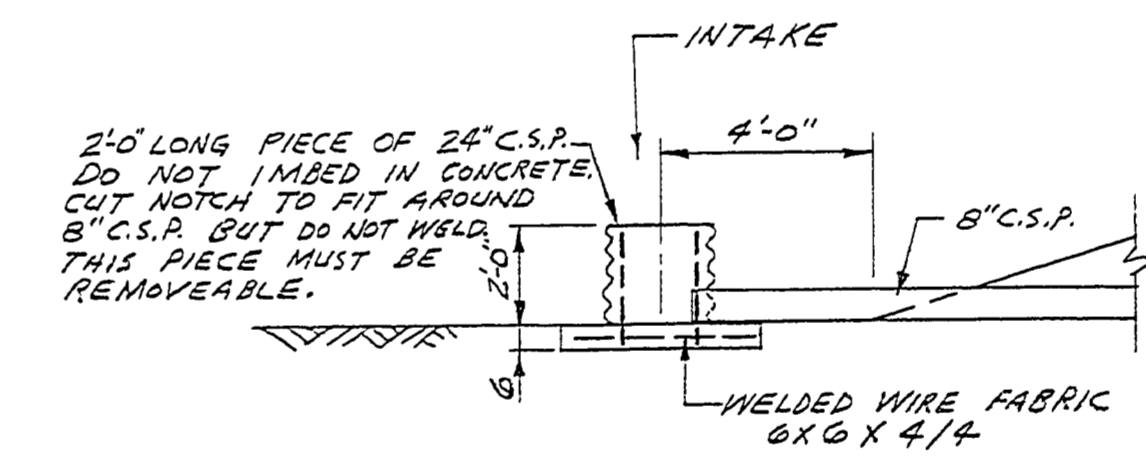
SECTION 5-5



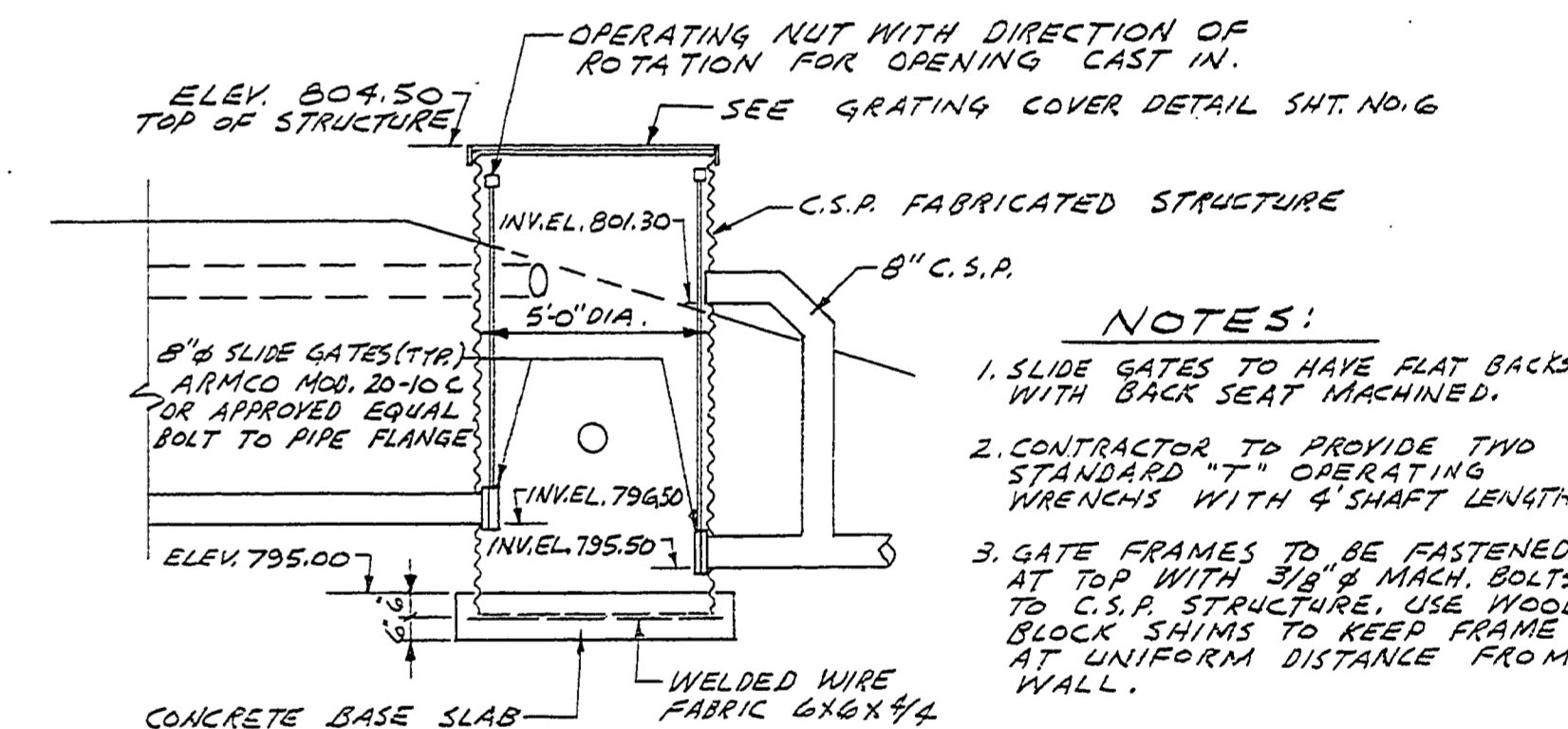
SECTION 11-11



PLAN OF INLET RISER AND PAD-LAGOON #1

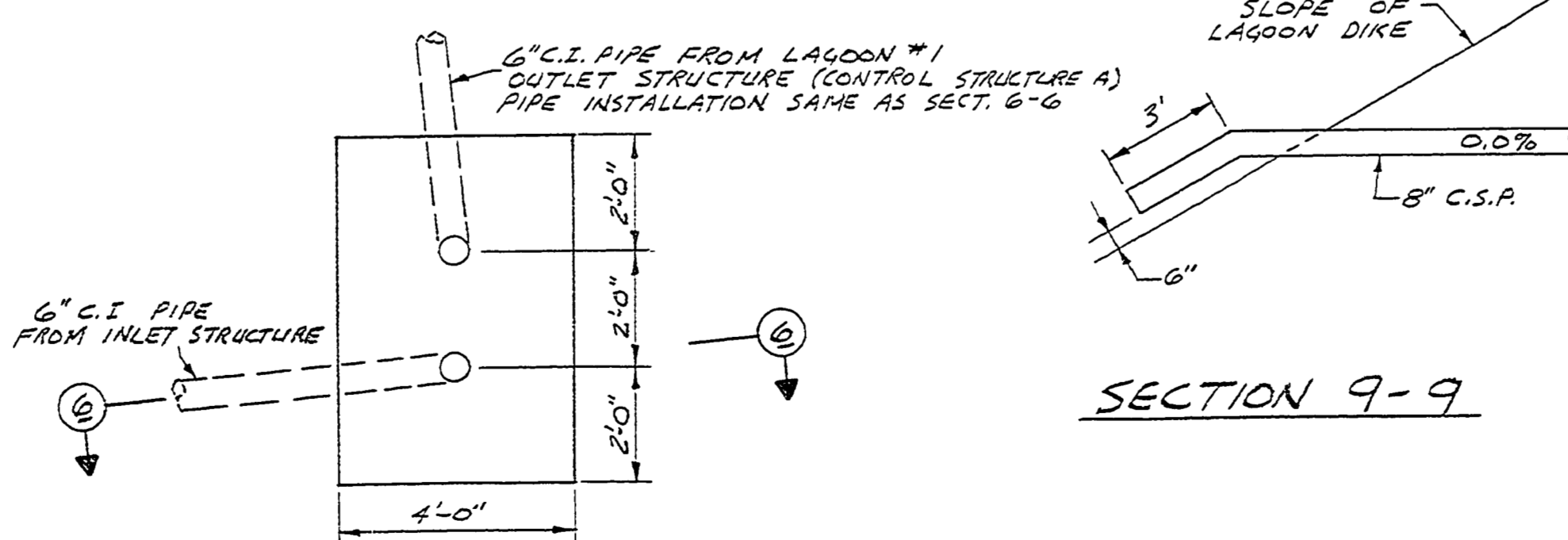


SECTION 10-10



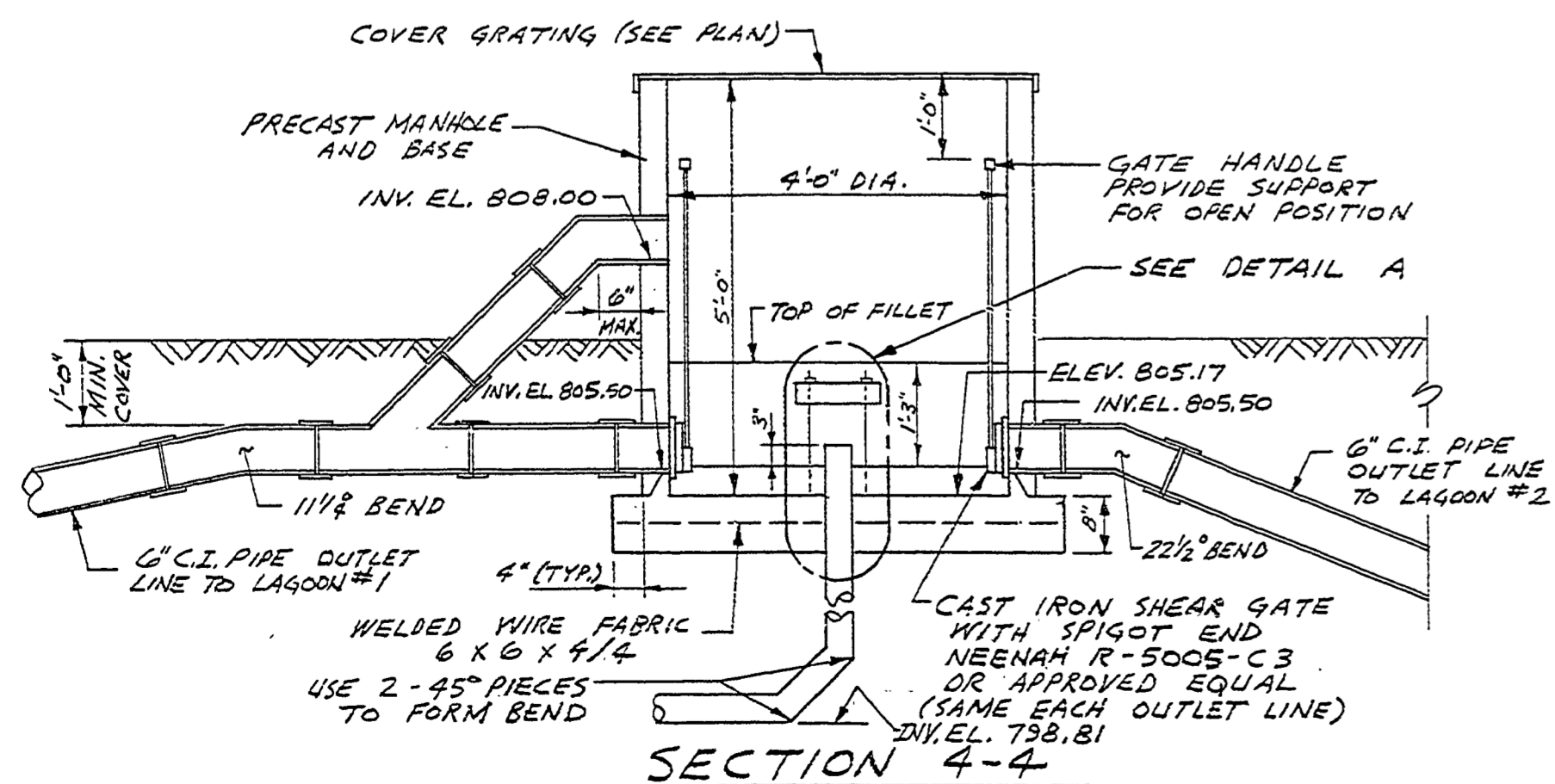
SECTION 8-8

SECTION 7-7



SECTION 9-9

PLAN OF INLET RISER AND PAD-LAGOON #2



SECTION 4-4

- NOTES:
1. SLIDE GATES TO HAVE FLAT BACKS WITH BACK SEAT MACHINED.
 2. CONTRACTOR TO PROVIDE TWO STANDARD "T" OPERATING WRENCHES WITH 4 SHARP LENGTH.
 3. GATE FRAMES TO BE FASTENED AT TOP WITH 3/4" MACH. BOLTS TO C.S.P. STRUCTURE. USE WOOD BLOCK SHIMS TO KEEP FRAME AT UNIFORM DISTANCE FROM WALL.

SURVEYED BY	DRAWN BY B. BOYCE	3-76	NO. DATE BY	REVISIONS	NO. DATE BY	REVISIONS	MICHIGAN DEPARTMENT OF NATURAL RESOURCES	STRUCTURE DETAILS SHEET TITLE	SLEEPY HOLLOW STATE PARK AREA OR PARK	PROJECT NO. 21-9542
DESIGNED BY R. HAEUSLER	CHECKED BY	DATE	1.		3.				SEWAGE SYSTEM PROJECT	SHEET 5 OF 10 PLAN NO. E-107