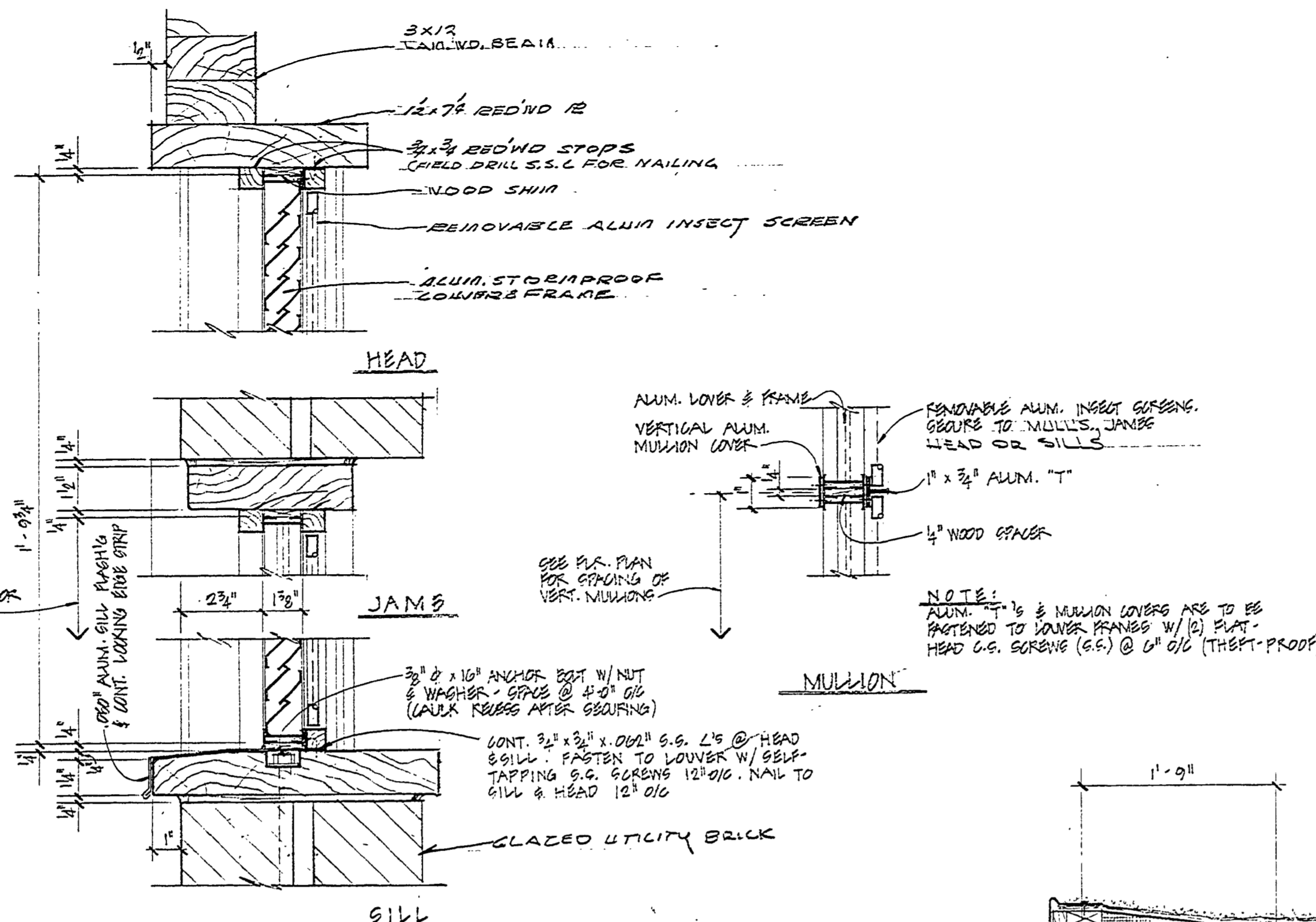
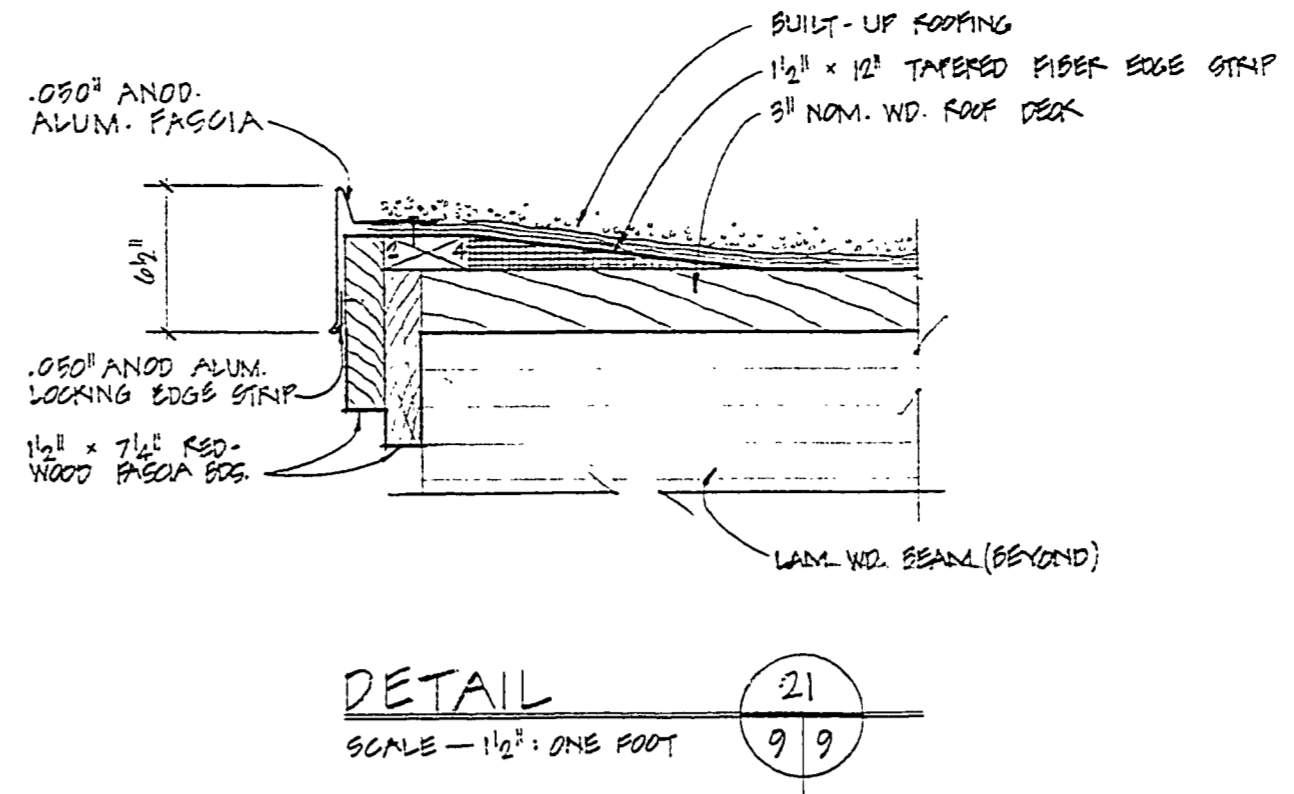


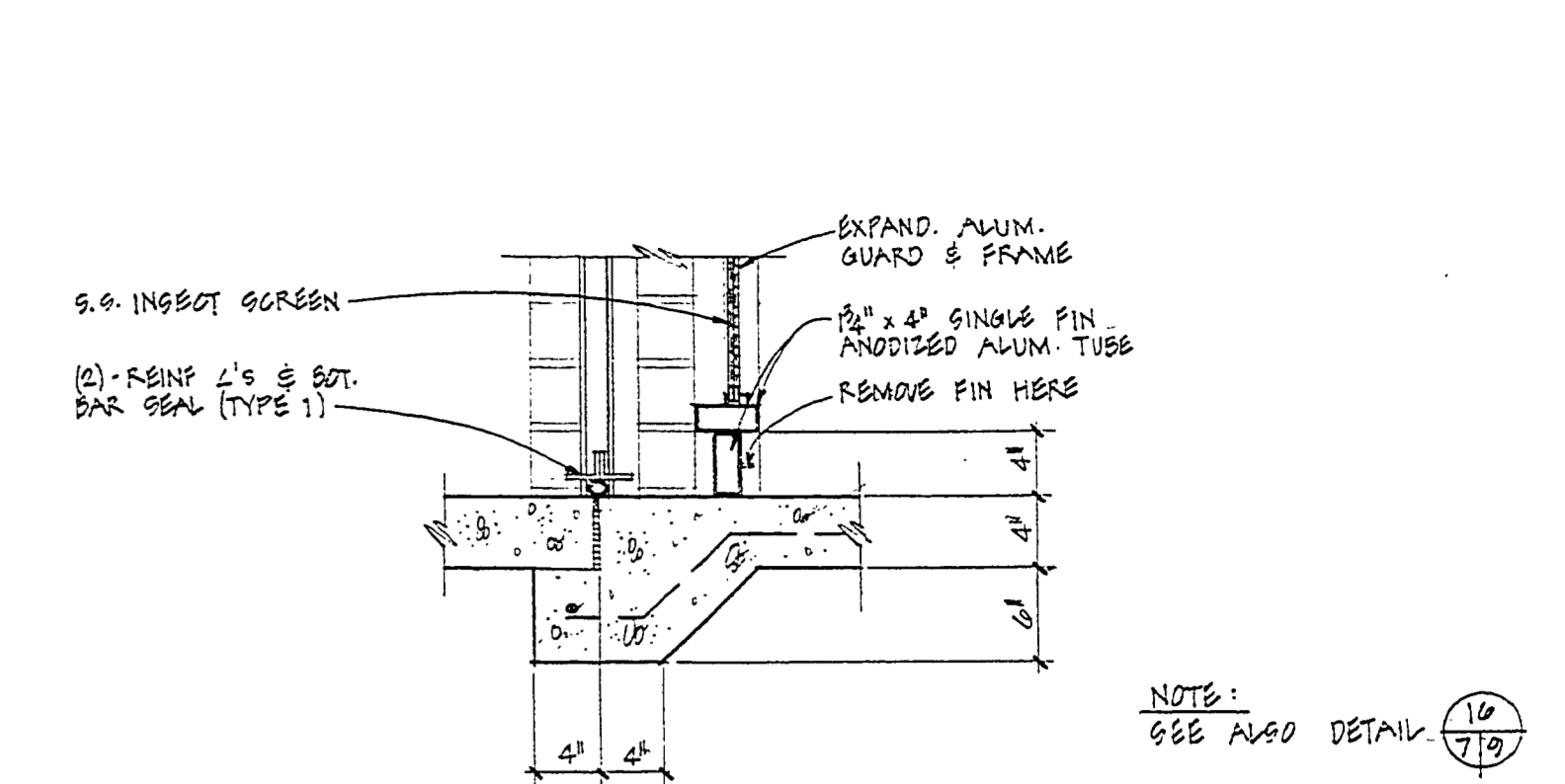
TYP. INT. WALL SECTION  
SCALE - 1\"/>



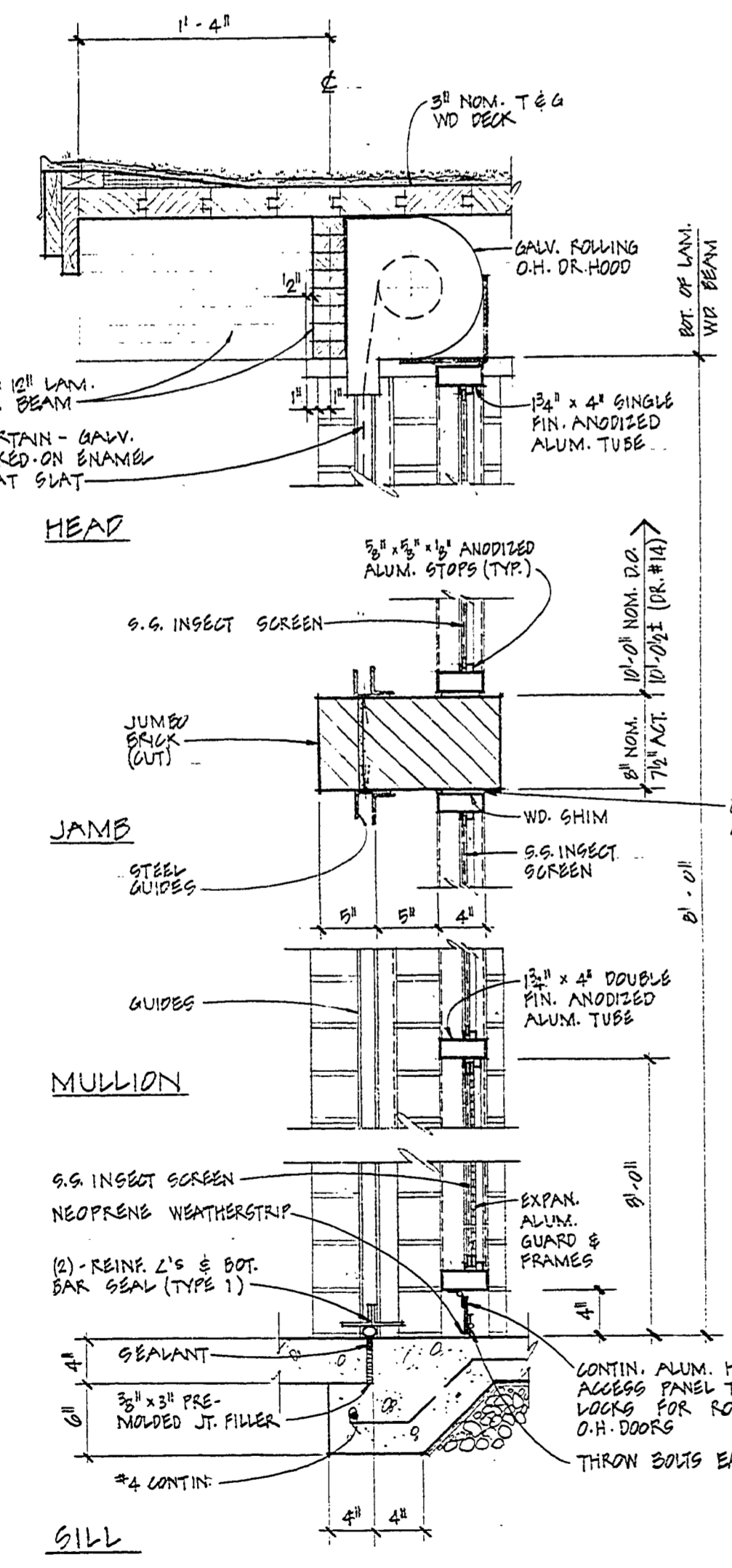
1. REV. DETAIL  
SCALE - 3\"/>



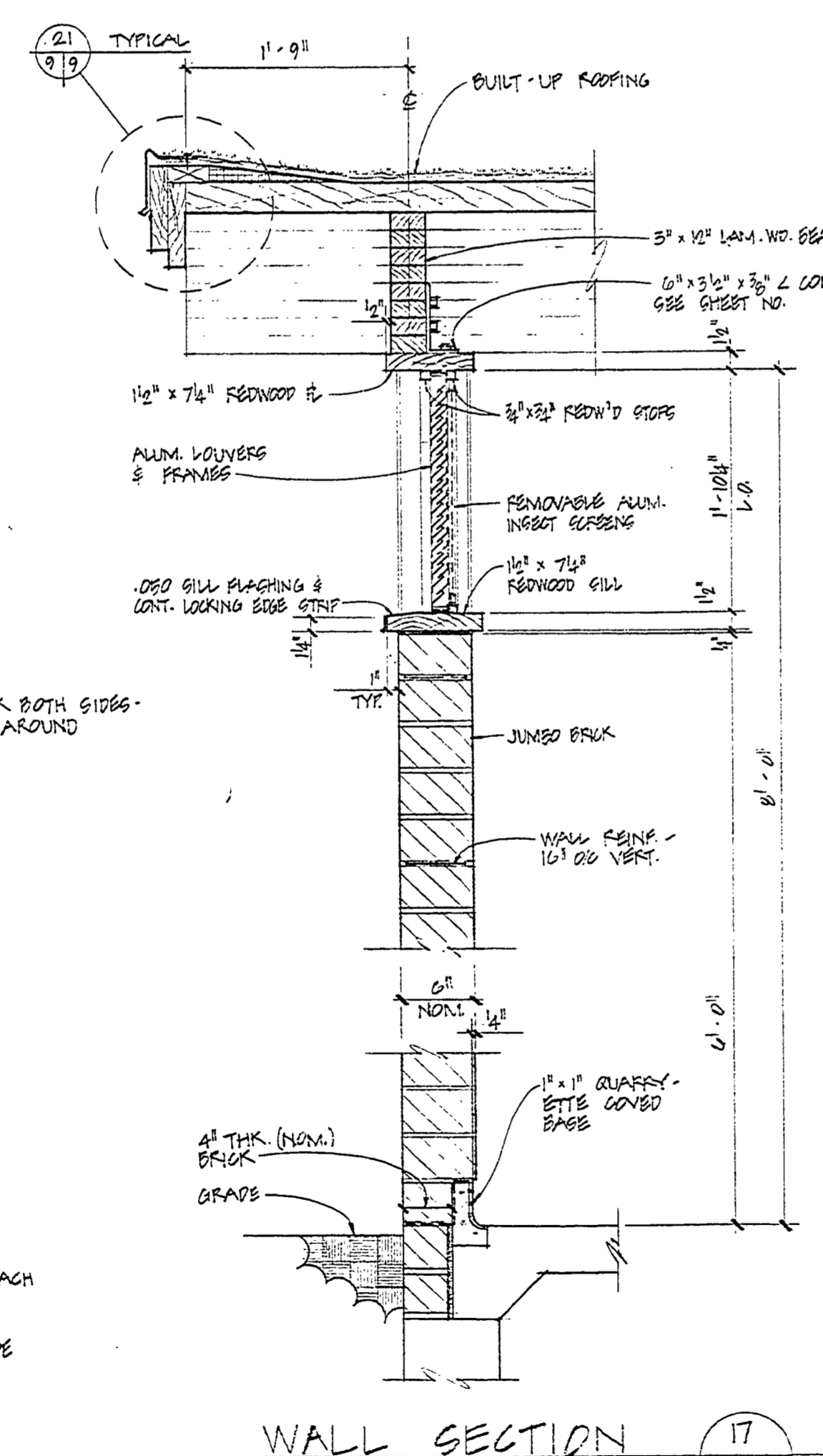
DETAIL  
SCALE - 1\"/>



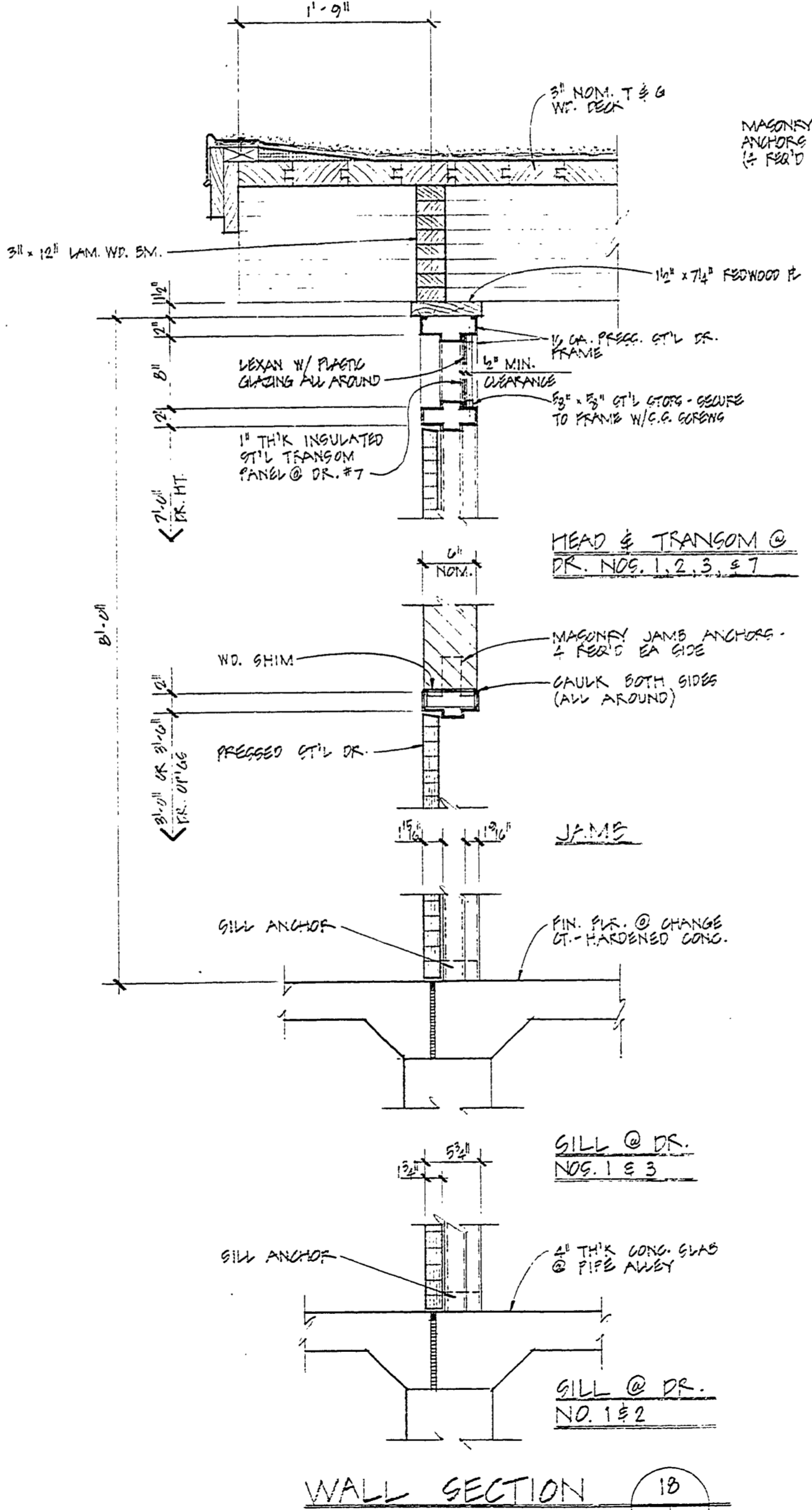
SILL DETAIL @ LOCATIONS WHERE LOCKING DEVICE IS NOT REQ'D  
SCALE 1\"/>



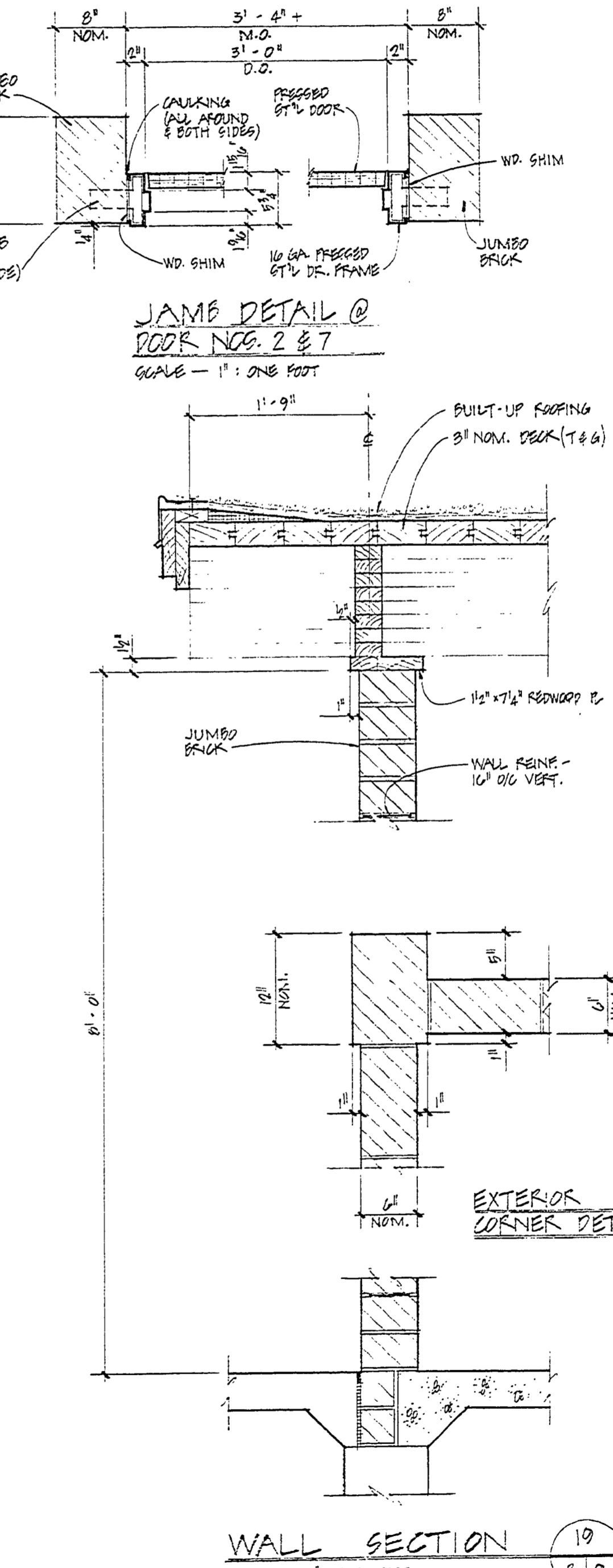
WALL SECTION  
SCALE 1\"/>



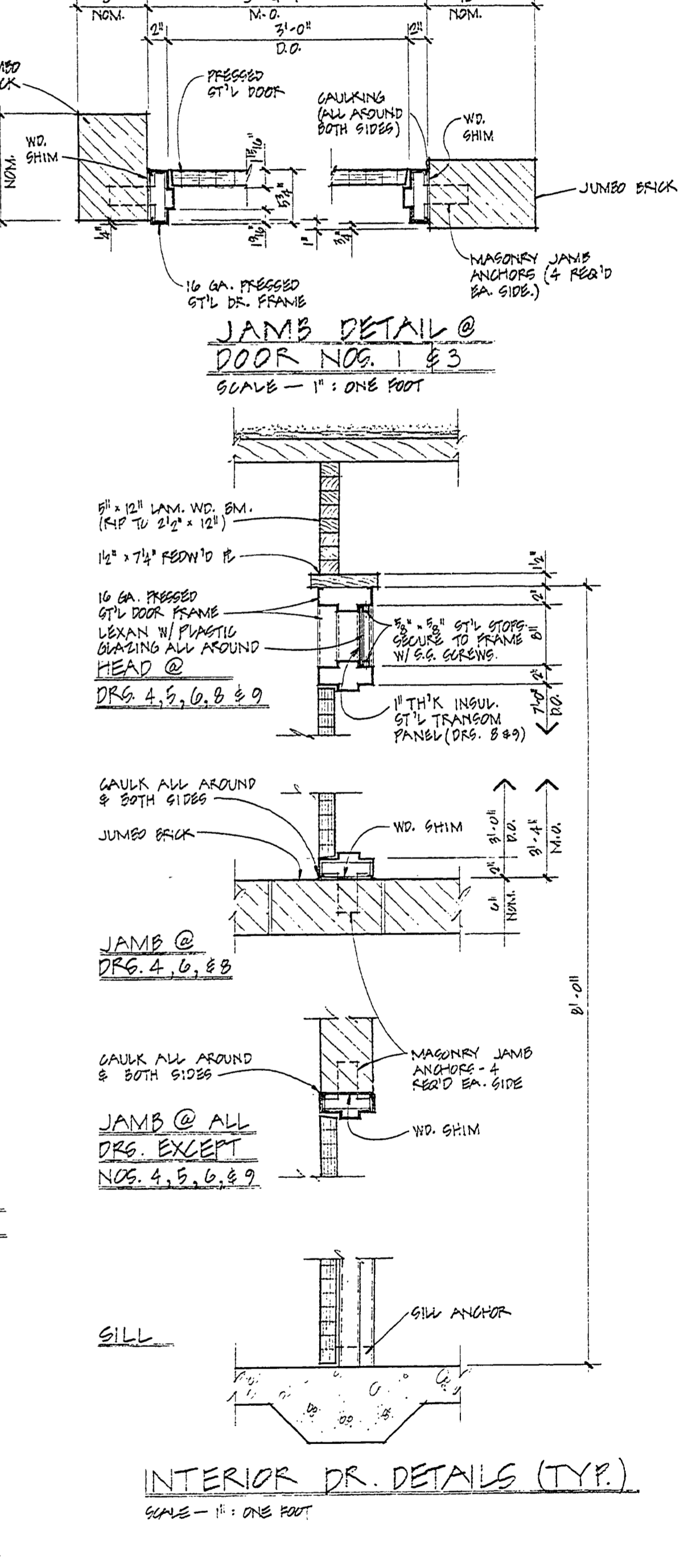
WALL SECTION  
SCALE - 1\"/>



WALL SECTION  
SCALE - 1\"/>



WALL SECTION  
SCALE - 1\"/>



INTERIOR DR. DETAILS (TYP.)  
SCALE - 1\"/>

SURVEYED BY	DRAWN BY	3/70	NO.	DATE	BY	REVISIONS	NO.	DATE	BY	REVISIONS	MICHIGAN DEPARTMENT OF NATURAL RESOURCES	WALL SECTIONS & DETAILS	GUSSEY HOLLOW STATE PARK AREA OR PARK BEACH HOUSE & CONSESSION PROJECT	PROJECT NO. 21-9533
DESIGNED BY	CHECKED BY		1.	6/27	LLC	(1) DET IS CHANGED FROM 6\"/>								
DATE			2.				3.				DEPARTMENT OF NATURAL RESOURCES	SHEET TITLE	SHEET 9 OF 13	PLAN NO. A-101