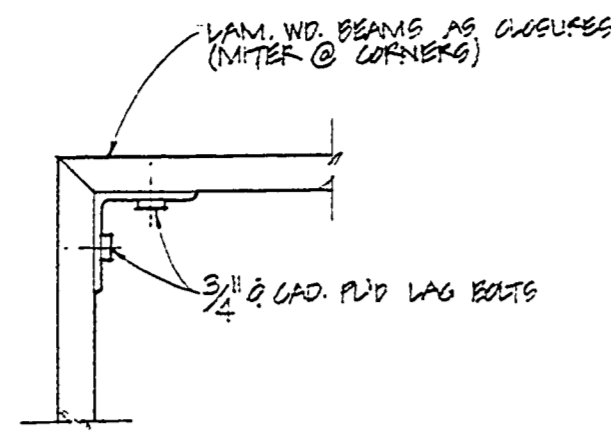
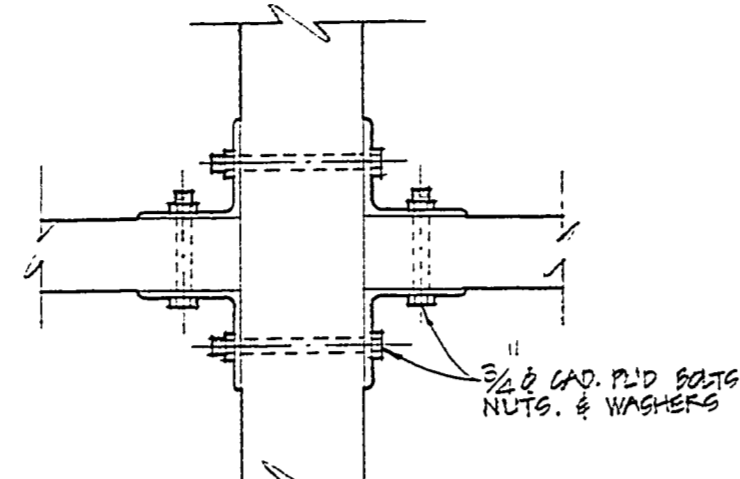


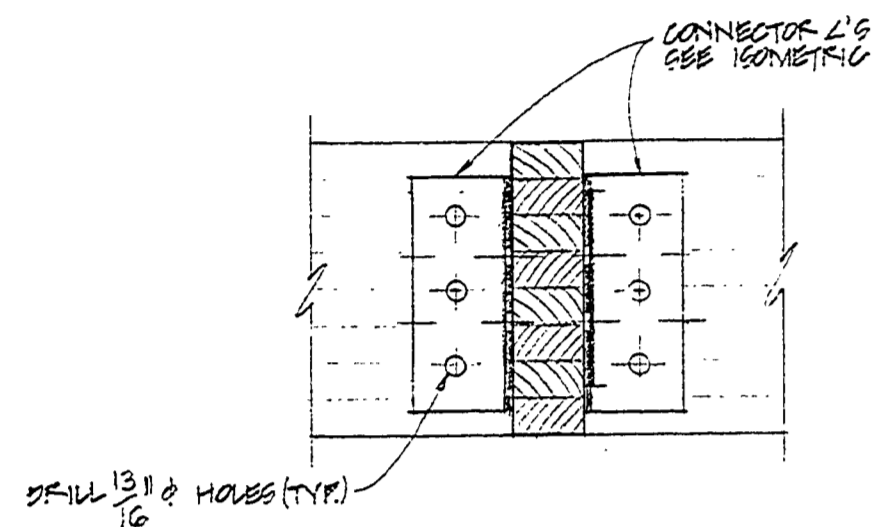
PLAN DETAIL - CONN.  
SCALE - 1/2" = ONE FOOT



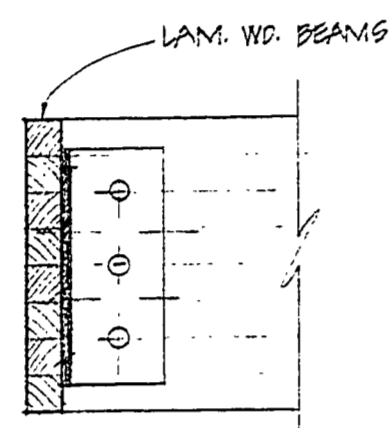
PLAN DETAIL - CONN.  
SCALE - 1/2" = ONE FOOT



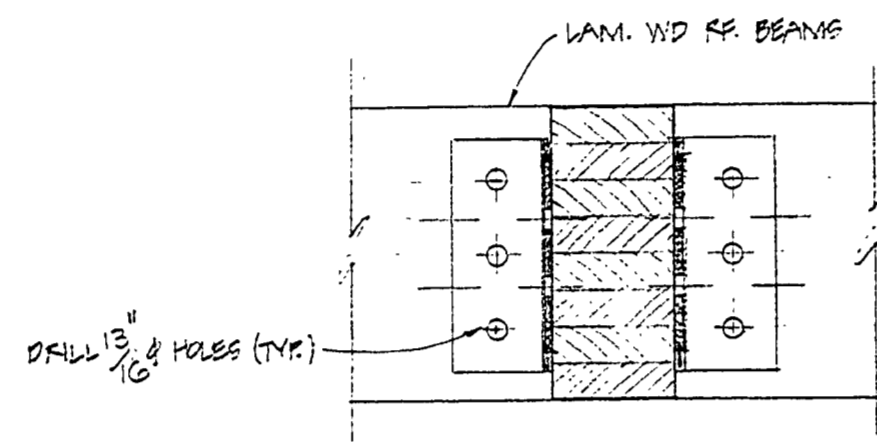
PLAN DETAIL - CONN.  
SCALE - 1/2" = ONE FOOT



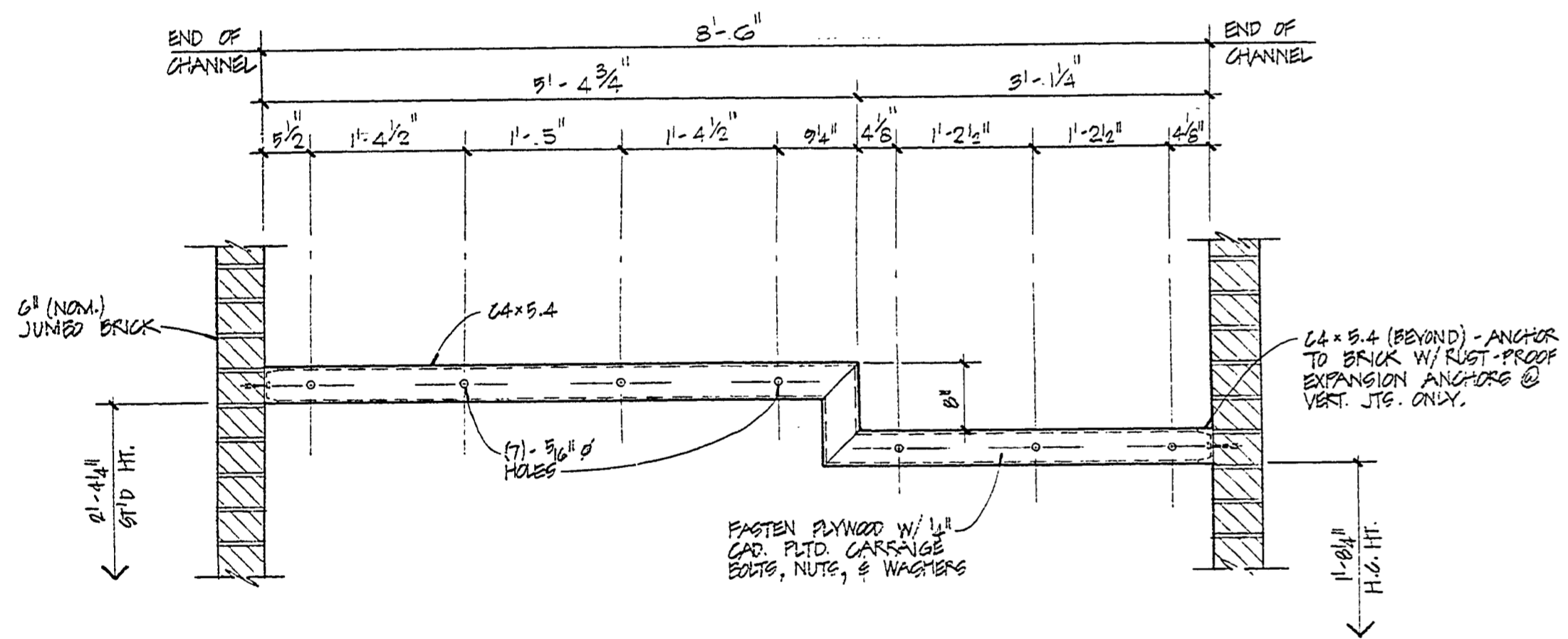
SECT. ELEV. - CONN.  
SCALE - 1/2" = ONE FOOT



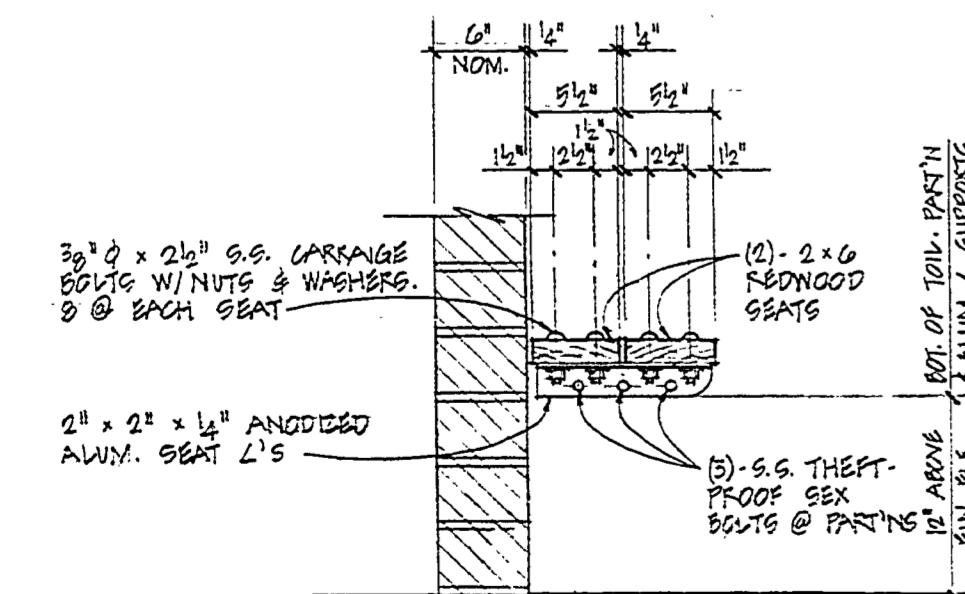
SECT. ELEV. - CONN.  
SCALE - 1/2" = ONE FOOT



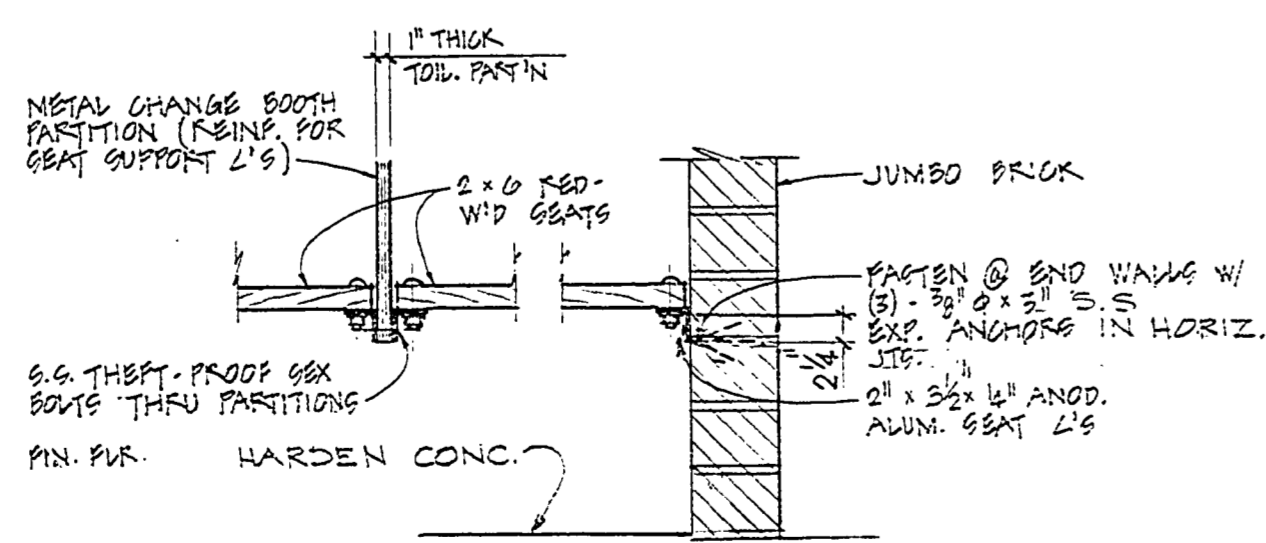
SECT. ELEV. - CONN.  
SCALE - 1/2" = ONE FOOT



LAV. SUPPORT CHANNEL (ELEVATION)  
SCALE - 3/4" = ONE FOOT

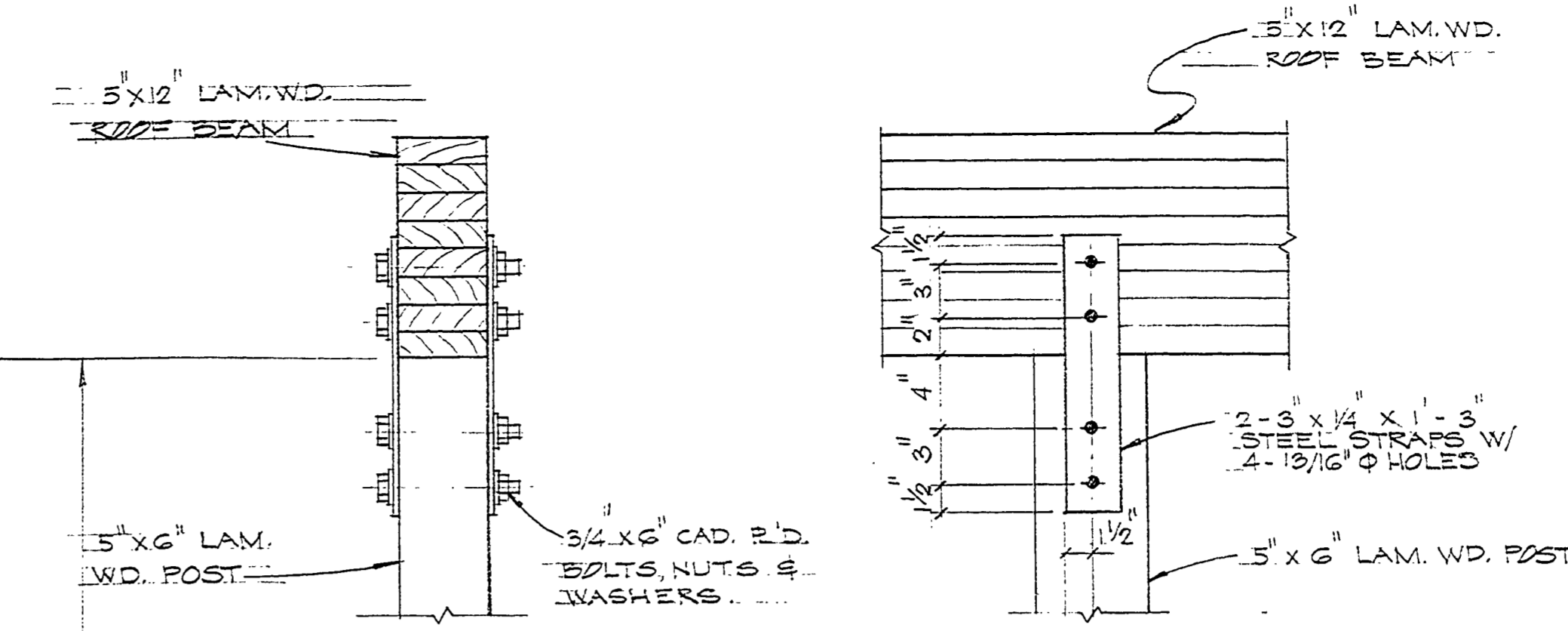


SECTION

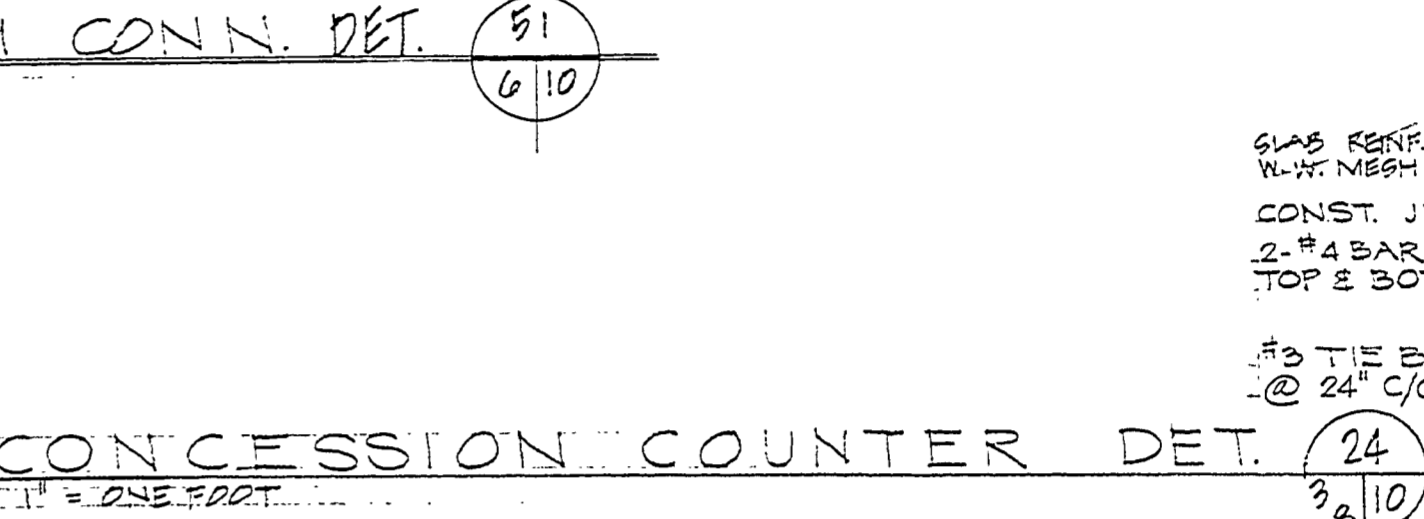


ELEVATION

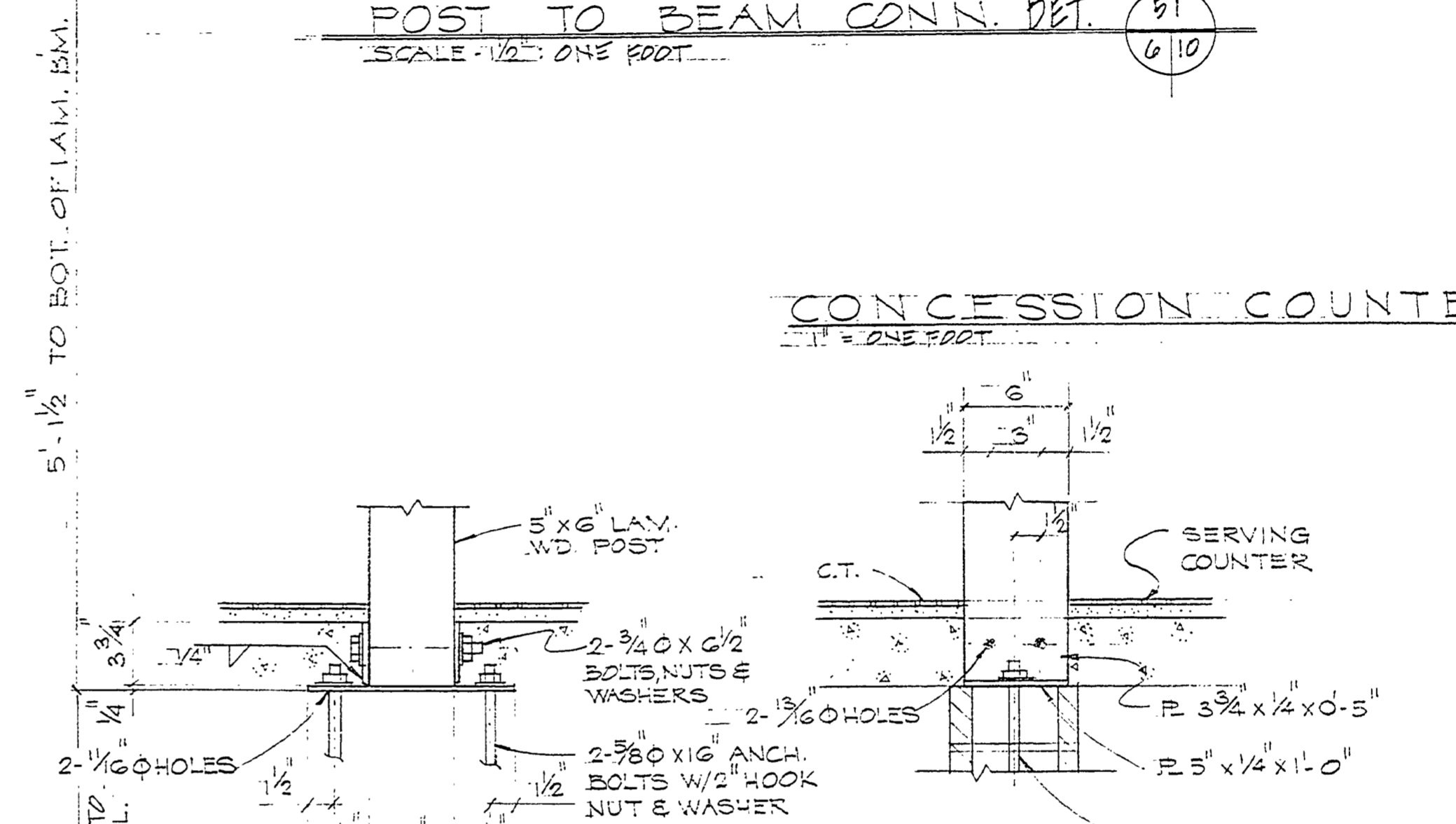
WOOD SEAT DETAILS  
SCALE - 1" = ONE FOOT



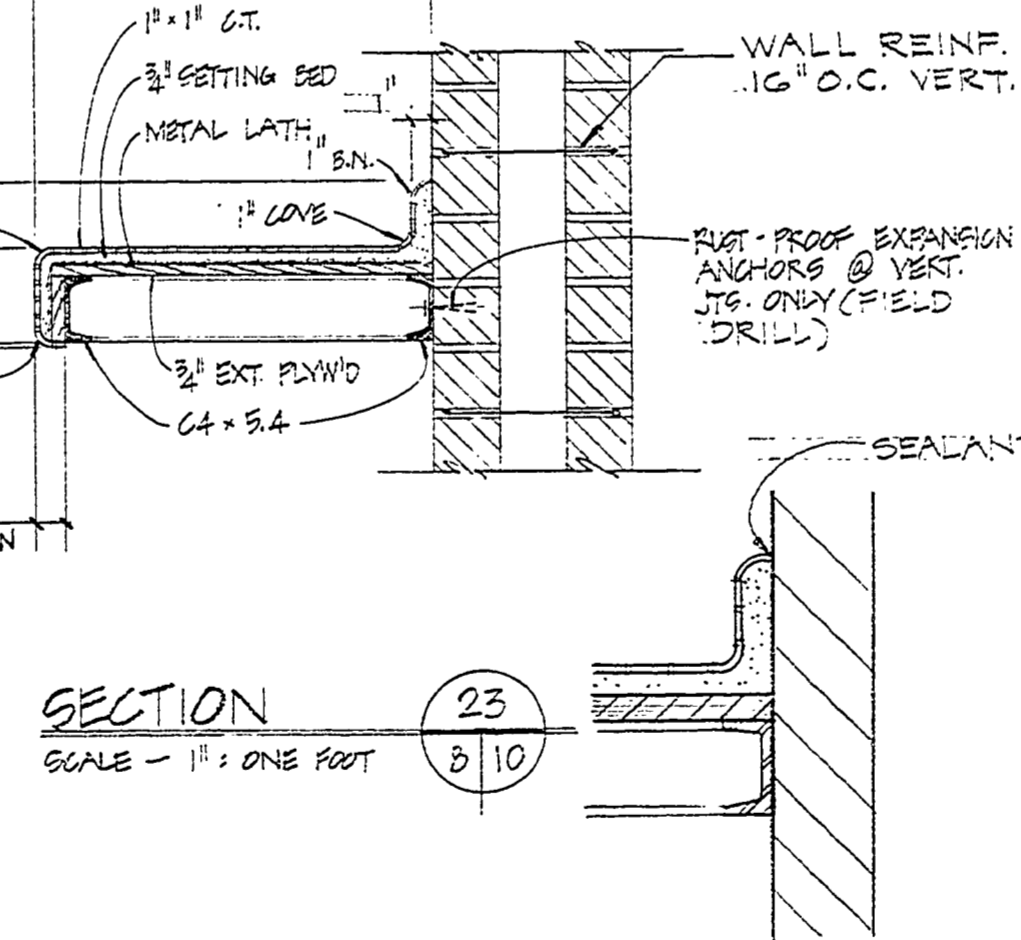
POST TO BEAM CONN. DET.  
SCALE - 1/2" = ONE FOOT



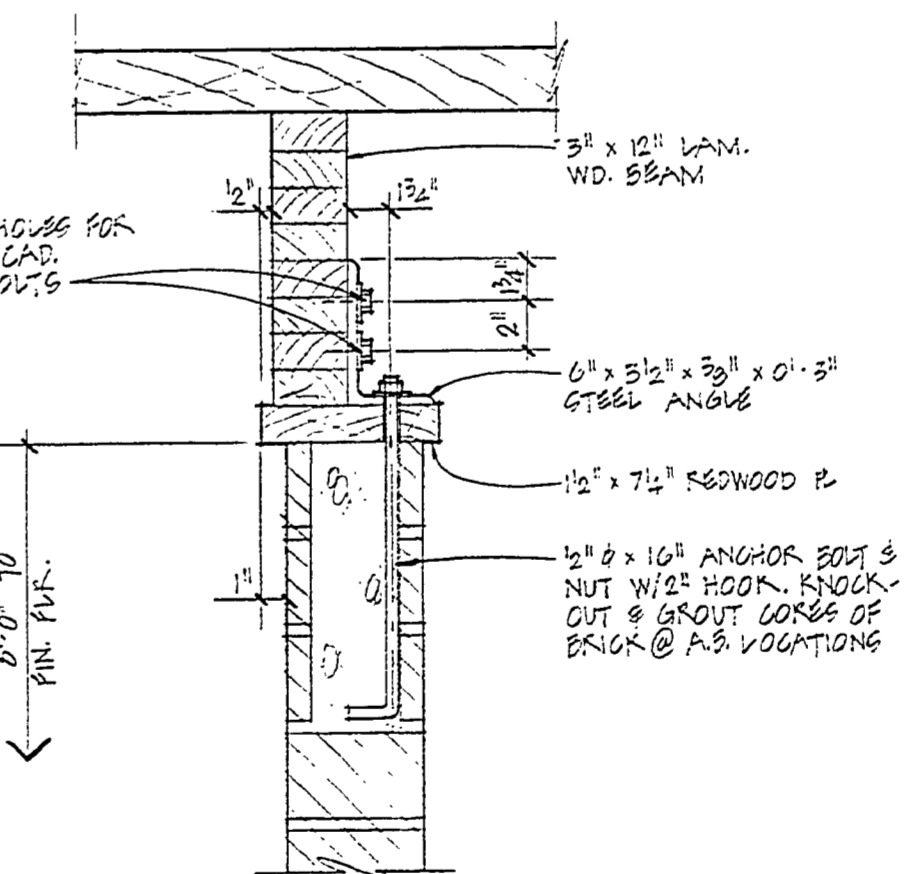
CONCESSION COUNTER DET.  
SCALE - 1/2" = ONE FOOT



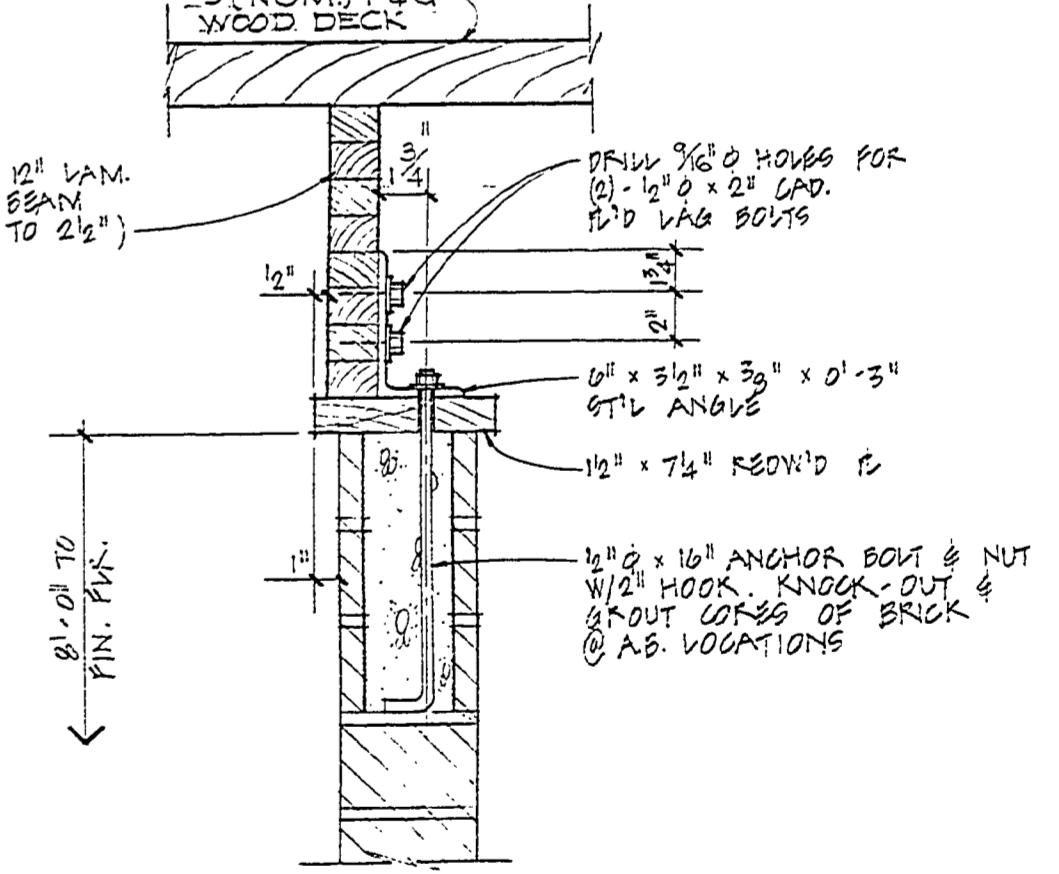
POST BASE CONN. DET.  
SCALE - 1/2" = ONE FOOT



SECTION  
SCALE - 1" = ONE FOOT



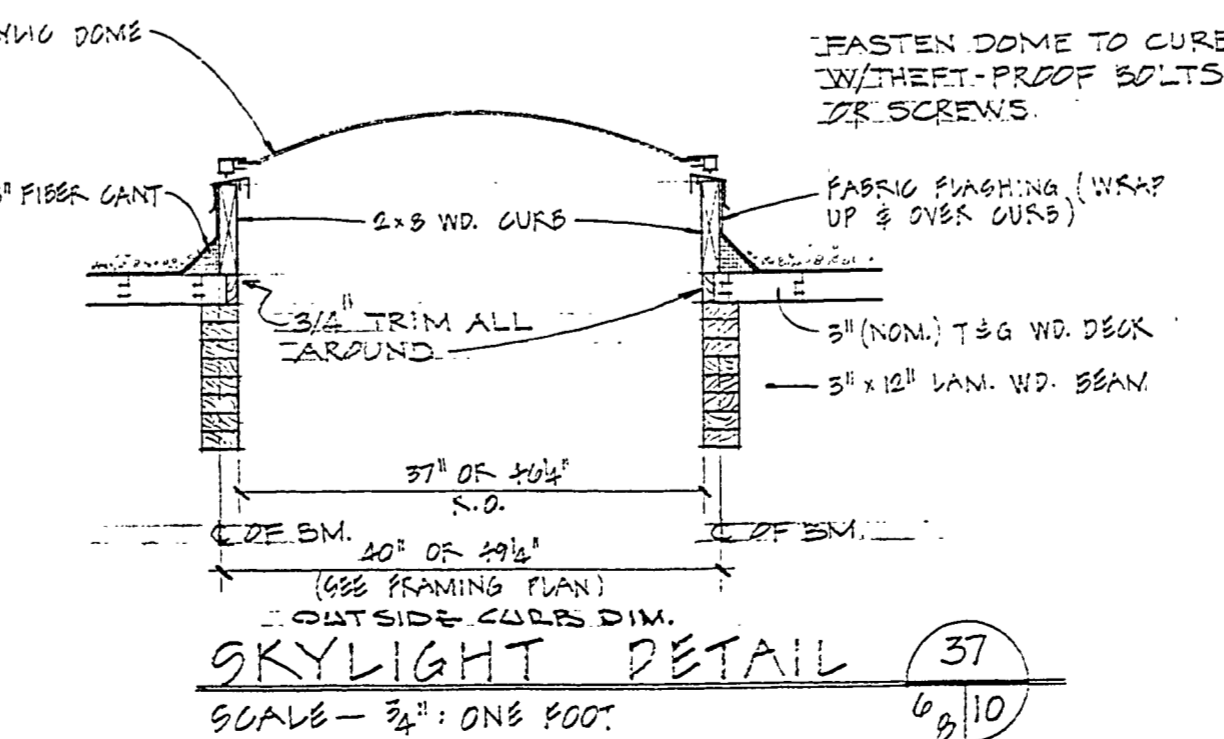
TYPICAL CONNECTION @ EXT. OR INT. WALLS  
SCALE - 1/2" = ONE FOOT



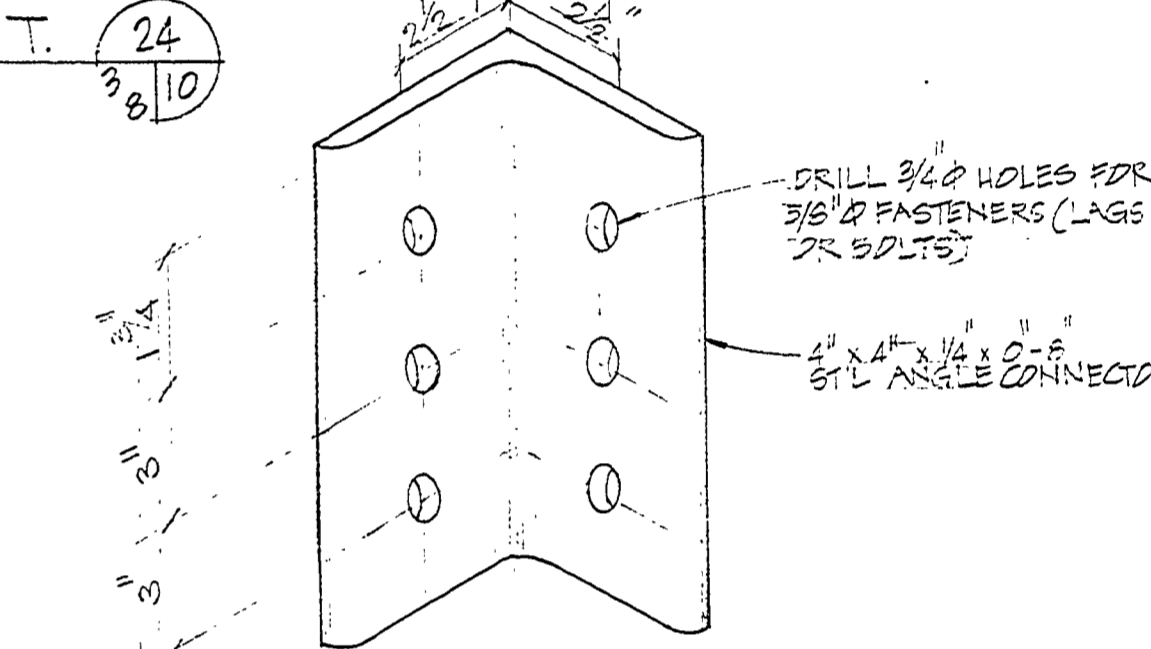
CONNECTION @ INT. WALLS (TYPICAL)  
SCALE - 1/2" = ONE FOOT



ISOMETRIC OF STEEL CONNECTOR (TYPICAL @ ALL CONN.)  
NOT TO SCALE



SKYLIGHT DETAIL  
SCALE - 3/4" = ONE FOOT



CONNECTION @ INT. WALLS (TYPICAL)  
SCALE - 1/2" = ONE FOOT

SURVEYED BY	DRAWN BY	8/76	NO.	DATE	BY	REVISIONS	NO.	DATE	BY	REVISIONS	MICHIGAN DEPARTMENT OF NATURAL RESOURCES	GEOTIONS & DETAILS SHEET TITLE	GRUBBY HOLLOW STATE PARK AREA OR PARK	PROJECT NO. 21-9550
DESIGNED BY	CHECKED BY		1.				3.						BRACK HOUSES & CONCESSION PROJECT	SHEET 10 OF 15
	DATE		2.				4.							PLAN NO. A-101