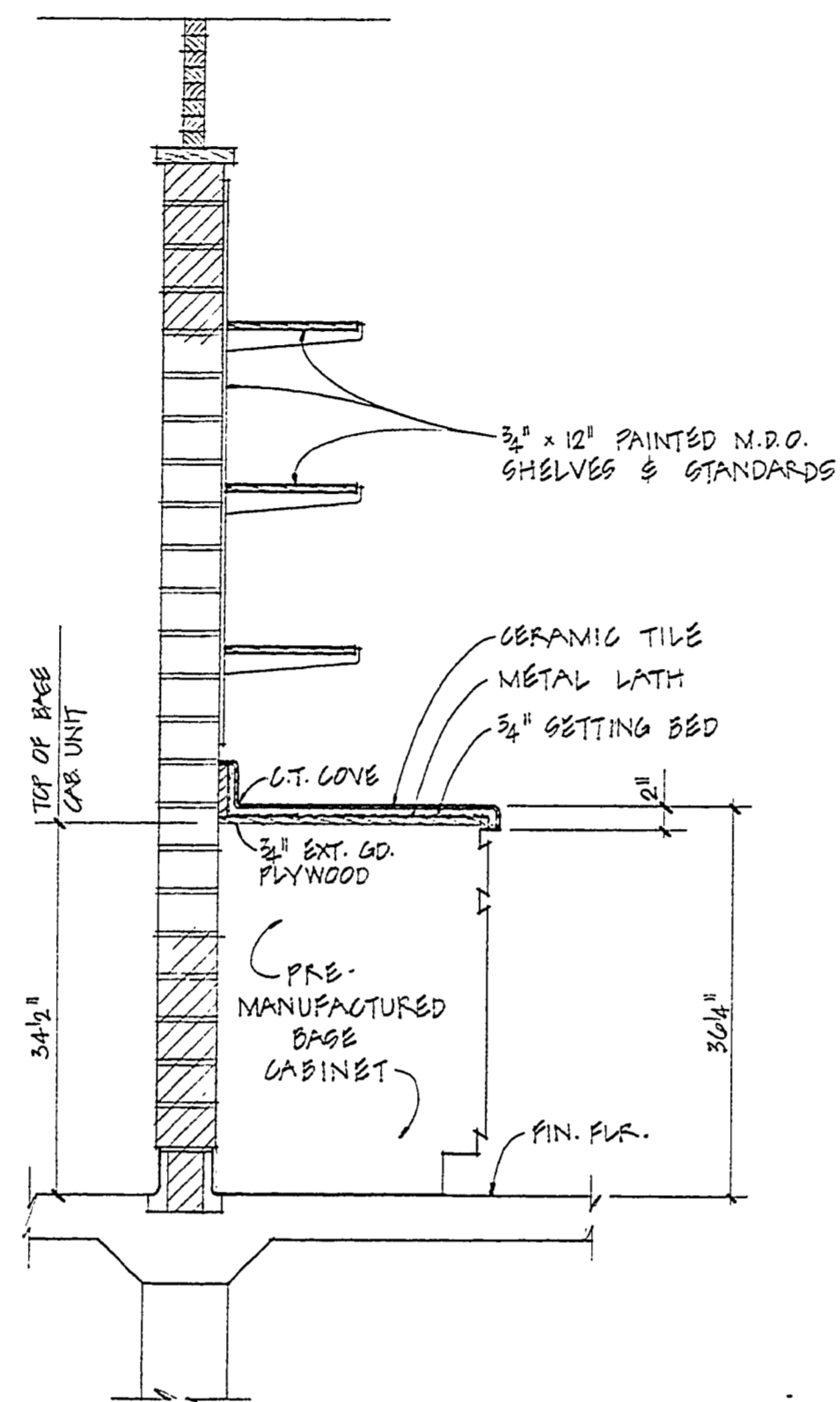
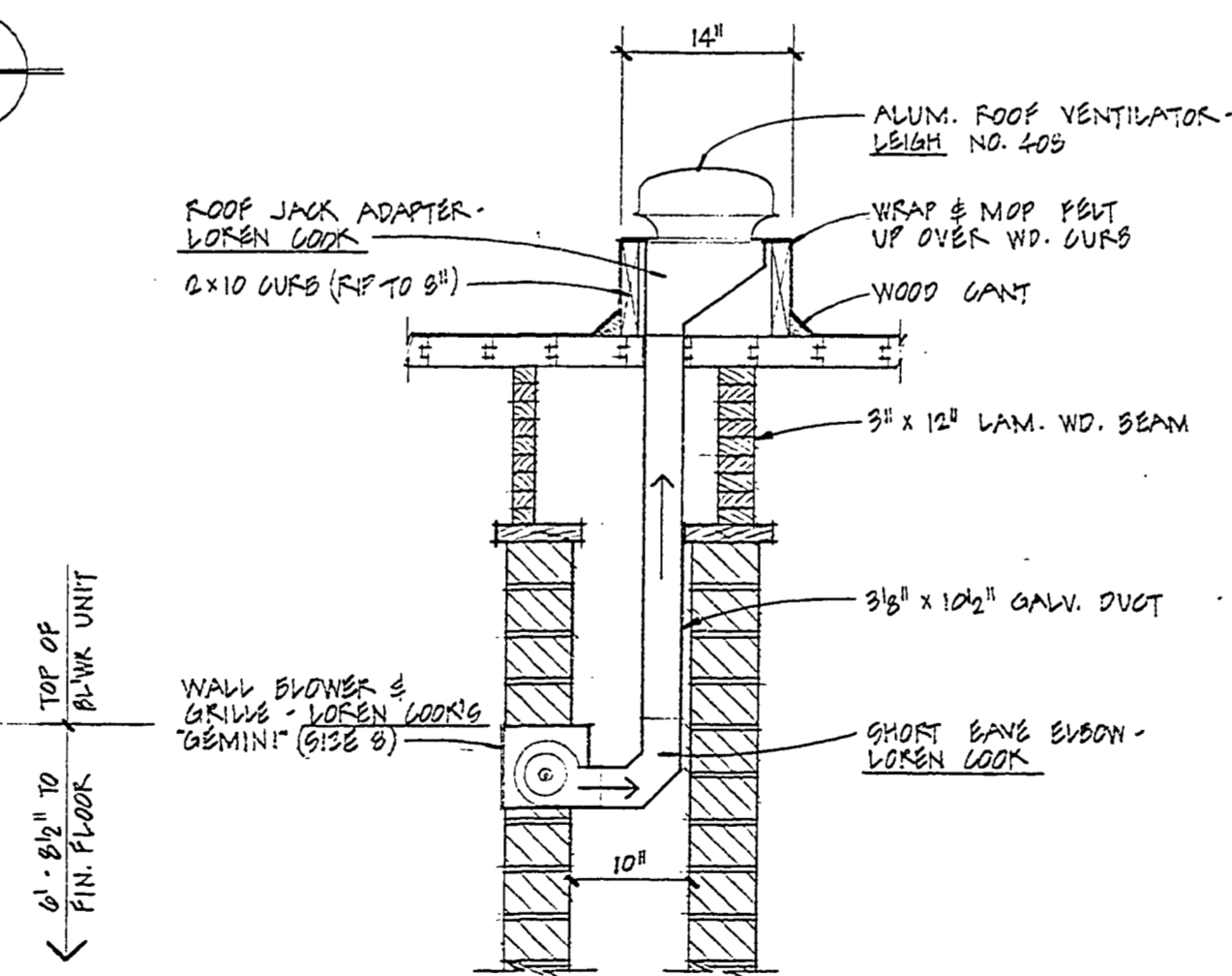


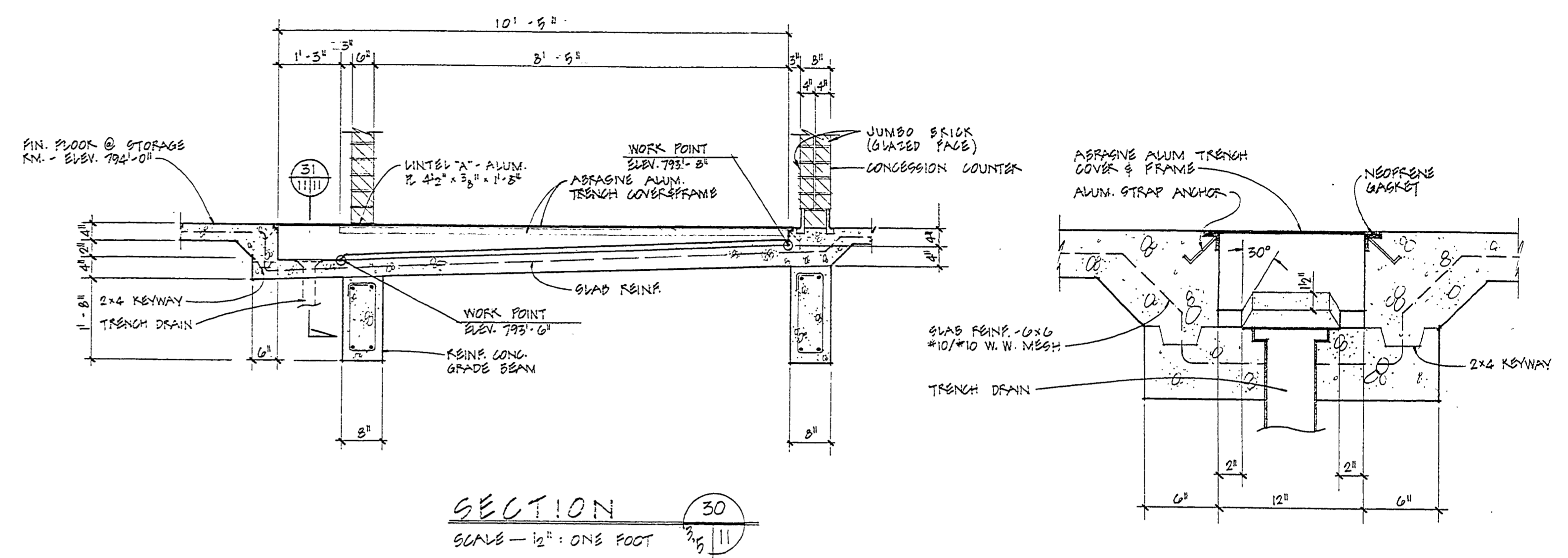
SECTION 32  
SCALE - 3/4\"/>



SECTION 33  
SCALE - 3/4\"/>

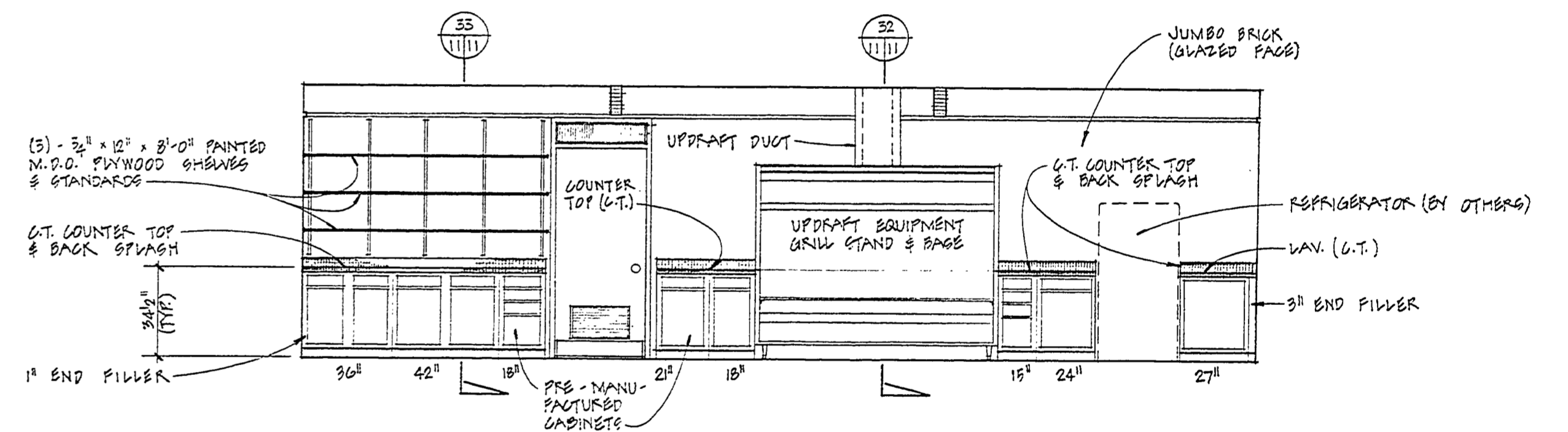


SECTION 34  
SCALE - 3/4\"/>



SECTION 30  
SCALE - 1/2\"/>

SECTION 31  
SCALE - 1/2\"/>



ELEVATION - E. WALL OF CONCESSION  
SCALE - 1/4\"/>

SURVEYED BY	DRAWN BY	8/76	NO.	DATE	BY	REVISIONS	NO.	DATE	BY	REVISIONS	MICHIGAN DEPARTMENT OF NATURAL RESOURCES	DETAILED SECTIONS, INT. ELEVATIONS	SLEEPY HOLLOW STATE PARK	PROJECT NO. 21-9538
DESIGNED BY	CHECKED BY		1.				3.					SHEET TITLE	BEACH HOUSE & CONCESSION	SHEET 11 OF 15
	DATE		2.				4.						PROJECT	PLAN NO. A-2100