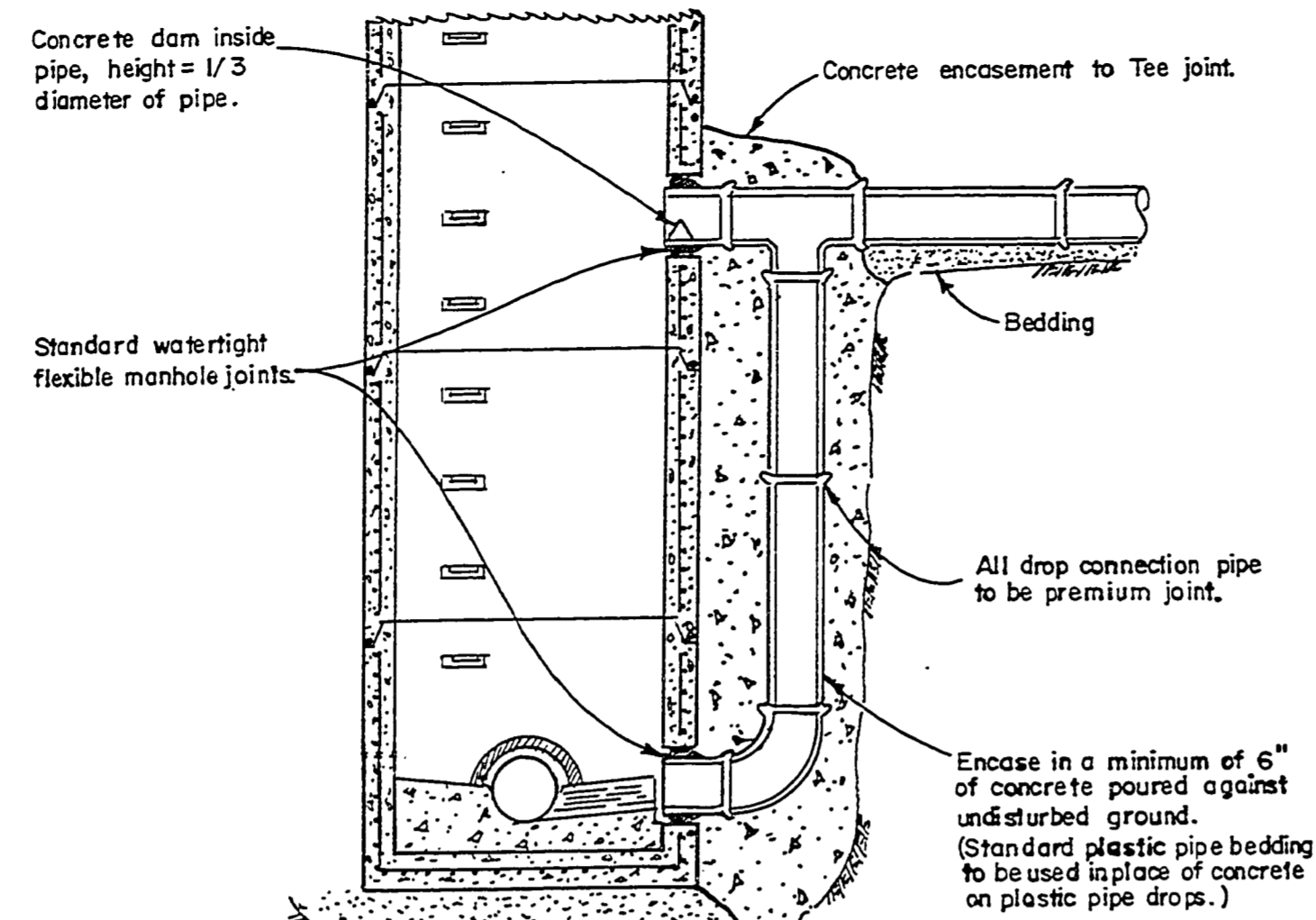
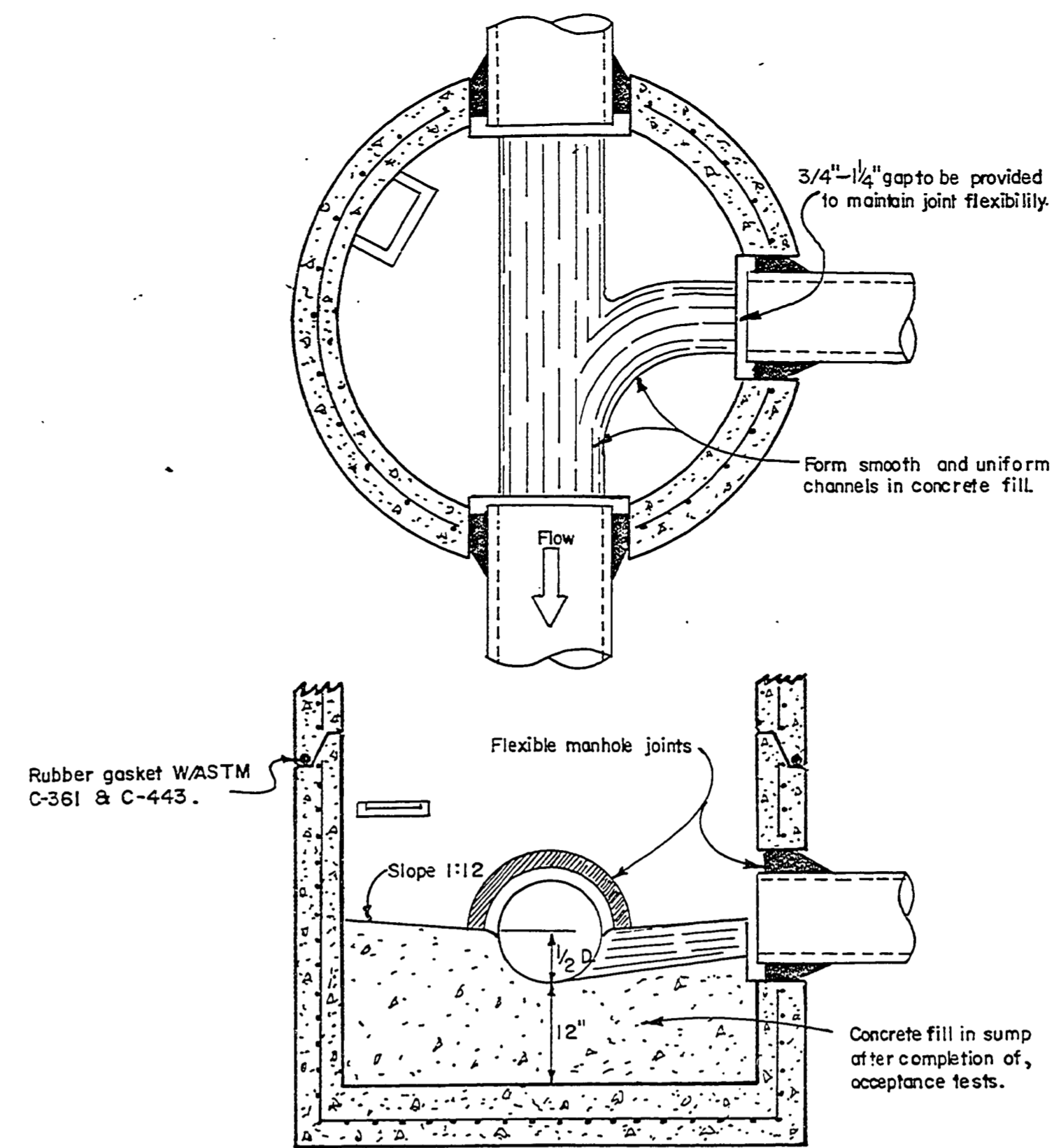


STANDARD MANHOLE

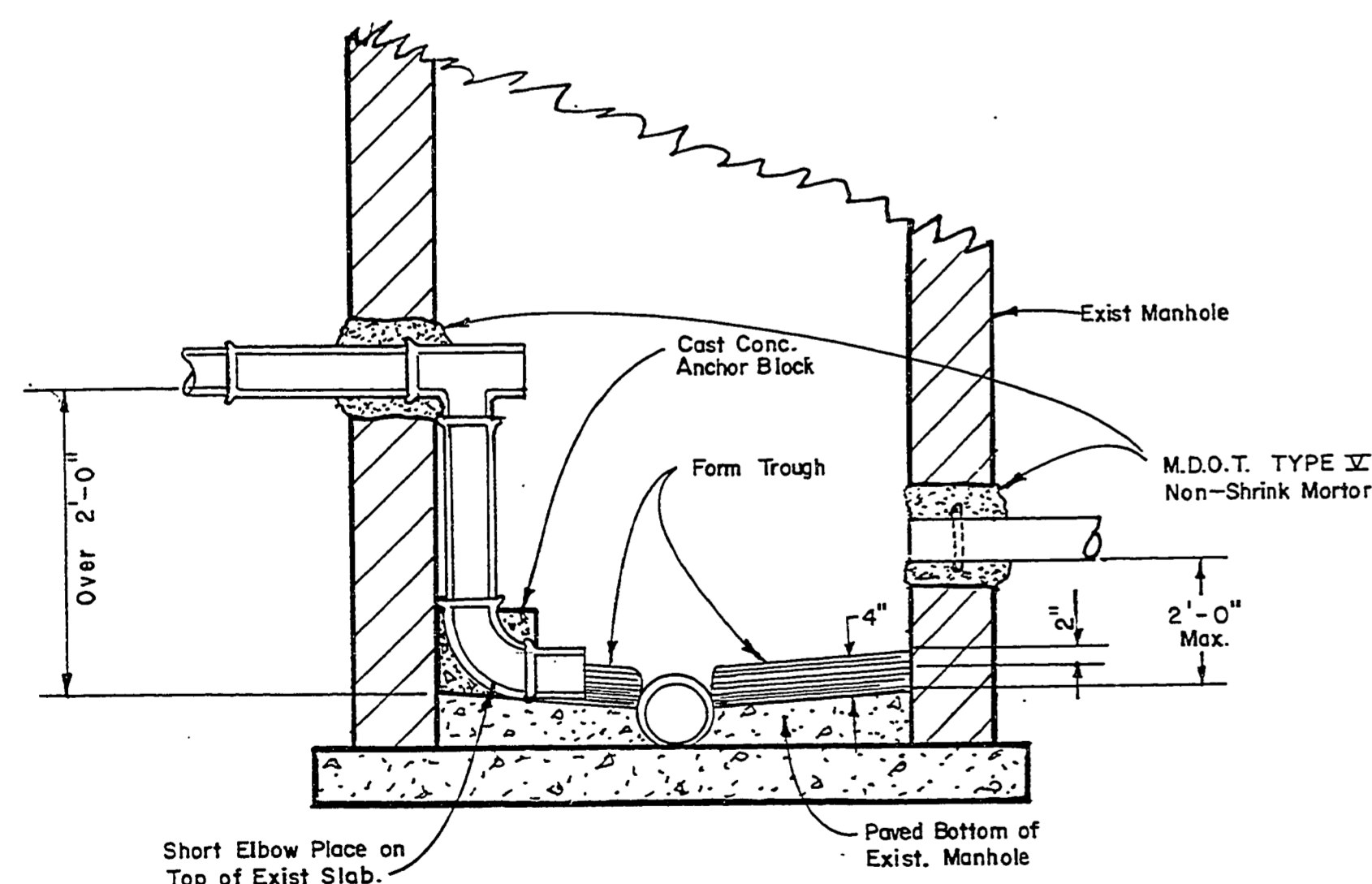


DROP MANHOLE CONNECTION

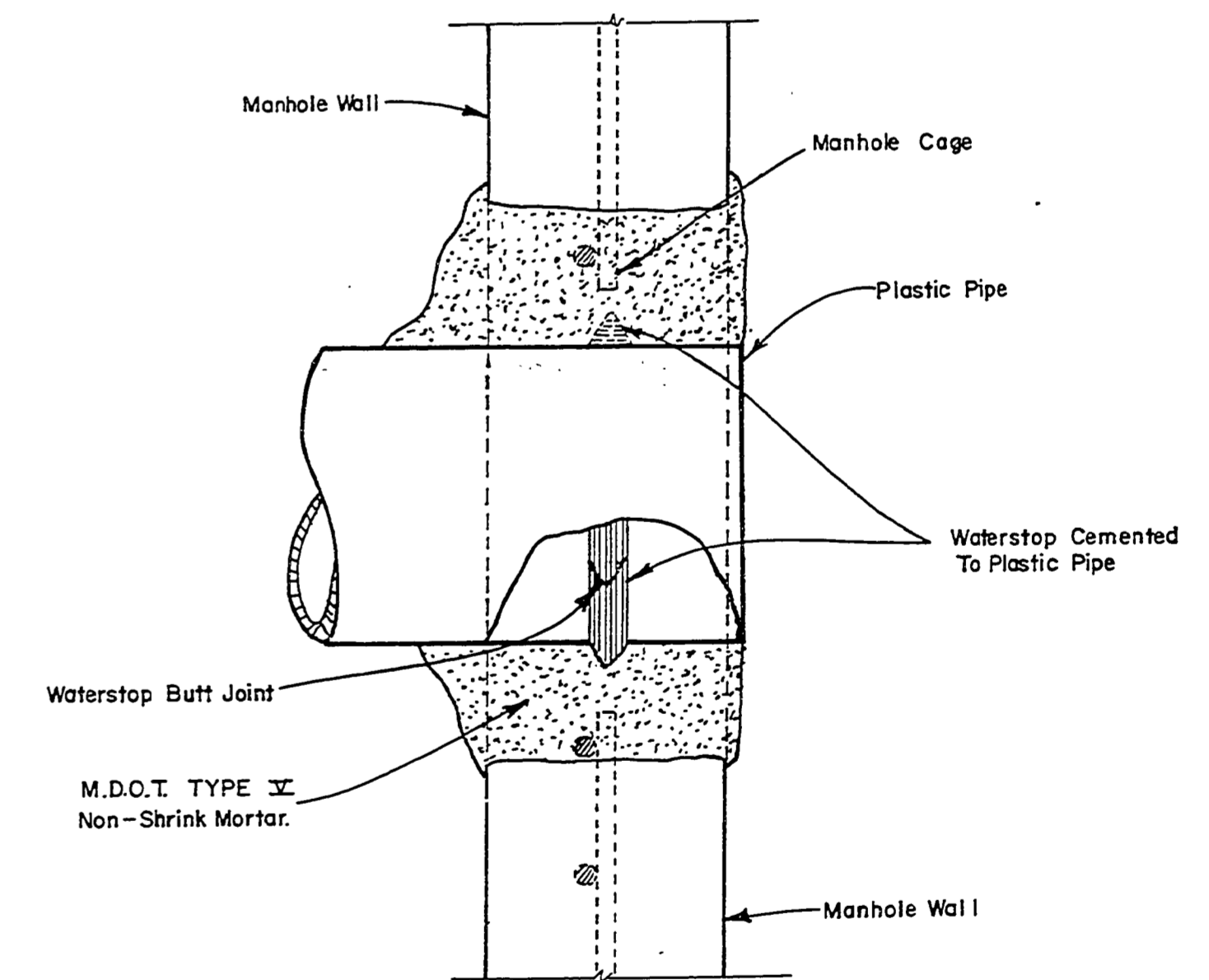
*DROP MANHOLE CONNECTION SHALL BE USED ON ALL MANHOLES WHEN AN INCOMING SEWER PIPE FLOW LINE IS HIGHER THAN 2 FEET ABOVE OUT FLOW SEWER LINE.*



SUMP MANHOLE



NEW CONNECTION AT EXISTING MANHOLE



PLASTIC PIPE MANHOLE JUNCTION

SURVEYED BY	DESIGNED BY	DRAWN BY	CHECKED BY	NO.	DATE	BY	REVISIONS	NO.	DATE	BY	REVISIONS	MICHIGAN DEPARTMENT OF NATURAL RESOURCES	STANDARD MANHOLE SHEET TITLE	AREA OR PARK	PROJECT NO.	PROJECT	SHEET	OF	PLAN NO.	
	A. EGDES	LEMMON	B6	1.				3.						SLEEPY HOLLOW S.P.	21-2587	CAMPBOND DEVELOPMENT	17	19	E-115	
DATE				2.				4.						MODERN						