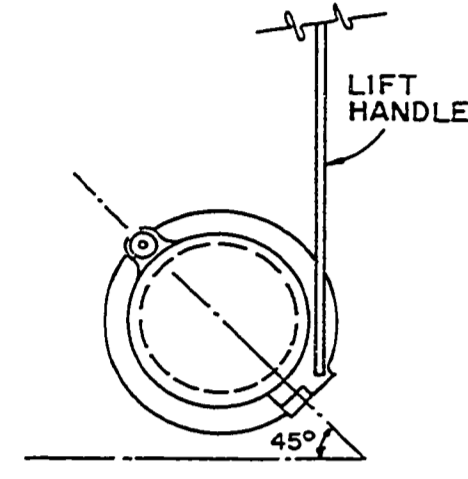


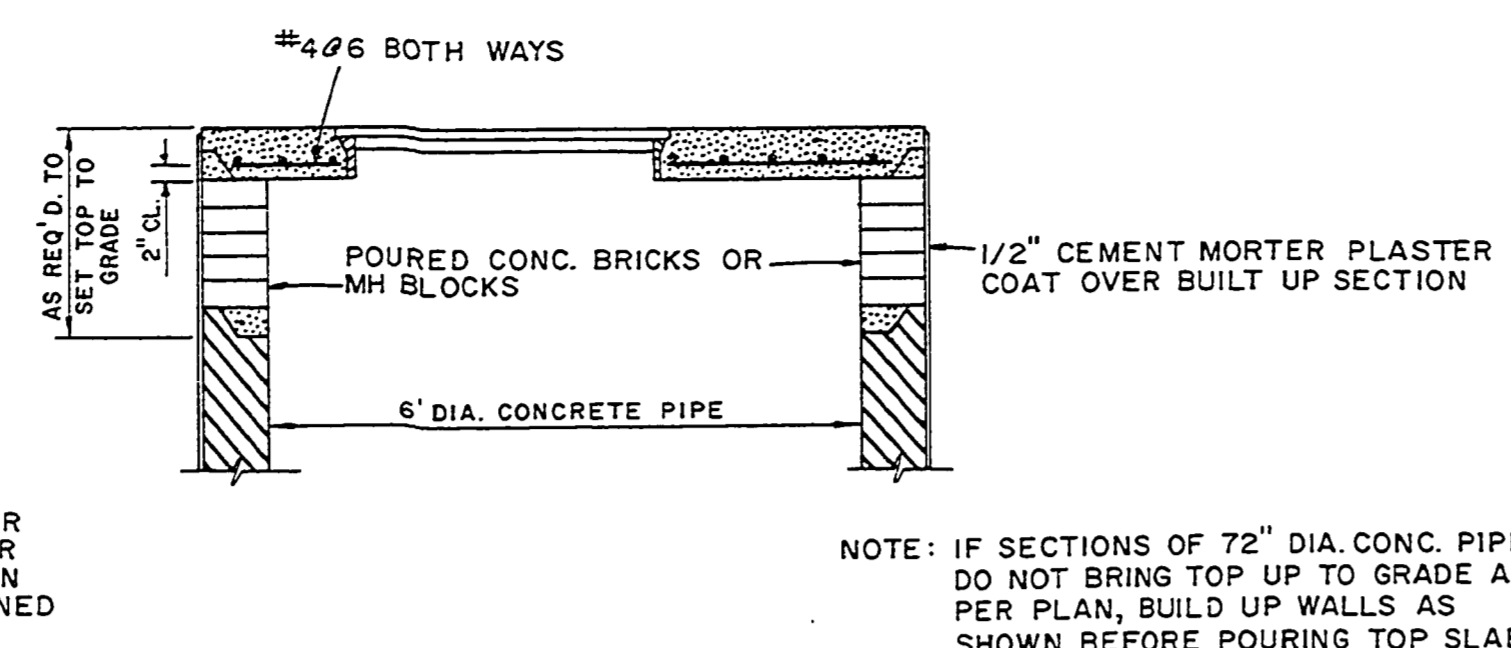
PLAN WITH TOP



SHEAR GATE DETAIL

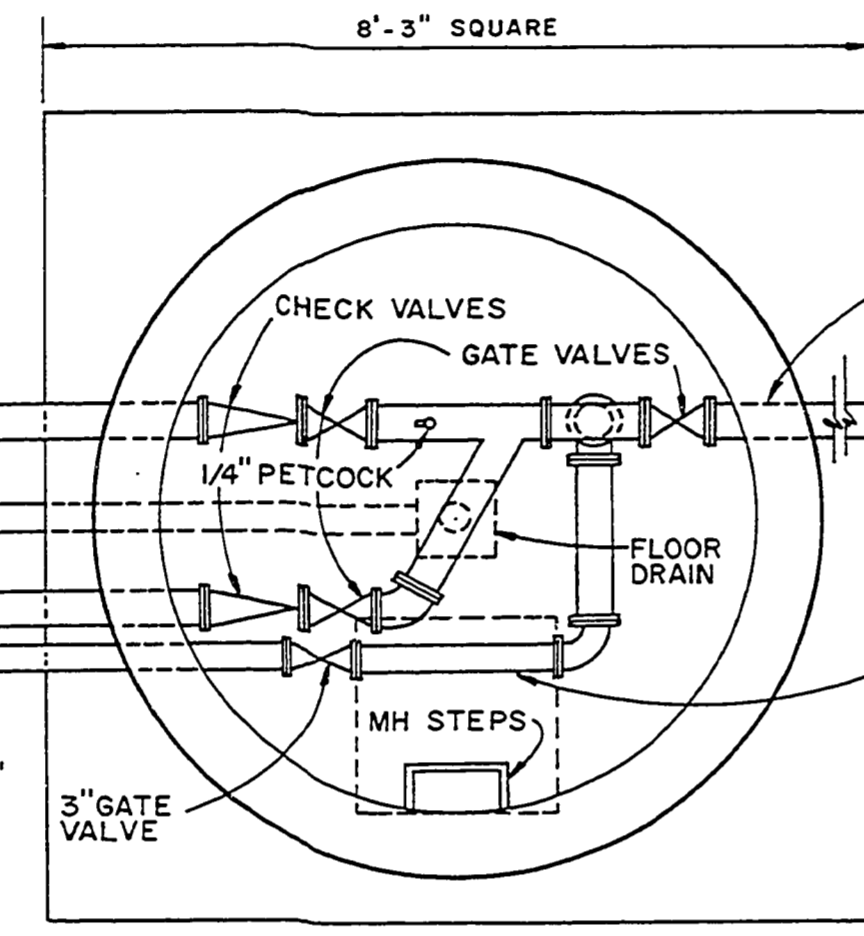


PLAN WITH TOP REMOVED

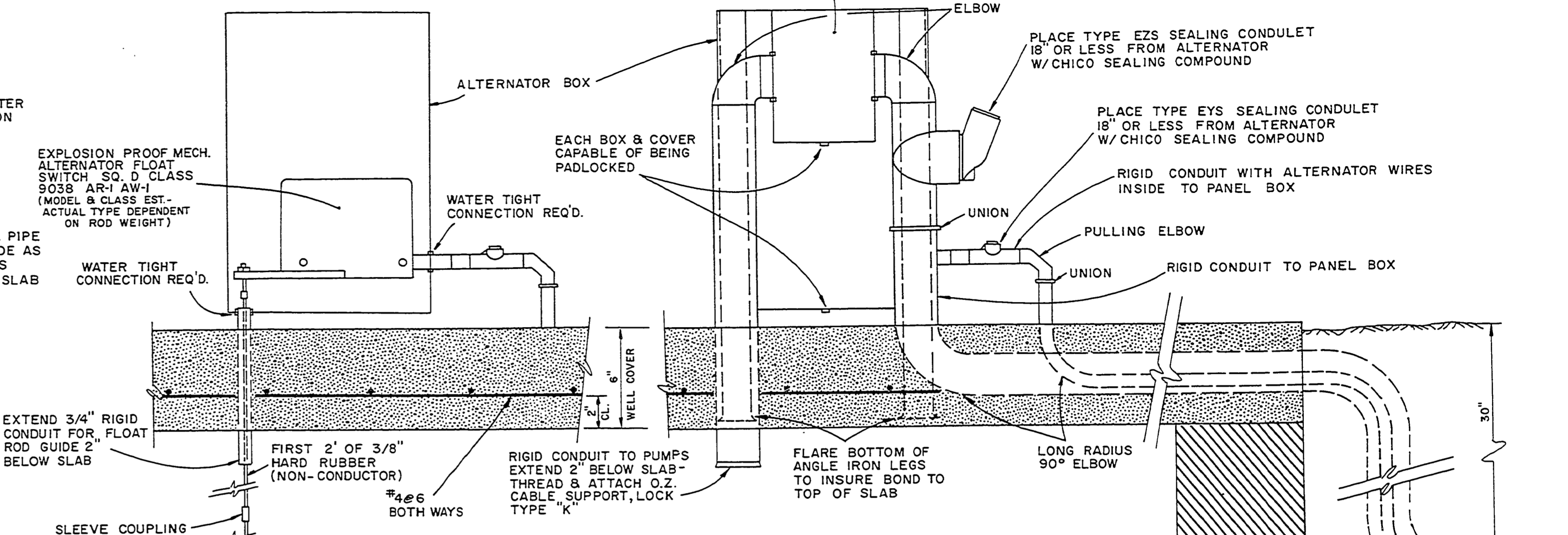


SECTION A-A

NOTE: IF SECTIONS OF 72" DIA. CONC. PIPE DO NOT BRING UP TO GRADE AS PER PLAN, BUILD UP WALLS AS SHOWN BEFORE POURING TOP SLAB

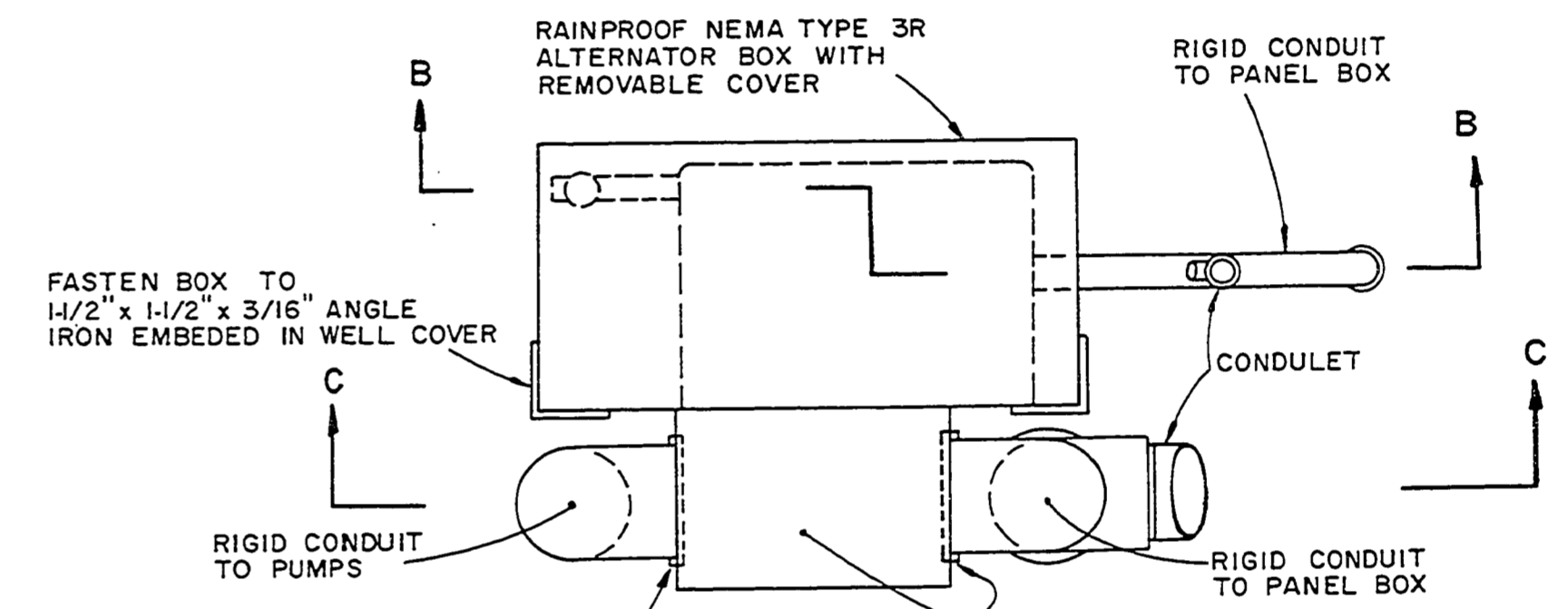


PLAN WITH TOP REMOVED

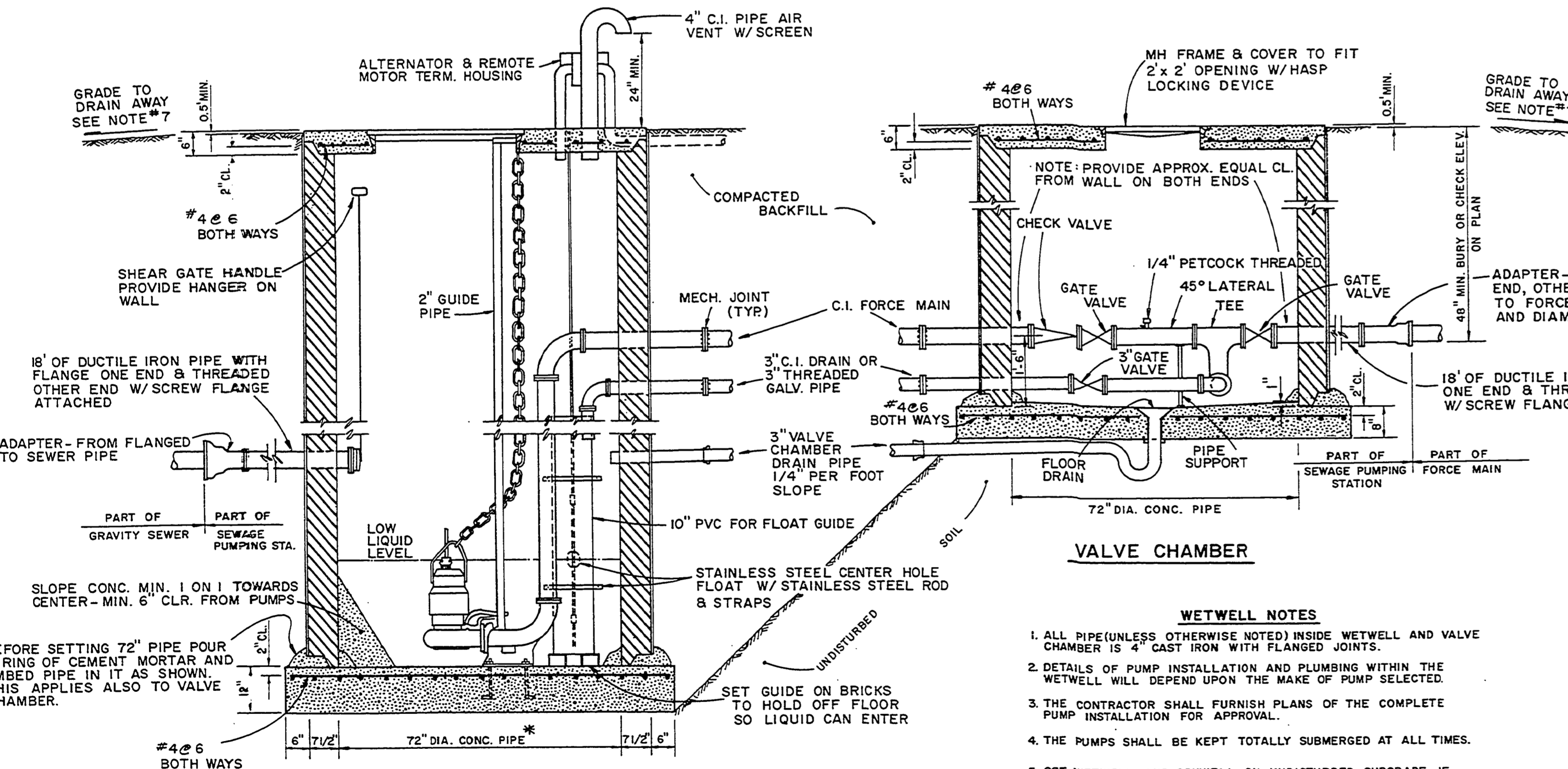


SECTION B-B

SECTION C-C



NOTE: CONTROL PEDESTAL SHOULD BE COMPLETELY ASSEMBLED AND SET IN FORM BEFORE TOP OF SLAB IS POURED BE SURE 3/4" CONDUIT FOR FLOAT ROD GUIDE IS PLUMB AND STRAIGHT AND EXACTLY CENTERED OVER 10" FLOAT GUIDE

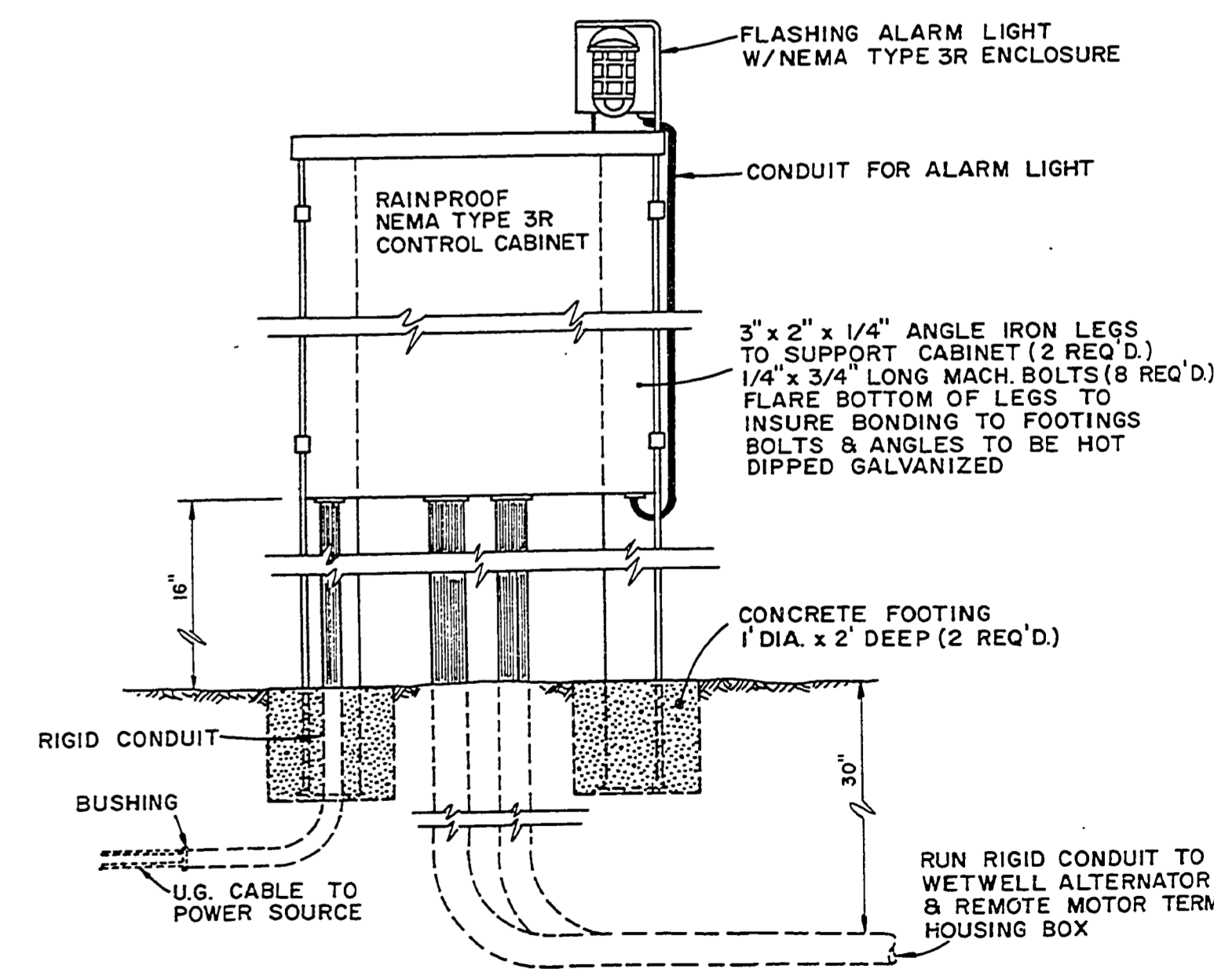


WETWELL

VALVE CHAMBER

ELECTRICAL NOTES

1. LOCATE PANEL BOX 15' FROM WETWELL.
2. ALL ELECTRICAL CONNECTIONS AND MATERIAL TO CONFORM TO THE NATIONAL ELECTRICAL CODE.
3. REMOTE MOTOR TERMINAL HOUSING SHOULD BE COMPLETELY ASSEMBLED AND SET IN FORM BEFORE TOP OF SLAB IS POURED.
4. ALL UNDERGROUND POWER CIRCUITS TO UTILIZE TYPE U.S.E. OR U.F. COPPER CONDUCTORS.
5. MULTI-CONDUCTOR CONTROL CABLE SUITABLE FOR DIRECT BURIAL PURPOSES MAY BE USED FOR THE CONTROL CIRCUIT WIRING FROM THE CONTROL CABINET TO THE WETWELL.
6. ALL WIRING AND CONDUITS TO BE SIZED IN ACCORDANCE WITH N.E.C. REQUIREMENTS FOR THE PUMPS AND CONTROLS SUPPLIED. VOLTAGE DROP SHALL BE LIMITED TO 5% AT THE MOTOR TERMINALS FOR MAXIMUM LOAD CONDITIONS (BOTH PUMPS RUNNING).
7. ALARM LIGHT POWER TO BE ON A SEPARATE CIRCUIT. ALARM SYSTEM LIGHT TO BE ON UNDER NORMAL CONDITIONS, TO BE FLASHING ON AND OFF WHEN ALTERNATING SWITCH PLACES BOTH PUMPS IN OPERATION.
8. NO JUNCTION BOXES ARE ALLOWED INSIDE EITHER WETWELL OR VALVE CHAMBER AREA.



CONTROL CABINET PEDESTAL INSTALLATION DETAILS

ALL BOXES & EQUIP GROUNDED TO MEET ELECTRICAL CODE

SURVEYED BY	DESIGNED BY	DRAWN BY	NO.	DATE	BY	REVISIONS	NO.	DATE	BY	REVISIONS	MICHIGAN DEPARTMENT OF NATURAL RESOURCES	SEWAGE PUMP STATION SHEET TITLE	SLEEPY HOLLOW S.P. AREA OR PARK	PROJECT NO. 2A-2587
	A. EGRES	SB	1.				3.						MODERN CAMPBOUND DEVELOPMENT	SHEET 18 OF 19
			2.				4.							PLAN NO. E-115