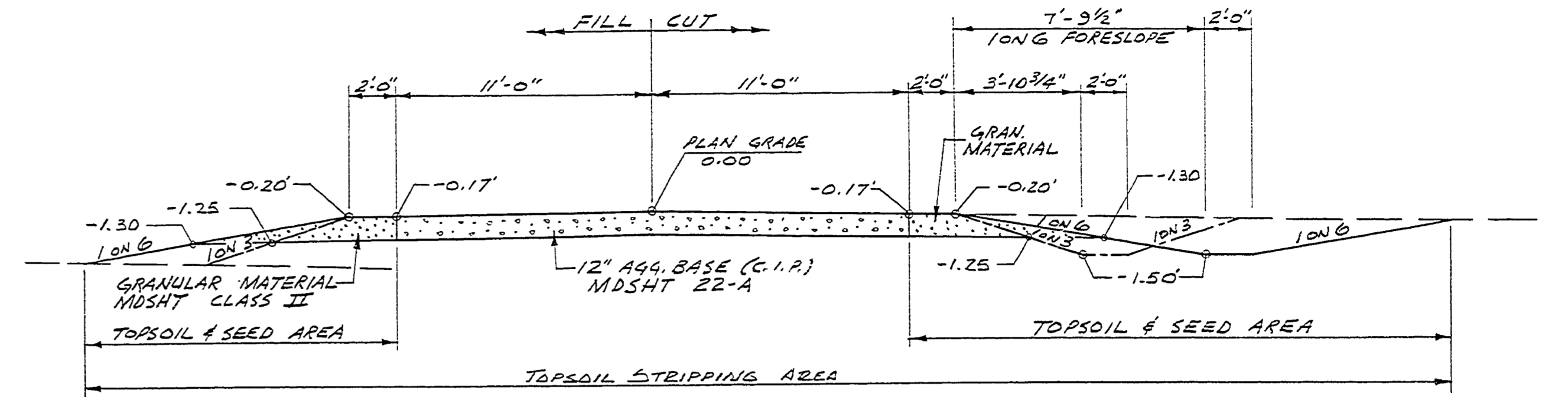
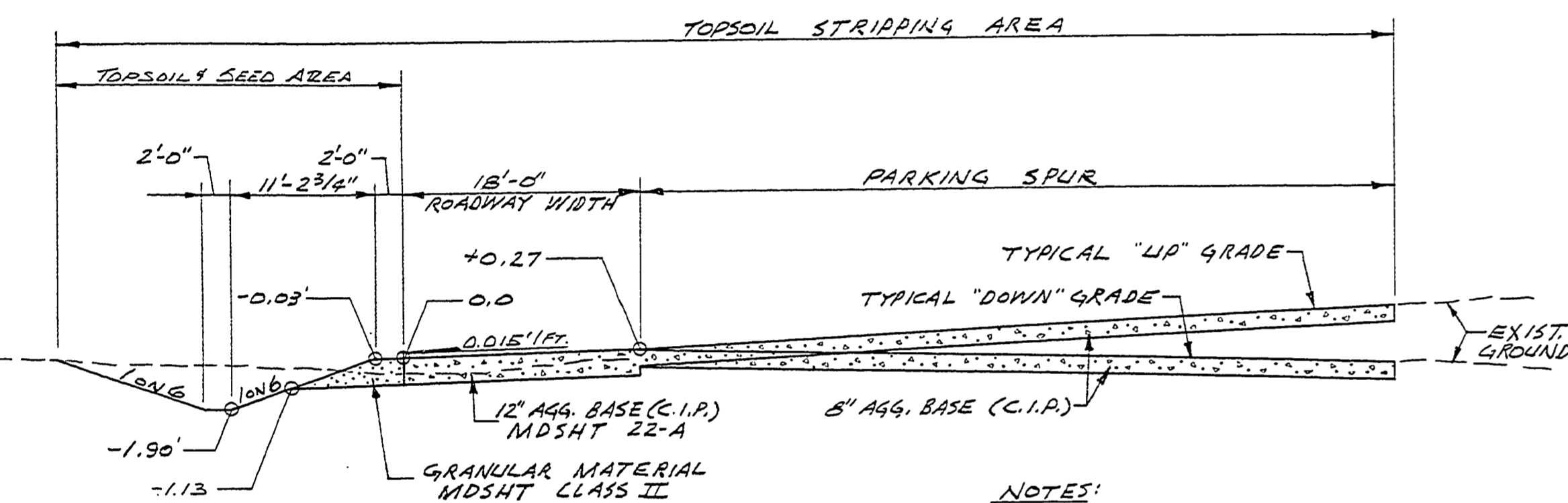


TYPICAL CAMPGROUND ROAD CROSS SECTION INDEPENDENT DITCH

NOTE: ROAD BACKSLOPES AND FORESLOPES TO BE 1 ON 6 SLOPE EXCEPT WHERE NOTED ON PROFILE TO BE 1 ON 3

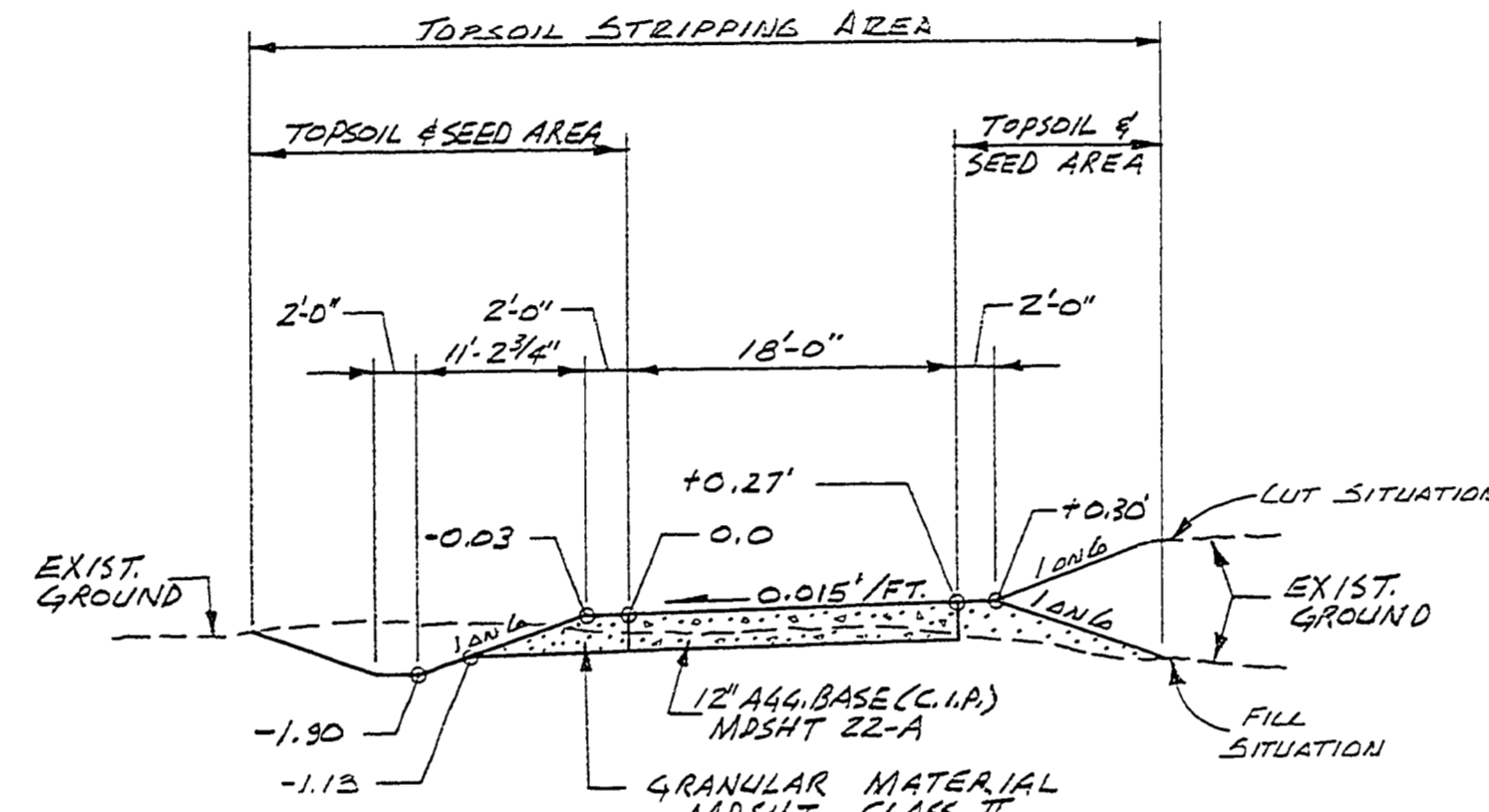


TYPICAL CAMPGROUND ROAD CROSS SECTION DEPENDENT DITCH

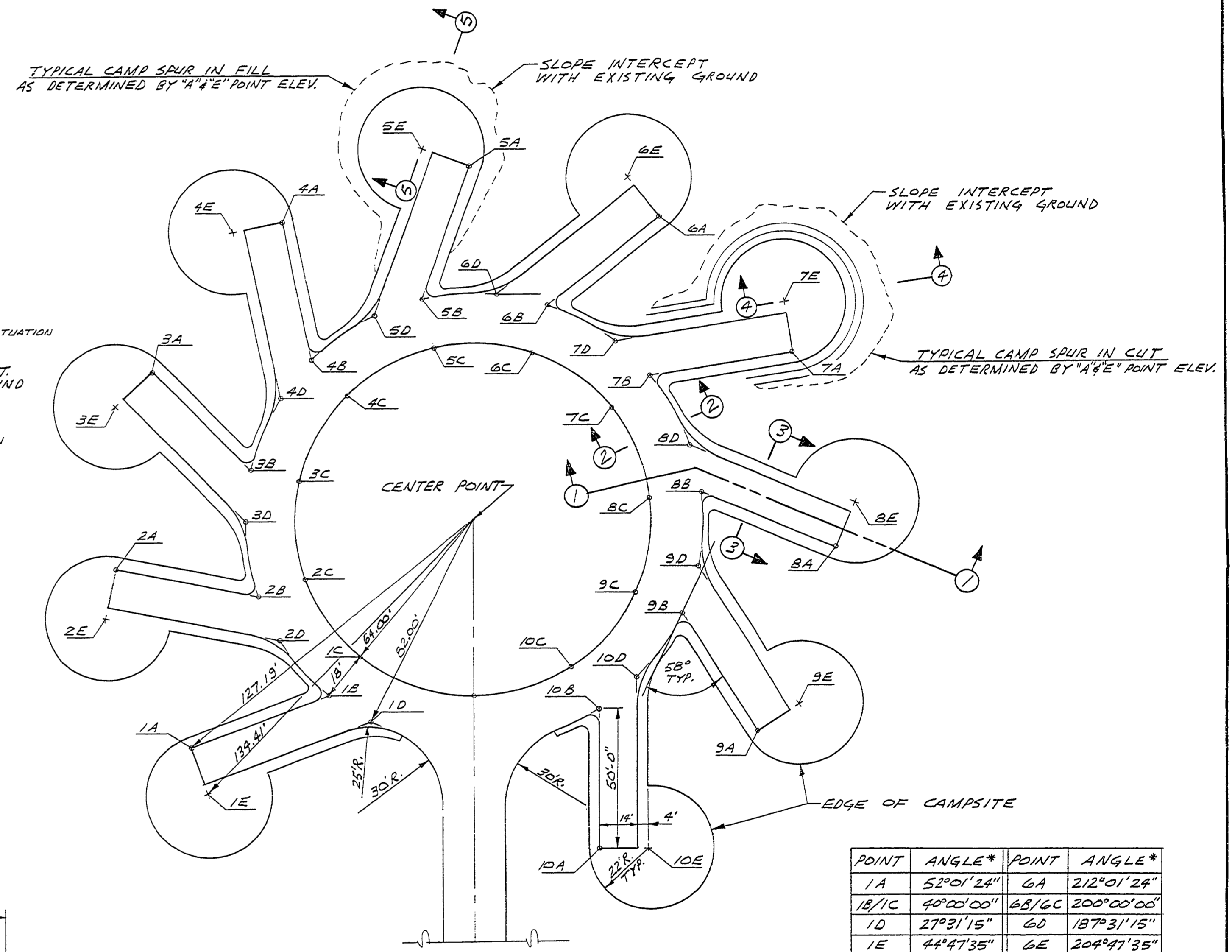


SECTION 1-1

- NOTES:
- EXCEPT WHERE "A" & "E" GRADES ARE GIVEN, SLOPE OF PARKING SPUR TO BE FIELD SET TO CLOSELY CONFORM TO EXISTING GROUND.
  - WHERE "A" & "E" GRADES ARE PROVIDED ON SCHEDULE (SHEET #12) GRADING SHALL BE AS FOLLOWS:
    - PARKING SPUR SHALL HAVE FLAT CROSS SLOPE WITH A UNIFORM LONGITUDINAL SLOPE FROM "B" AND "D" GRADE POINTS TO "A" AND "E" GRADE POINTS.
    - AREA WITHIN CAMP CIRCLE (22R) SHALL BE GRADED TO CONTINUE SLOPE OF PARKING SPUR TO EDGE OF CIRCLE. BEYOND CIRCLE EDGE EITHER FILL OR CUT/DITCH SECTION SHALL APPLY AS APPROPRIATE.



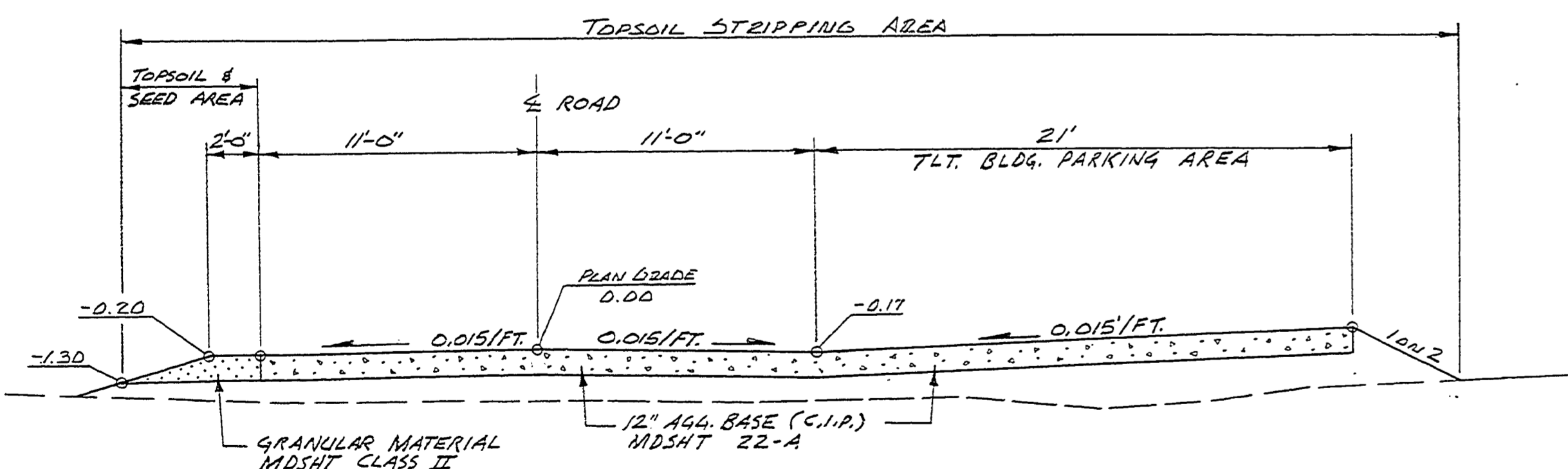
SECTION 2-2



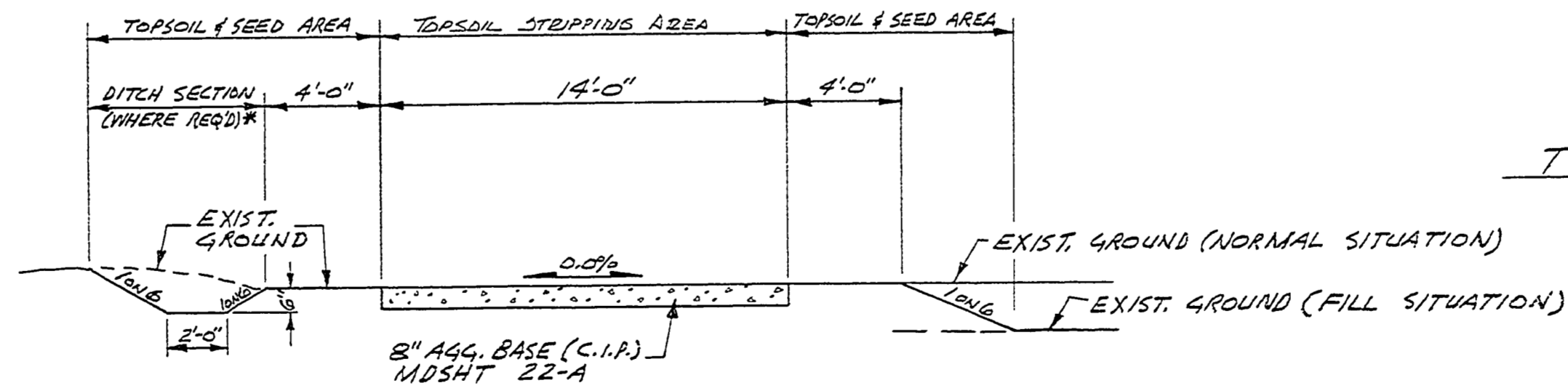
TYPICAL CAMPOD LAYOUT SCALE: 1" = 30'

POINT	ANGLE*	POINT	ANGLE*
1A	52°01'24"	6A	212°01'24"
1B/1C	40°00'00"	6B/6C	200°00'00"
1D	27°31'15"	6D	187°31'15"
1E	44°47'35"	6E	204°47'35"
2A	84°01'24"	7A	244°01'24"
2B/2C	72°00'00"	7B/7C	232°00'00"
2D	53°31'15"	7D	213°31'15"
2E	76°47'35"	7E	236°47'35"
3A	116°01'24"	8A	276°01'24"
3B/3C	104°00'00"	8B/8C	264°00'00"
3D	91°31'15"	8D	251°31'15"
3E	108°47'35"	8E	268°47'35"
4A	148°01'24"	9A	308°01'24"
4B/4C	136°00'00"	9B/9C	296°00'00"
4D	123°31'15"	9D	283°31'15"
4E	140°47'35"	9E	300°47'35"
5A	180°01'24"	10A	340°01'24"
5B/5C	168°00'00"	10B/10C	328°00'00"
5D	155°31'15"	10D	315°31'15"
5E	172°47'35"	10E	332°47'35"

\* NOTE: ALL ANGLES MEASURED CLOCKWISE FROM E OF ACCESS ROAD.



TYPICAL ROAD CROSS SECTION AT TLT. BLDG. PARKING AREA (3 REQ'D)



SECTION 3-3

\* DITCH SECTION IS NOT REQ'D. ALONGSIDE PARKING SPUR UNLESS CAMP CIRCLE IS INDICATED TO BE IN CUT BY 4/4'S GRADES.

SEE SHEETS #8 & #9 FOR ADDITIONAL SECTIONS

SURVEYED BY R. ROON	3-75	DRAWN BY B. BOYCE	7-75	NO.	DATE	BY	REVISIONS	NO.	DATE	BY	REVISIONS	MICHIGAN DEPARTMENT OF NATURAL RESOURCES	TYPICAL CAMPOD LAYOUT AND SECTIONS SHEET TITLE	SLEEPY HOLLOW STATE PARK AREA OR PARK	PROJECT	PROJECT NO. 24-1344
DESIGNED BY R. HAEUSLER	6-75	CHECKED BY	DATE	1.				2.						CAMPGROUND DEVELOPMENT	SHEET 7 OF	PLAN NO. E-103