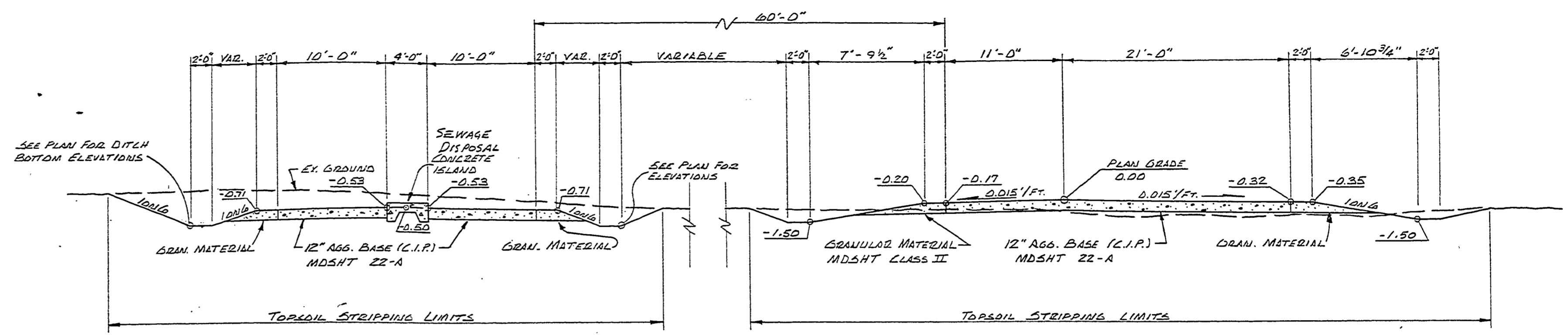
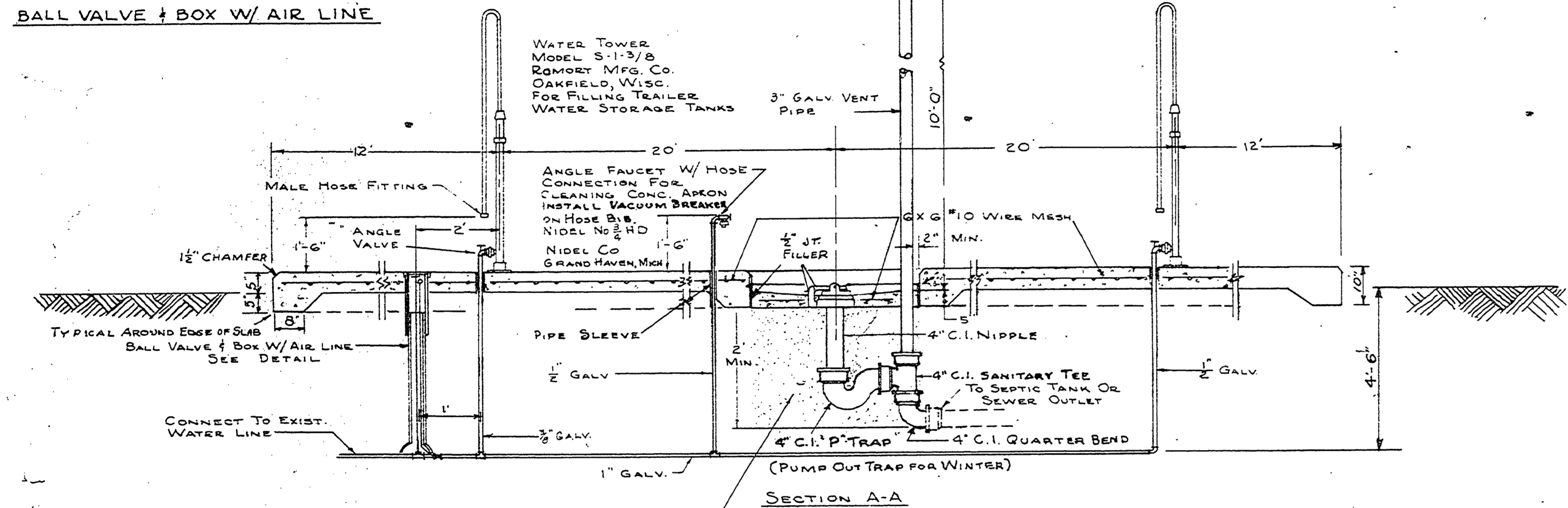


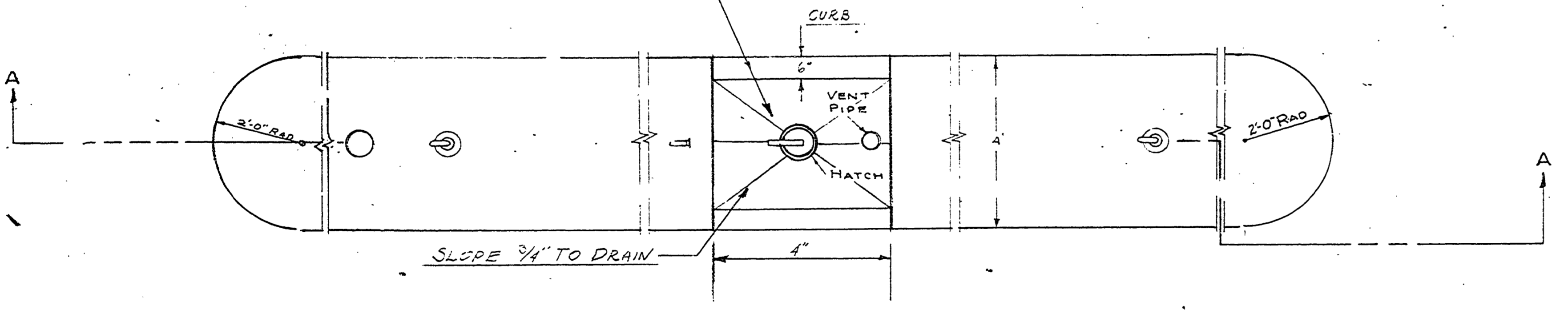
HATCH & COVER SECTION DETAIL
VAREC FIG 46
VAPOR RECOVERY SYSTEMS CO.
2820 N. ALAMEDA
COMPTON, CALIF.



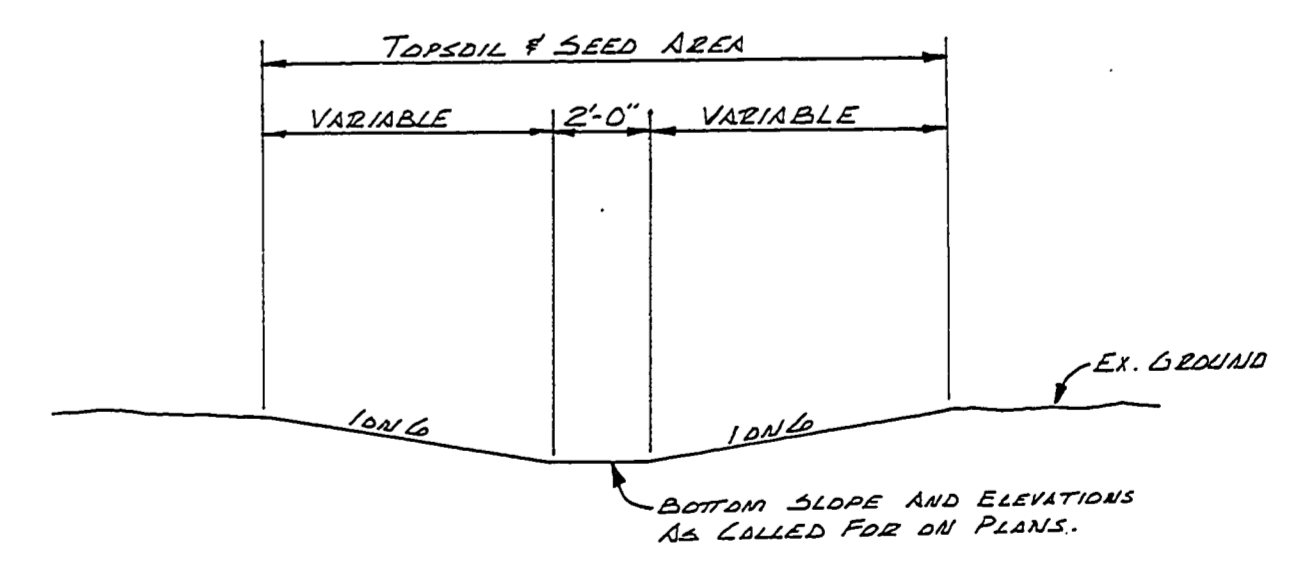
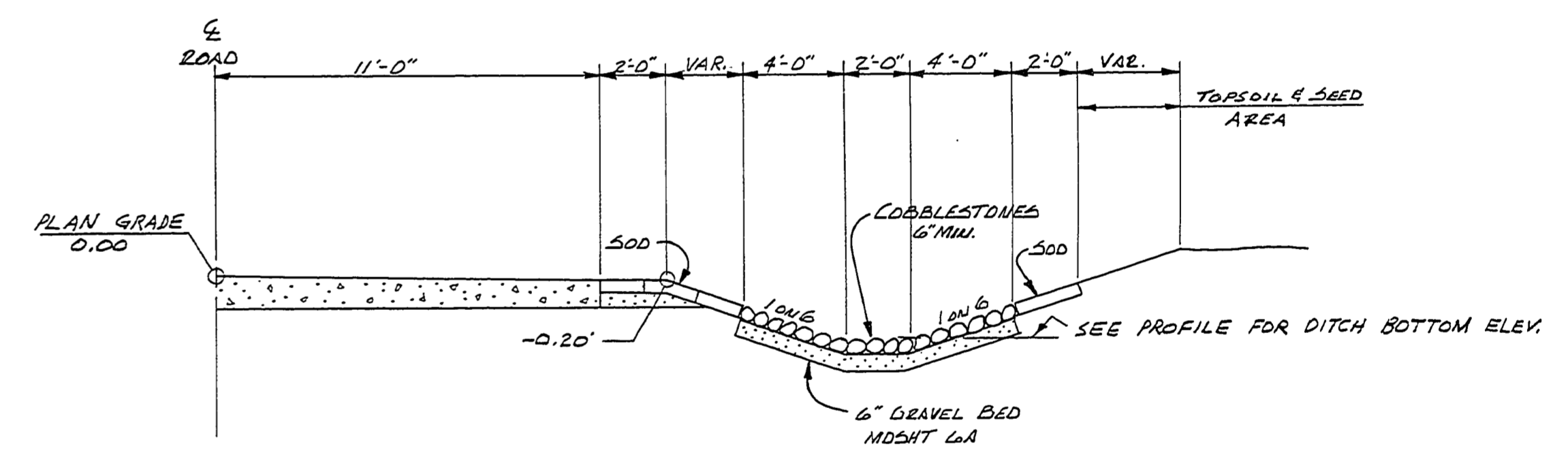
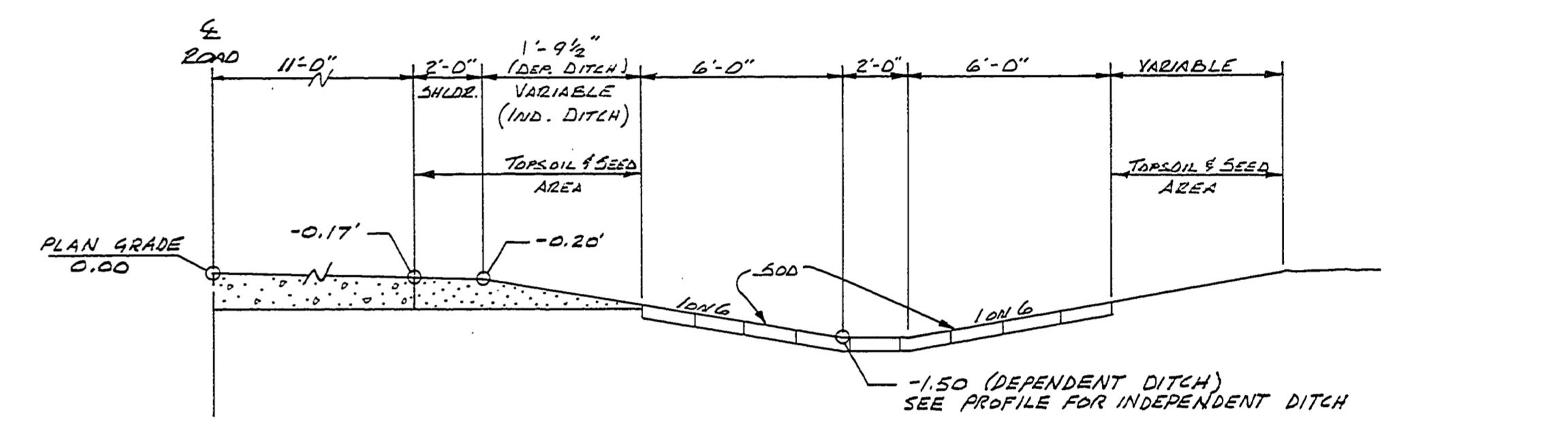
SECTION THRU SANITATION STATION



NOTE - CENTER 4' SQ AREA TO BE SAND FILL TO BOTTOM OF SEWER PIPE 12" MIN. OF SAND UNDER REMAINING AREA OF SLAB.



WATER SUPPLY AND SEWAGE DISPOSAL ISLAND
SCALE 1" = 2'



DESIGNED BY E. HAEUSLER	DRAWN BY D. PADGETT	8-75	NO. 1	DATE	BY	REVISIONS	MICHIGAN DEPARTMENT OF NATURAL RESOURCES	SANITATION STATION AND MISC. DETAILS SHEET TITLE	SLEEPY HOLLOW STATE PARK AREA OR PARK	PROJECT NO. 24-1344
CHECKED BY	DATE	NO. 2	DATE	BY	REVISIONS				CAMPGROUND DEVELOPMENT	SHEET 9 OF 16
		NO. 3	DATE	BY	REVISIONS					PLAN NO. E-103