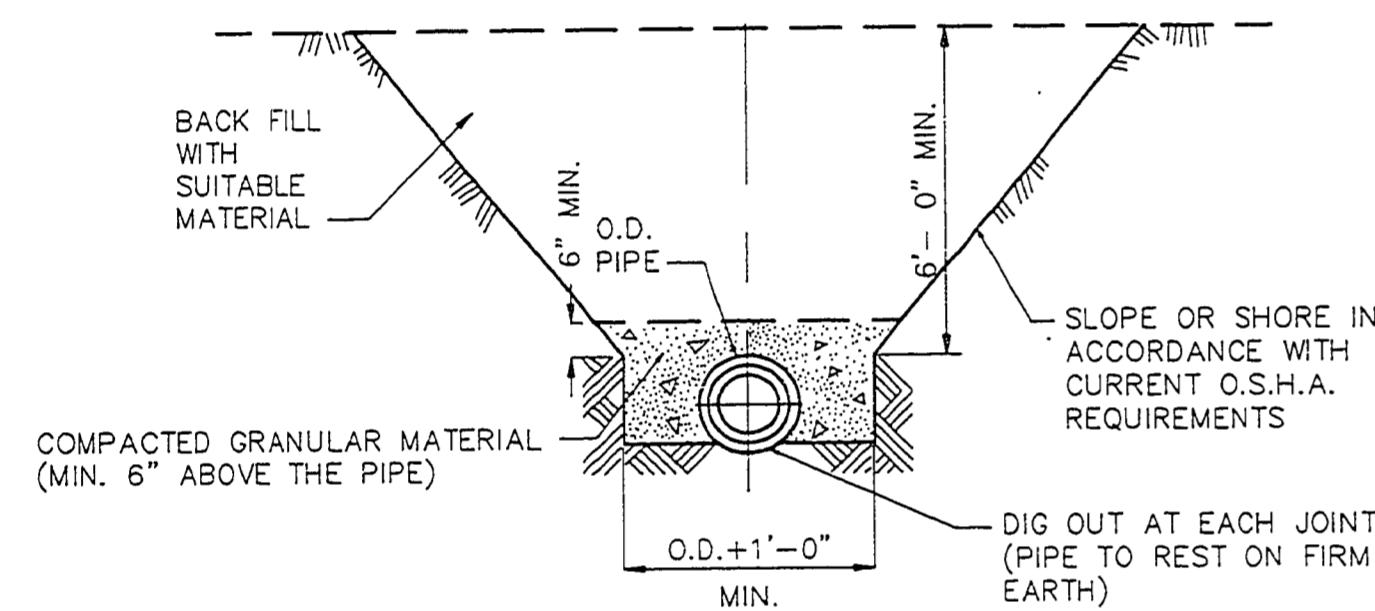
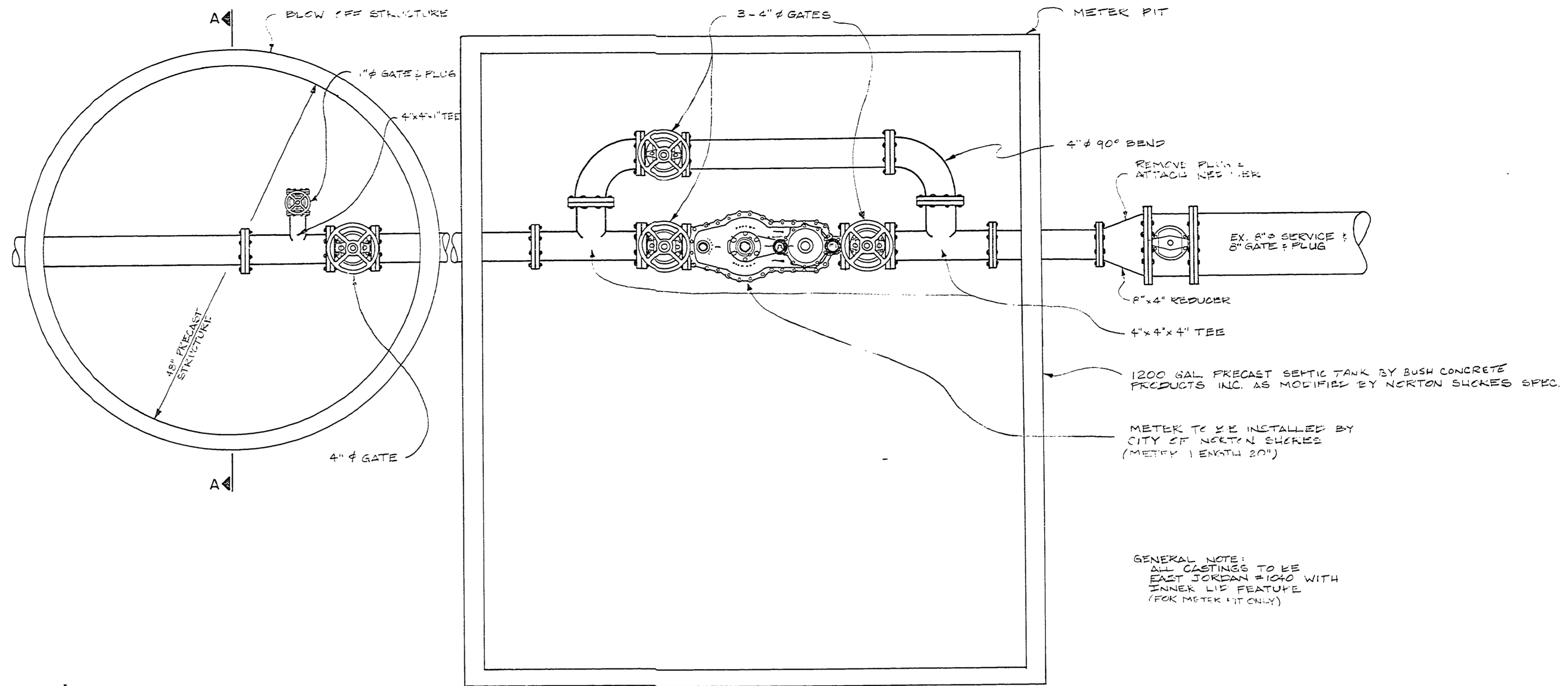


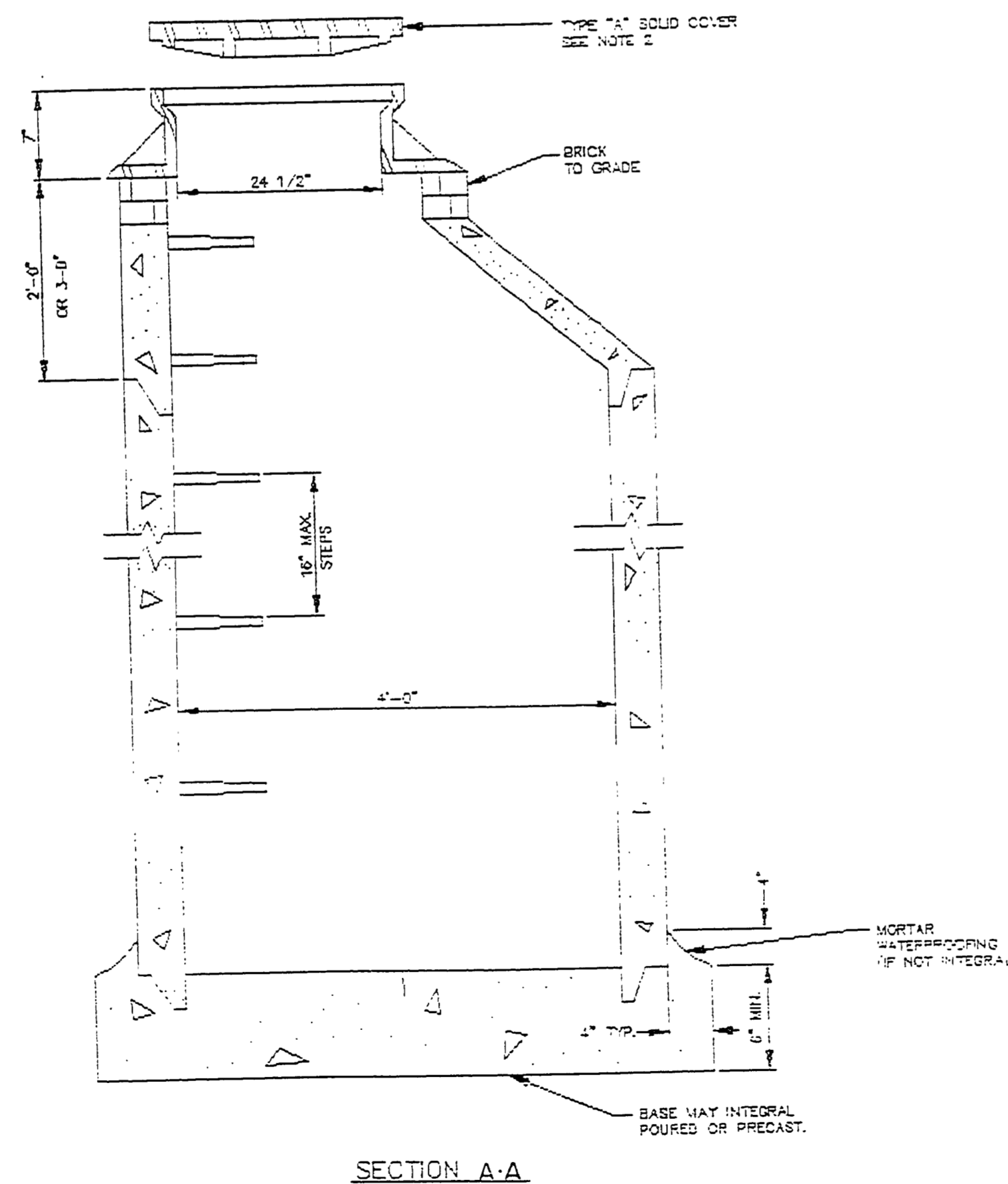
**DETAIL
TYPICAL PIPE ON
UNDISTURBED SOIL**
NOT TO SCALE



**DETAIL
TYPICAL PIPE BEDDING**
NOT TO SCALE



METER PIT & BLOW OFF STRUCTURE



SECTION A-A

GENERAL NOTES

- ALL BACKFILL UNDER PIPE TO BE DEPOSITED BY HAND IN 6" LAYERS AND EACH LAYER MECHANICALLY TAMPED.
- STANDARD SIZE MANHOLE COVERS: EAST JORDAN IRON WORKS, EAST JORDAN, MICHIGAN, 24" I.D., 1120, TYPE "1" I.D., WT. 380 LBS. OR EQUAL.

CHRISTMAN
CONSTRUCTION SERVICES
CONSTRUCTION MANAGERS • GENERAL CONTRACTORS • CONSTRUCTION ENGINEERS • CONSTRUCTORS
Main Office: 488 Acornwood Plaza Lansing Michigan 48923 P.O. Box 14120 48901 Phone: 517/482-1488
Firm Office: 3512 W. Briar Road Farmington Michigan 48907 P.O. Box 248 48501 Phone: 313/234-6622

STATE OF MICHIGAN
DEPARTMENT OF MANAGEMENT AND BUDGET
Office of Facilities

L-118

SHEET	IDENTIFICATION NO.	ISSUED FOR	DATE	DESIGNED
	PROJECT	PRELIMINARY <input type="checkbox"/>		DRAWN
	STATE ACCOUNT	CONSTRUCTION <input type="checkbox"/>		CHECKED
		FINAL RECORD <input type="checkbox"/>		APPROVED

ISSUE & REVISION BLOCK	DATE	BY	REVISION

ARCHITECTS	ENGINEERS	PLANNERS	SURVEYORS

GOVE ASSOCIATES, INC.
1601 Portage Street
Kalamazoo, Michigan
(616) 385-0011

SCALE:	AS SHOWN	DATE
DRAWN BY:	JM,FR	7-1-90
CHECKED BY:	JW	8-24-90
APPROVED BY:	NES	8-24-90

DETAILS FOR:
WATERMAIN
PJ HOFFMASTER STATE PARK, DNR
MUSKEGON COUNTY, MICHIGAN

SHEET	OF
8	9

PROJECT NUMBER
C13717-3

BRUNING 24128

