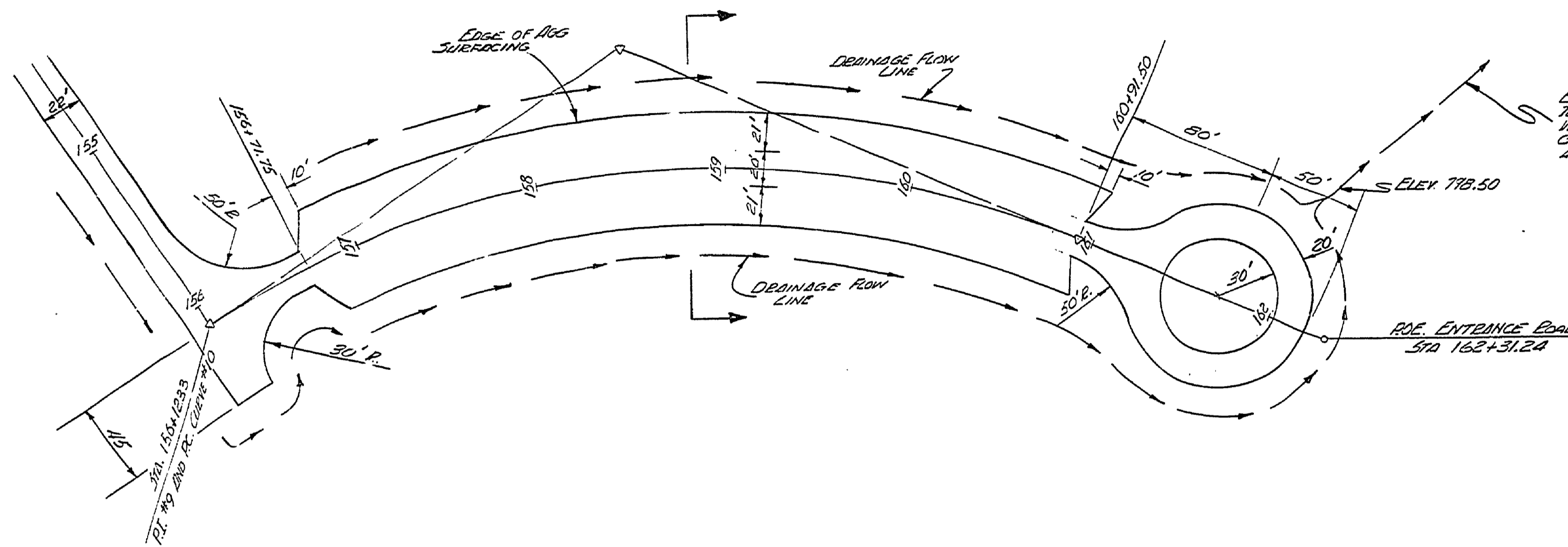
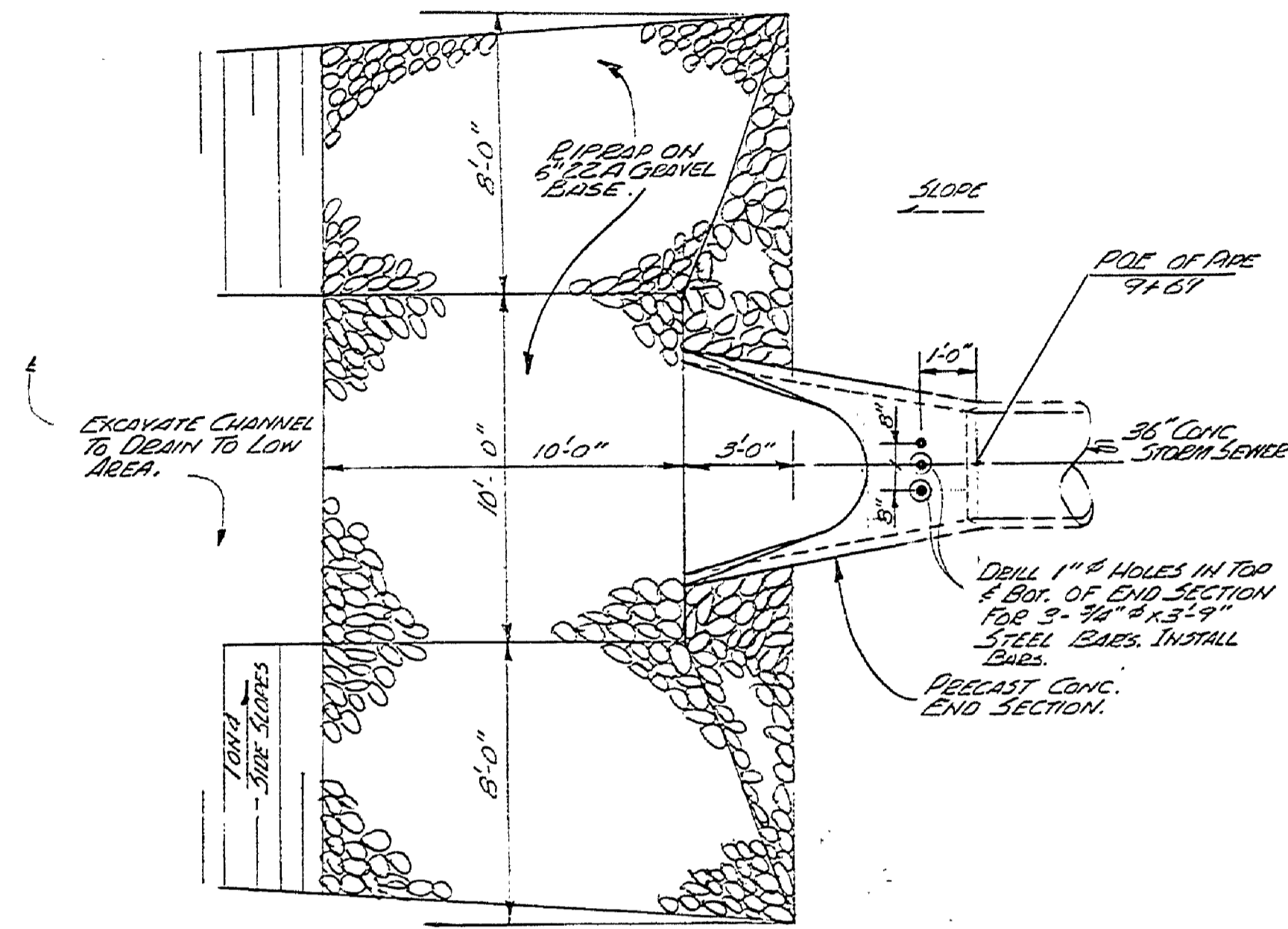


CURVE # 10
 $\Delta = 57^{\circ}50'$
 $D = 12^{\circ}$
 $R = 477.47'$
 $T = 261.95'$
 $L = 479.17'$
 $E = 67.14'$
 $PC = 158+12.33$
 $PI = 158+74.28$
 $PT = 160+71.50$

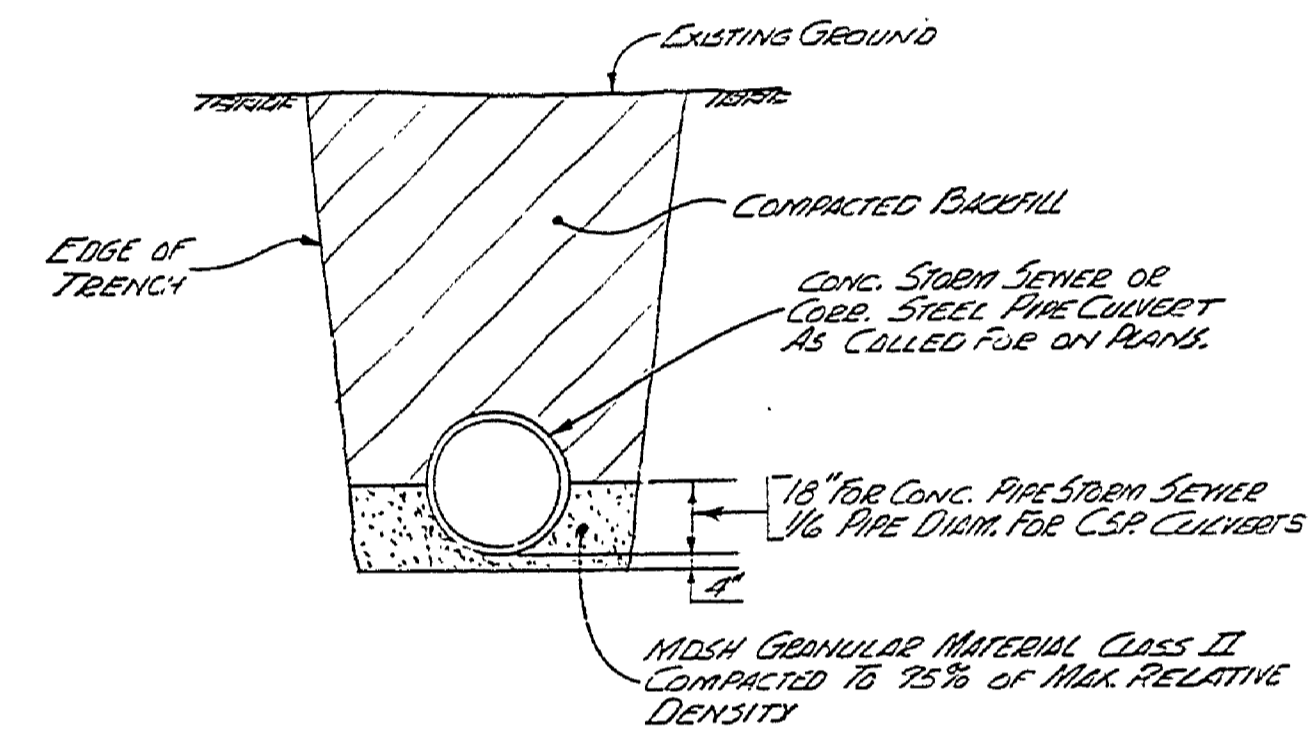


PLAN OF PICNIC PARKING LOT & TURN AROUND
 1"=50'

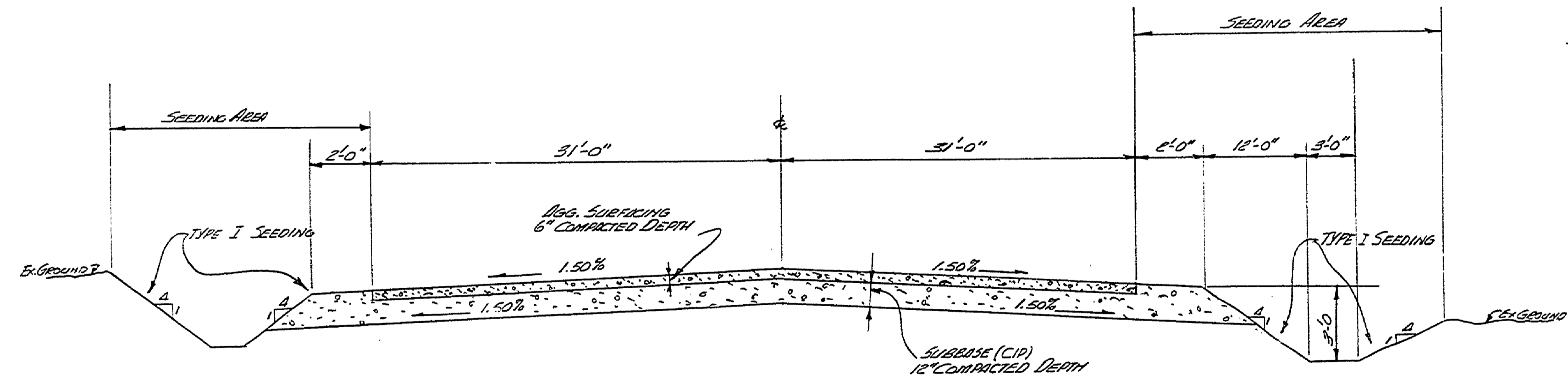
EXCAVATE DRAINAGE DITCH TO LOW AREA 3' BOTTOM WIDTH, LONG SIDE SLOPES, GRADE 1.0% TO 2.5%, APPROX. LENGTH = 150'



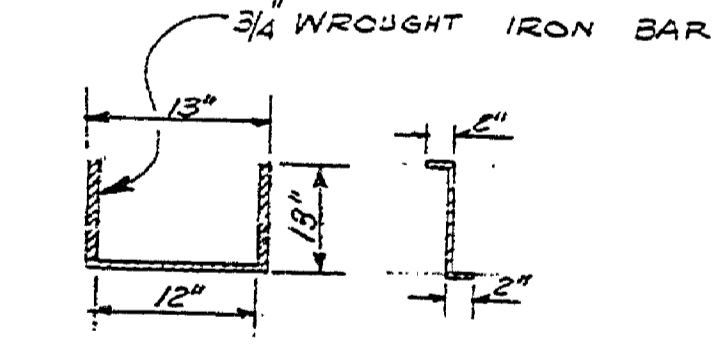
STORM SEWER OUTLET DETAIL



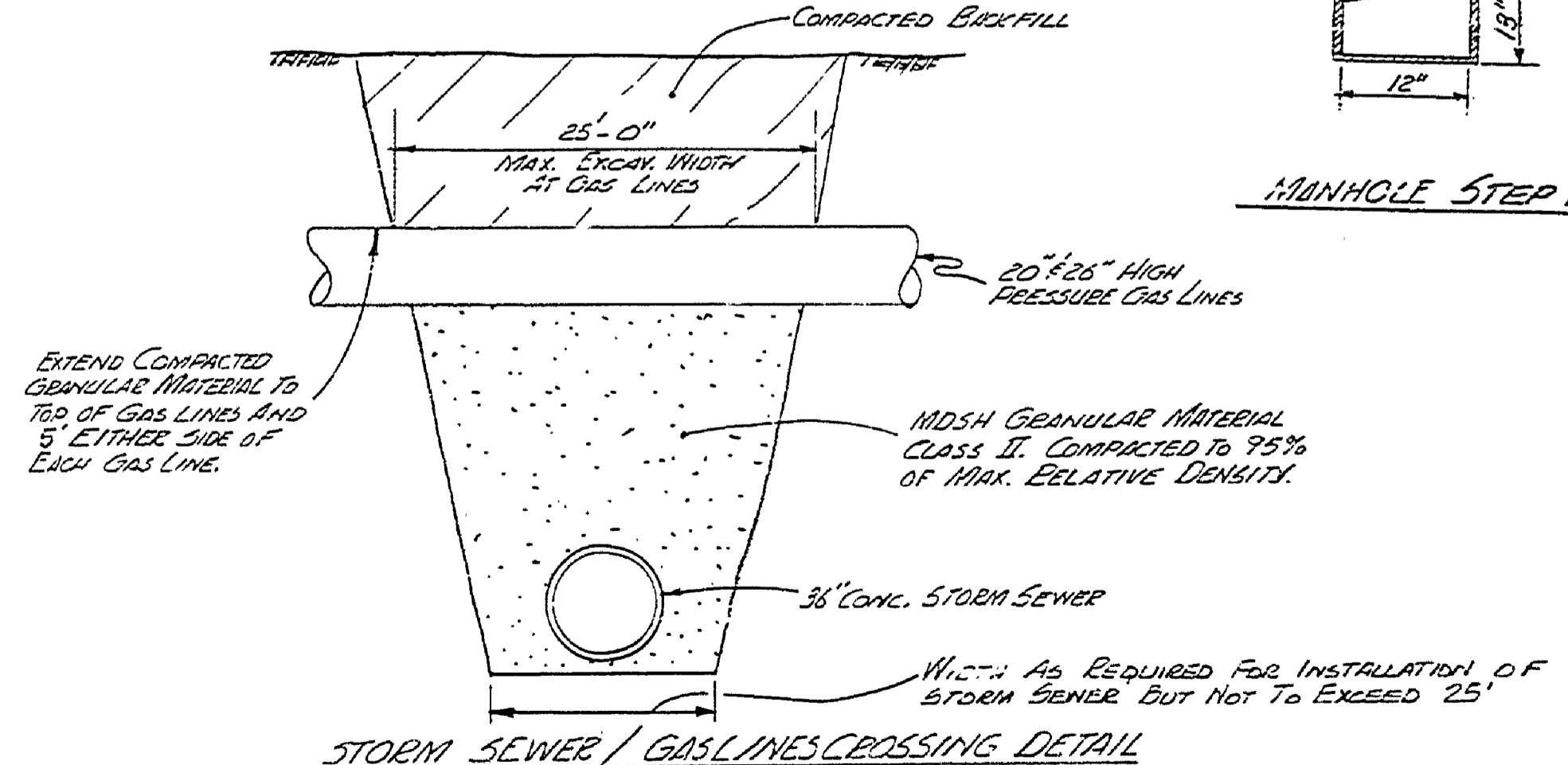
STORM SEWER / CULVERT PIPE BEDDING DETAIL



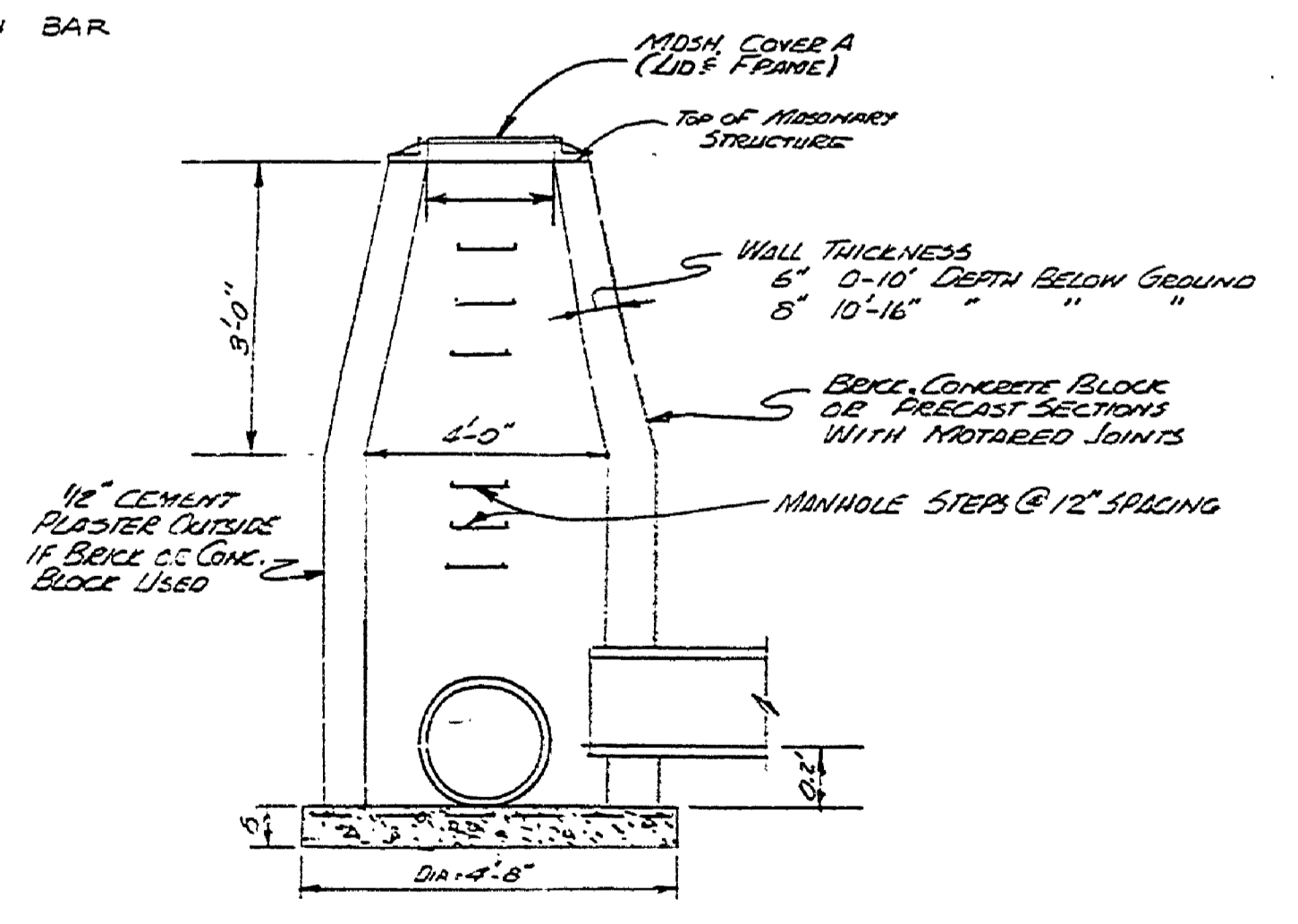
PICNIC PARKING LOT TYPICAL CROSS-SECTION



MANHOLE STEP DETAIL



STORM SEWER / GAS LINES CROSSING DETAIL



STORM SEWER MANHOLE DETAIL

SURVEYED BY	BISSELL	DRAWN BY	LEARMON	12-73	NO.	DATE	BY	REVISIONS	NO.	DATE	BY	REVISIONS	MICHIGAN DEPARTMENT OF NATURAL RESOURCES	MISC. DETAILS	SLEEPY HOLLOW STATE PARK AREA OR PARK	PROJECT NO.	21-9554
DESIGNED BY	P. HAEUSLER	CHECKED BY		12-73	1.	7/30/74	R.H.	DITCH ELEV. - PLAN OF PICNIC PARKING LOT	3.				DEPARTMENT OF NATURAL RESOURCES	MISC. DETAILS	BEECH AREA	SHEET 16 OF 25	PLAN NO. E-101
					2.	7/14	R.H.	ROADED SEEDING	4.								