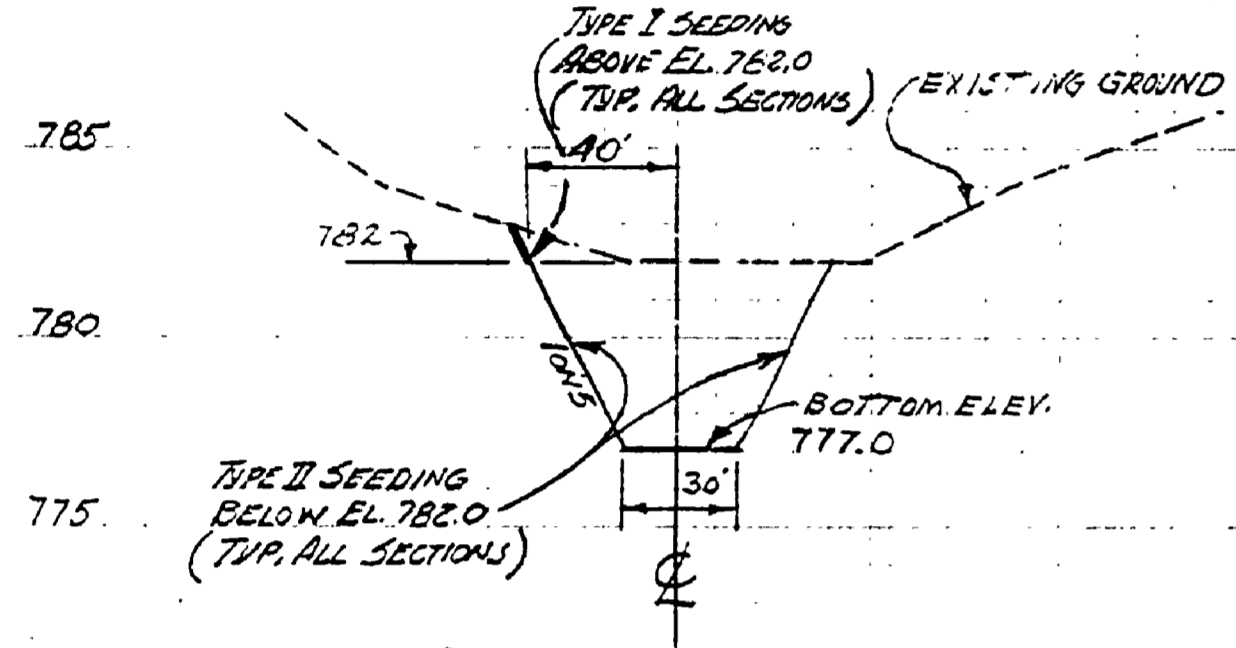
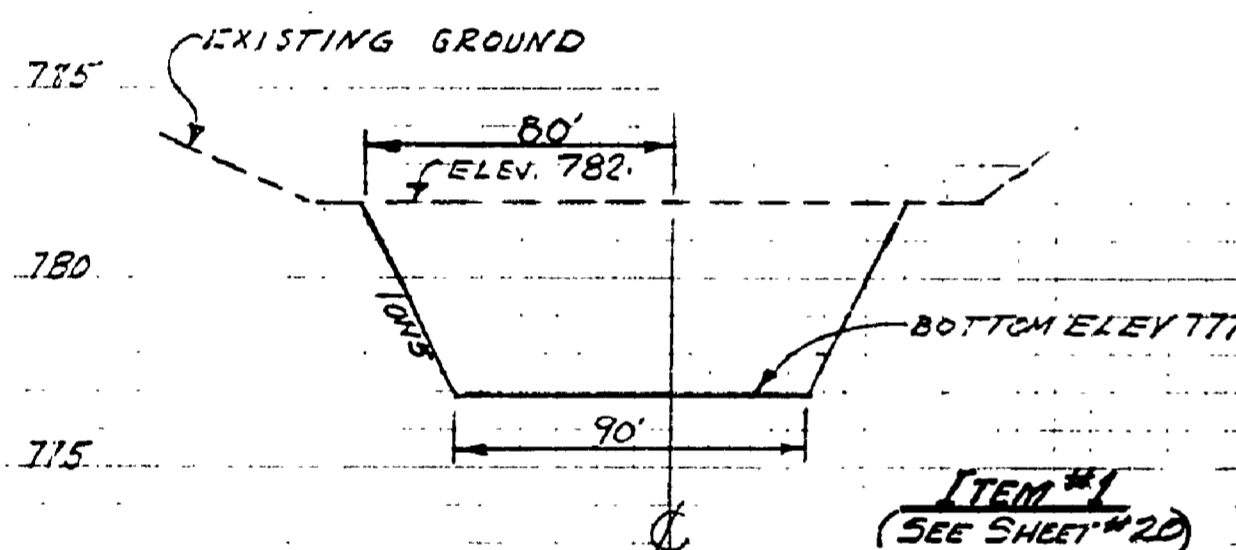


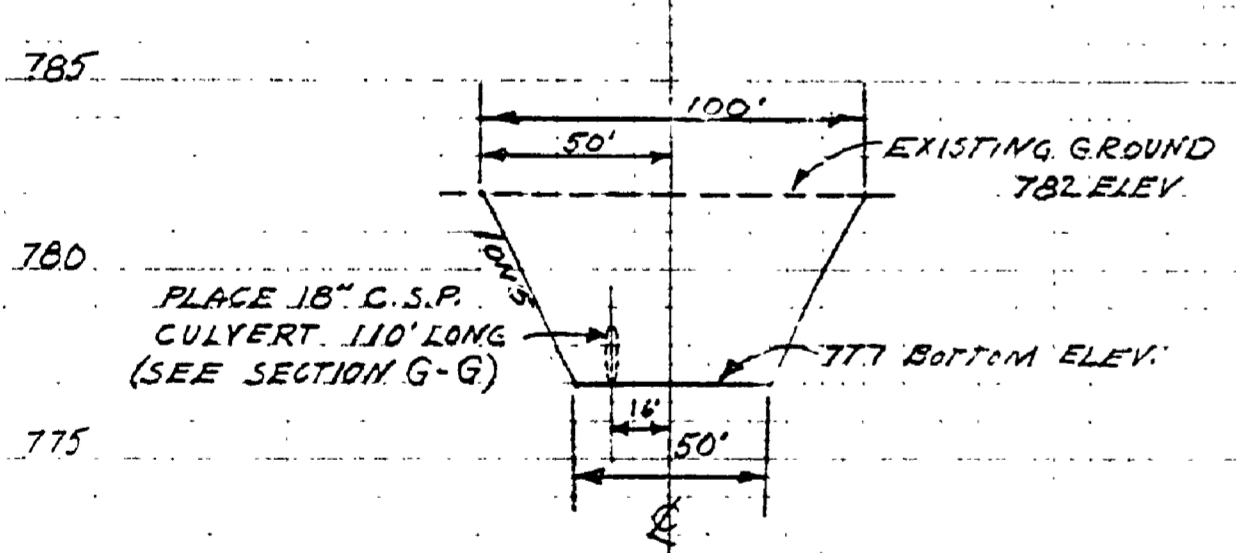
SECTION A-A



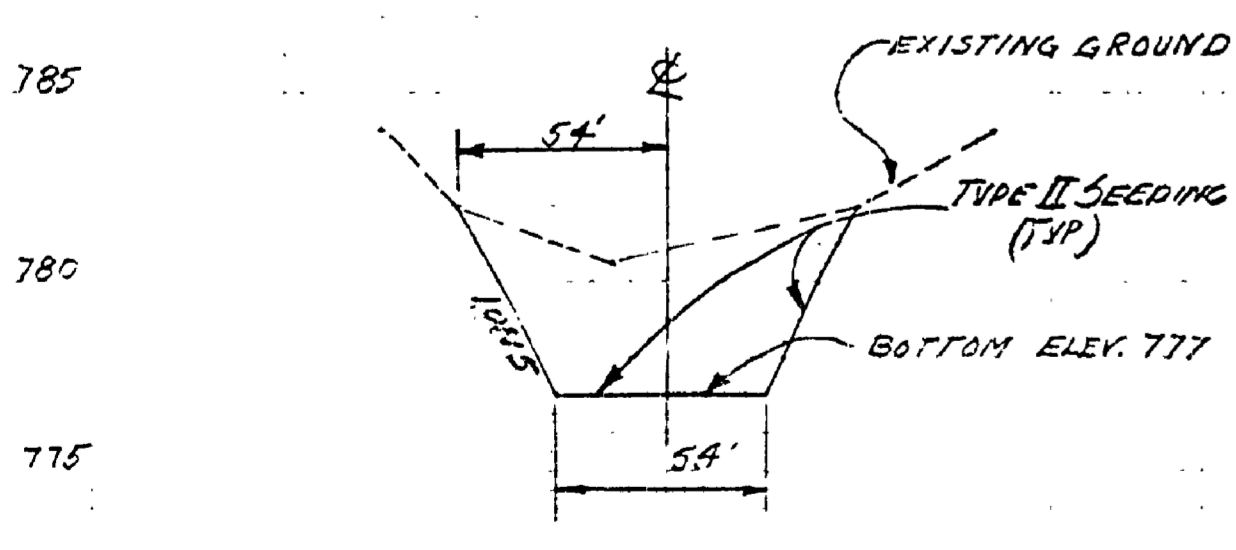
SECTION B-B



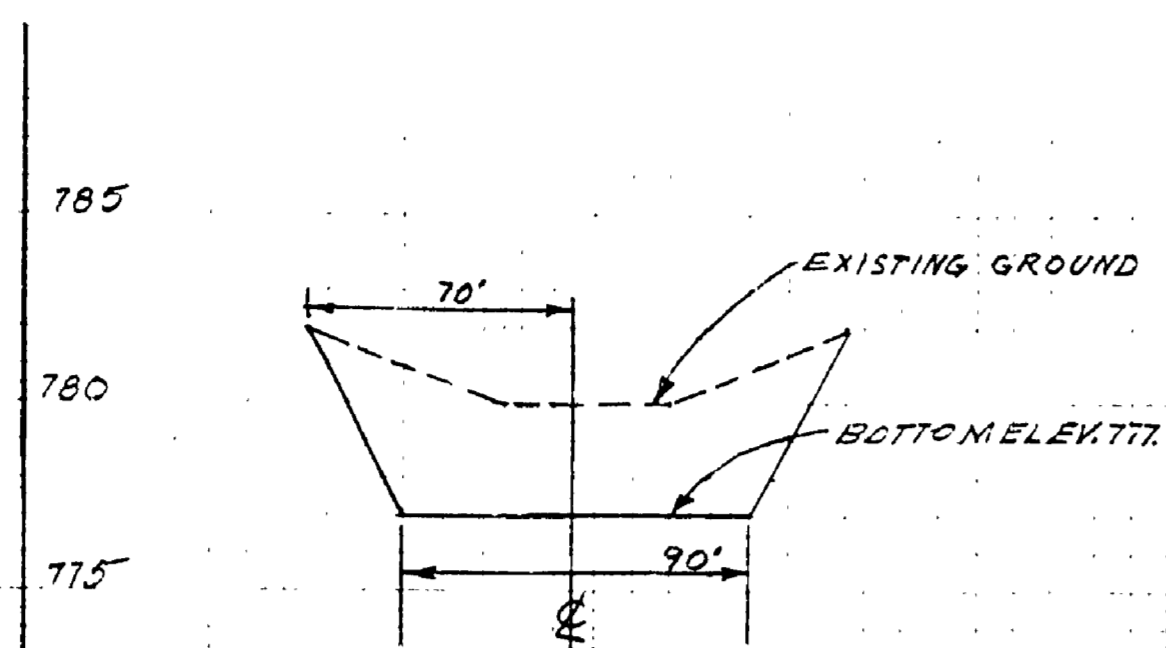
SECTION C-C



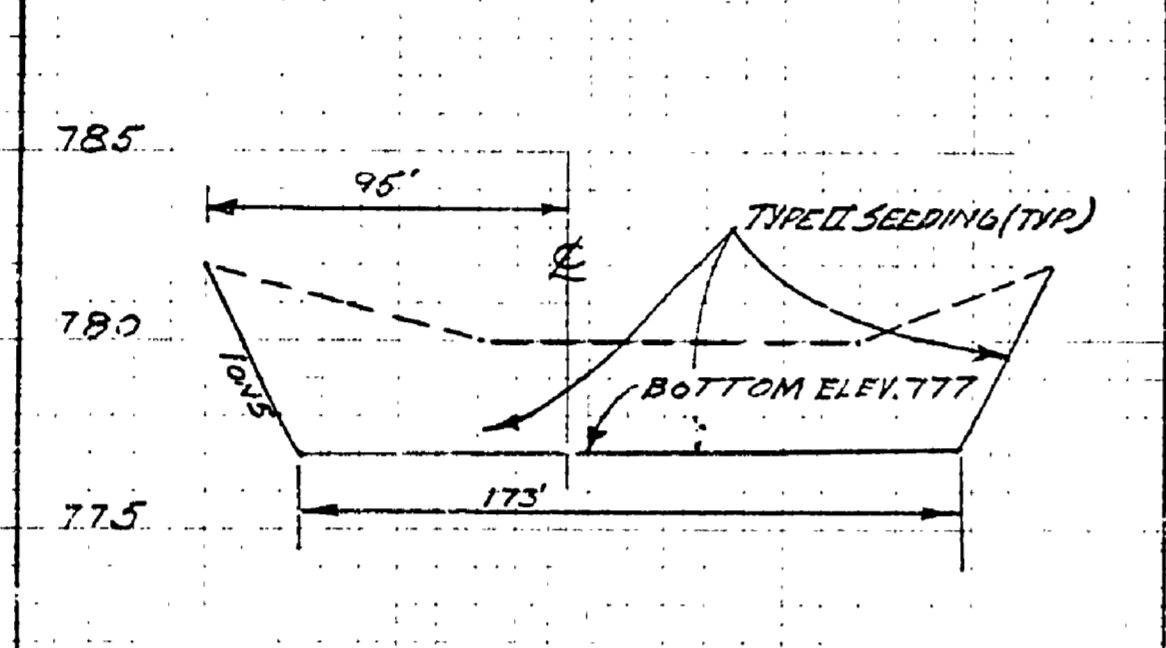
SECTION A-A



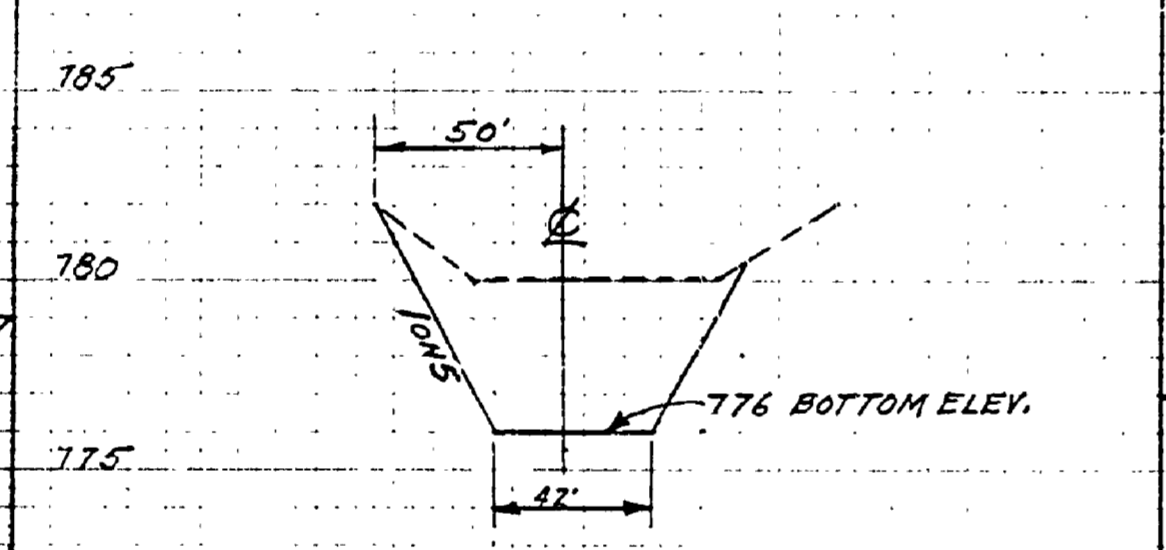
SECTION B-B



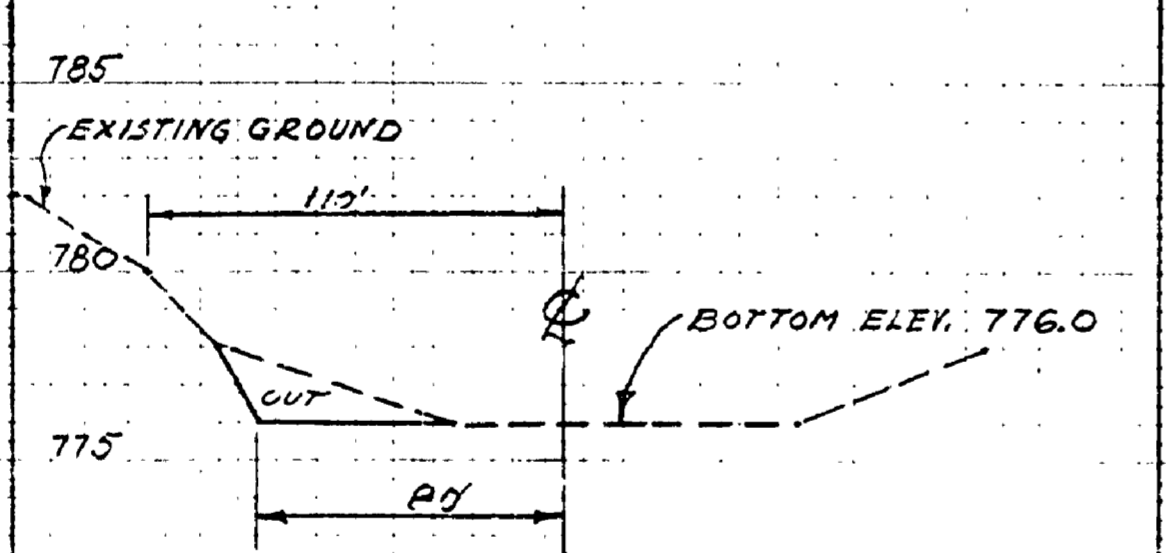
SECTION C-C



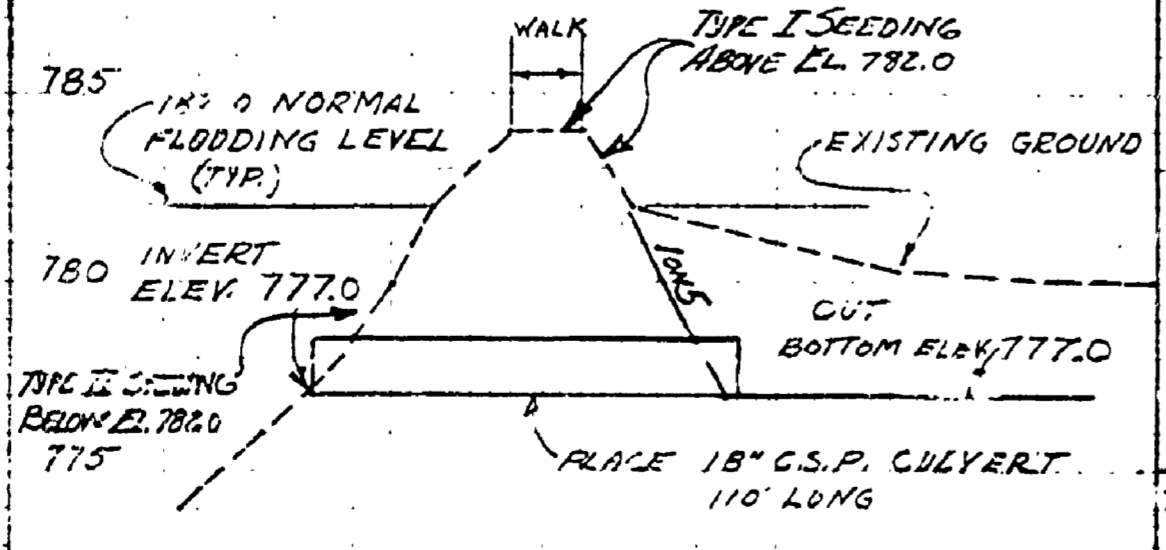
SECTION D-D



SECTION E-E

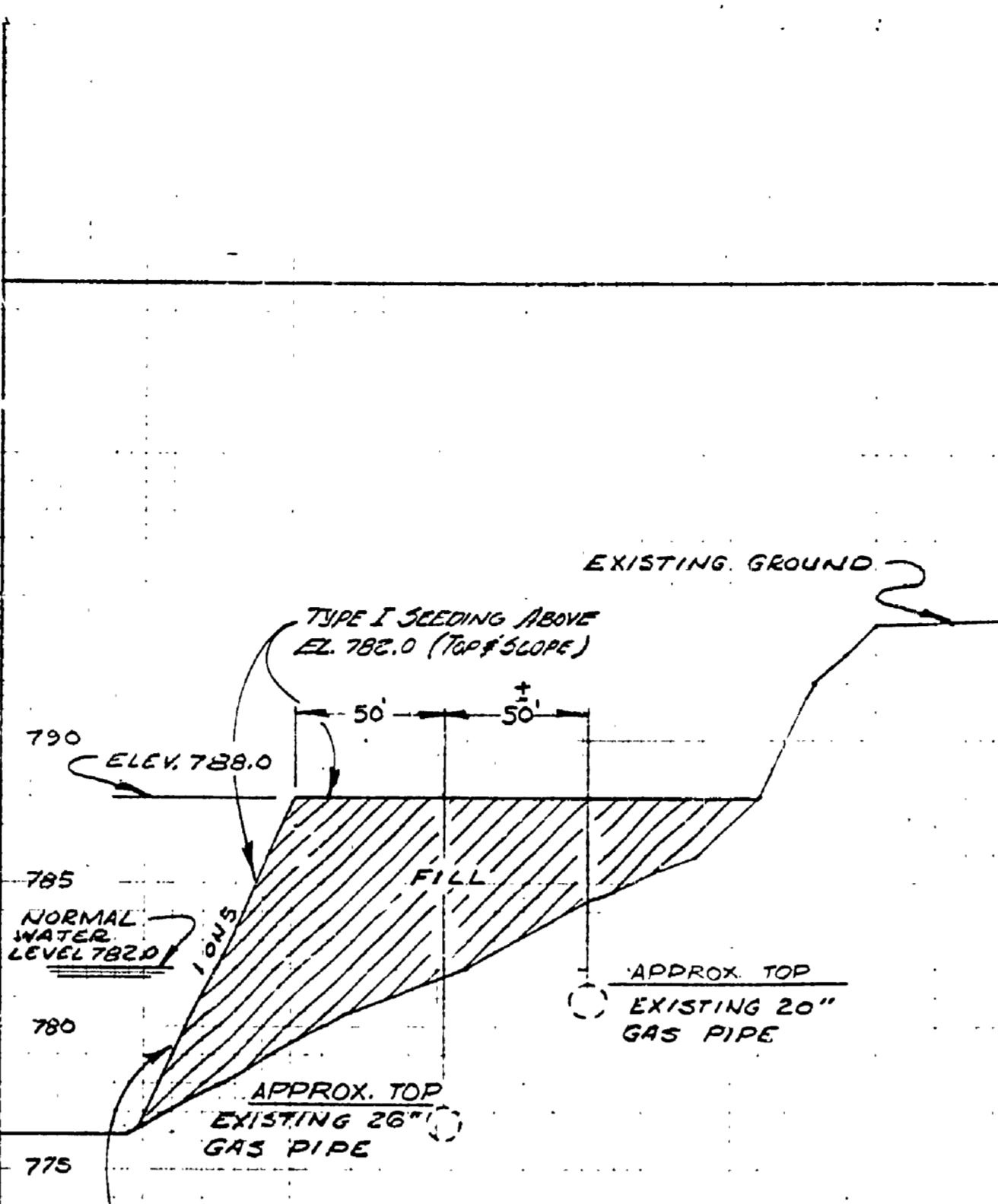


SECTION F-F

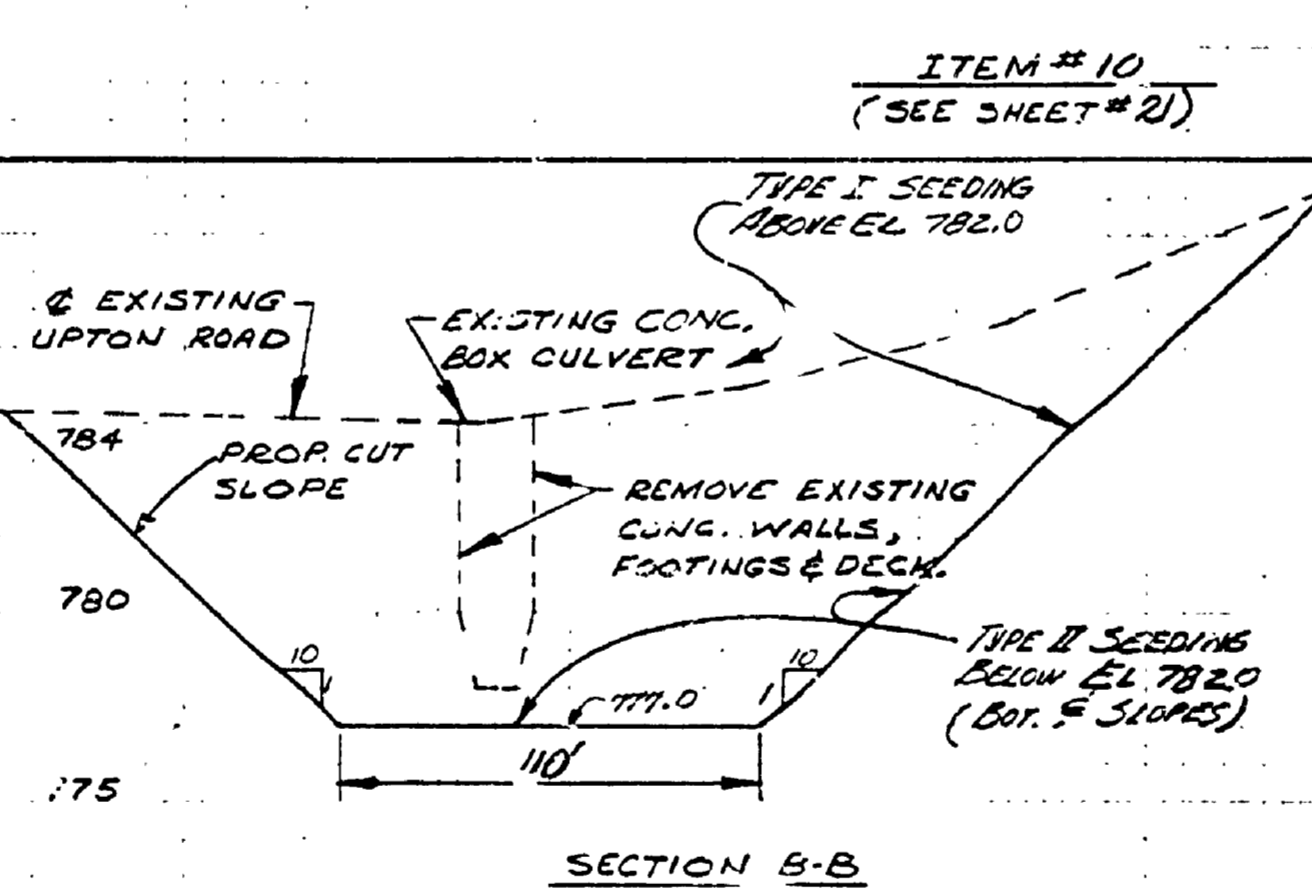


SECTION G-G

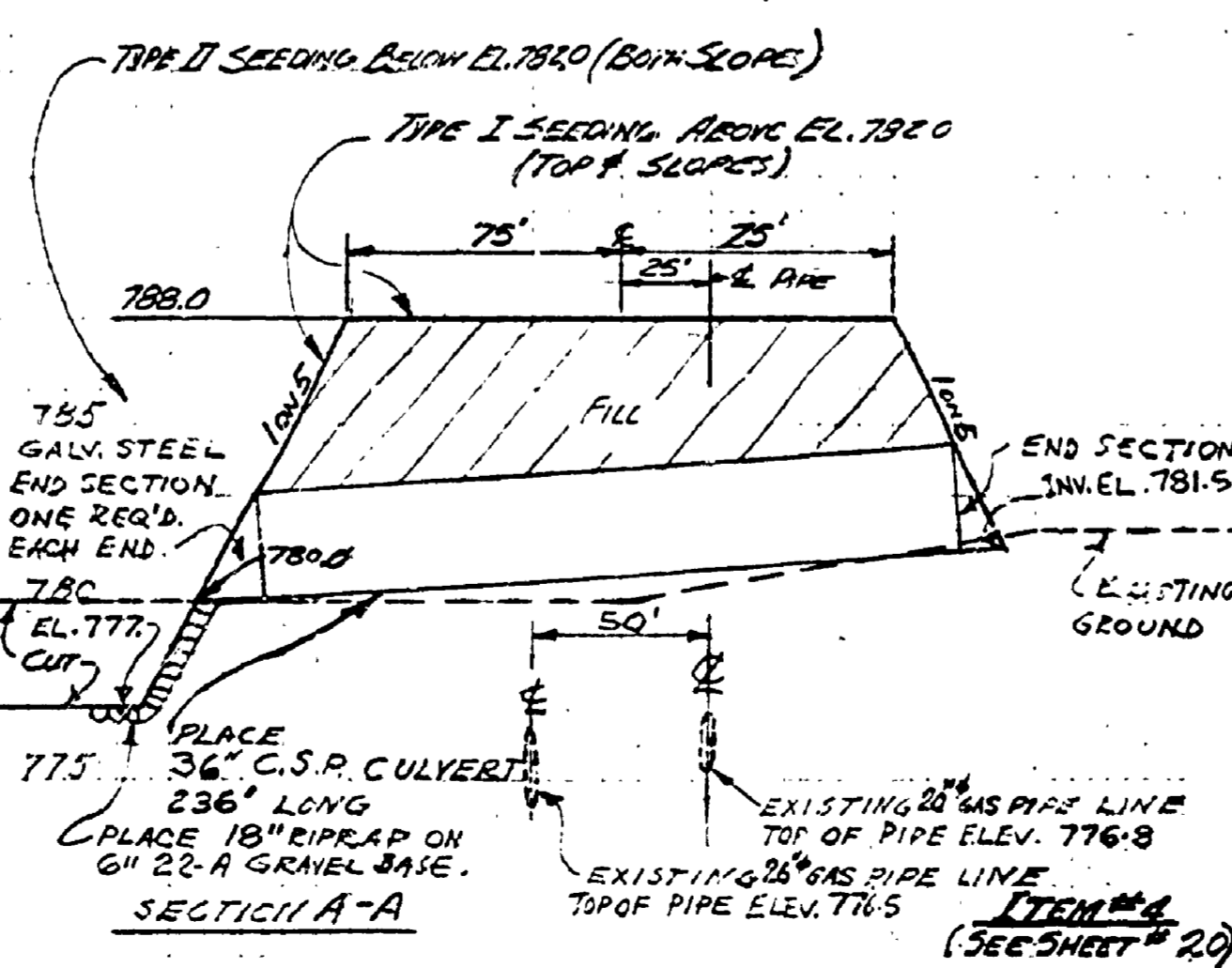
SCALE: HORIZ. 1" = 50'  
VERT. 1" = 5'



SECTION A-A

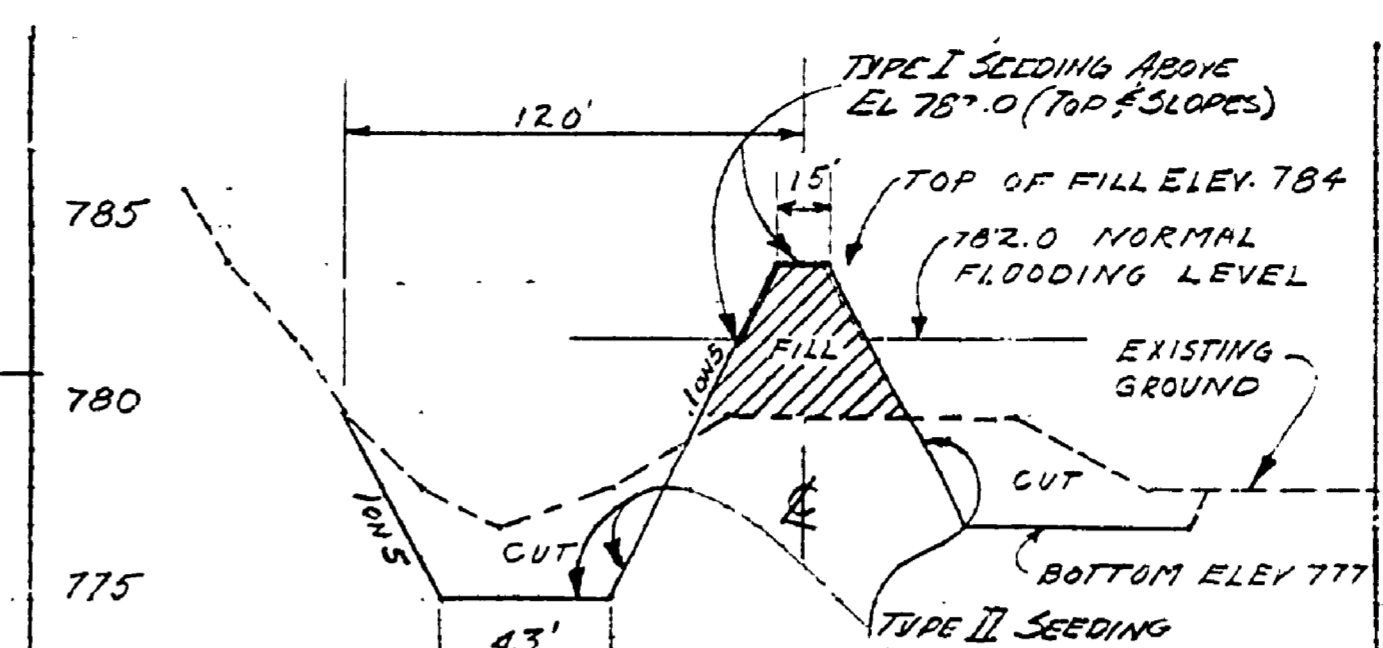


SECTION B-B

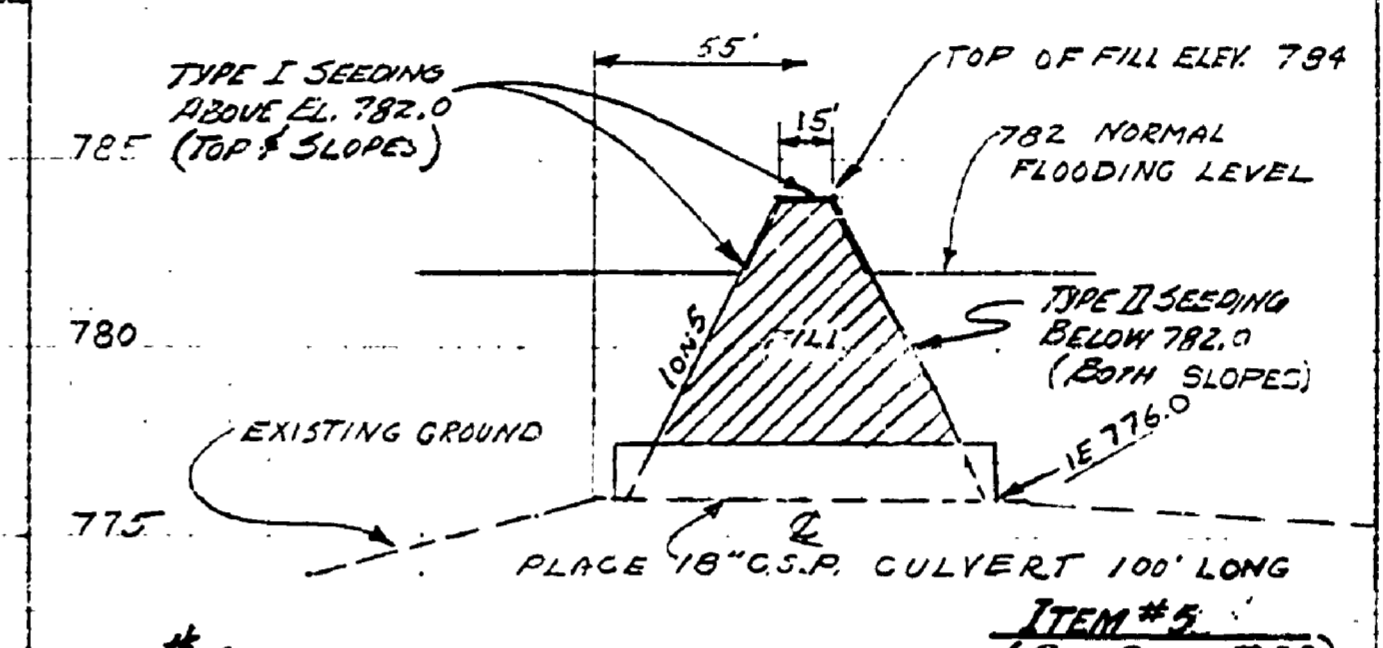


SECTION A-A

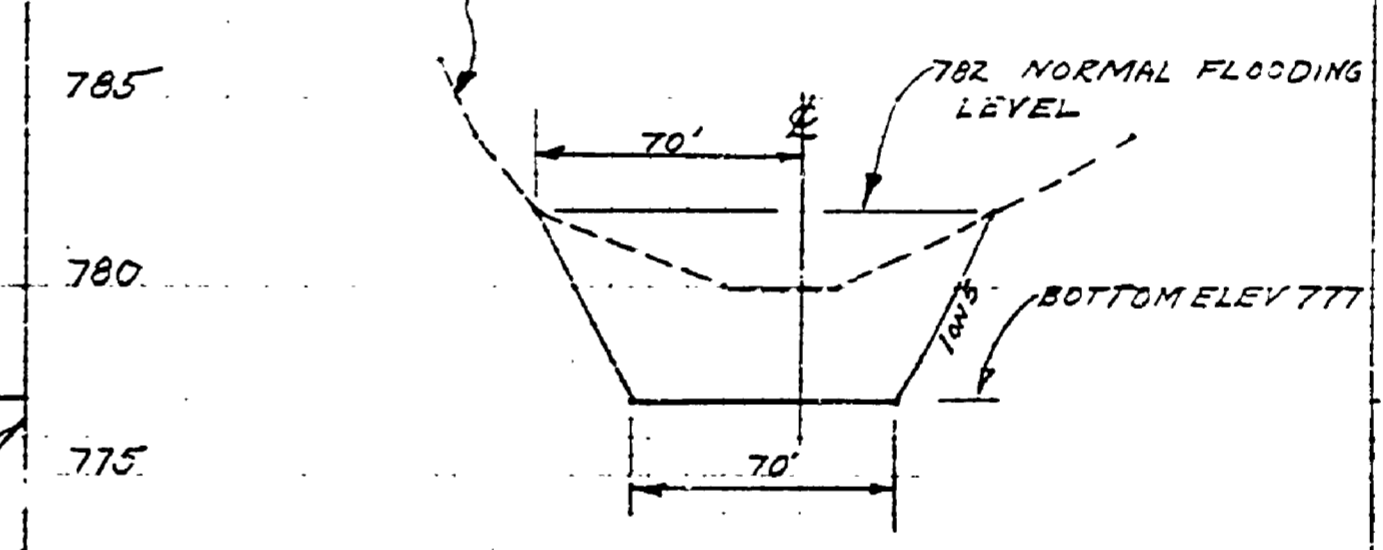
SCALE: HORIZ. 1" = 50'  
VERT. 1" = 5'



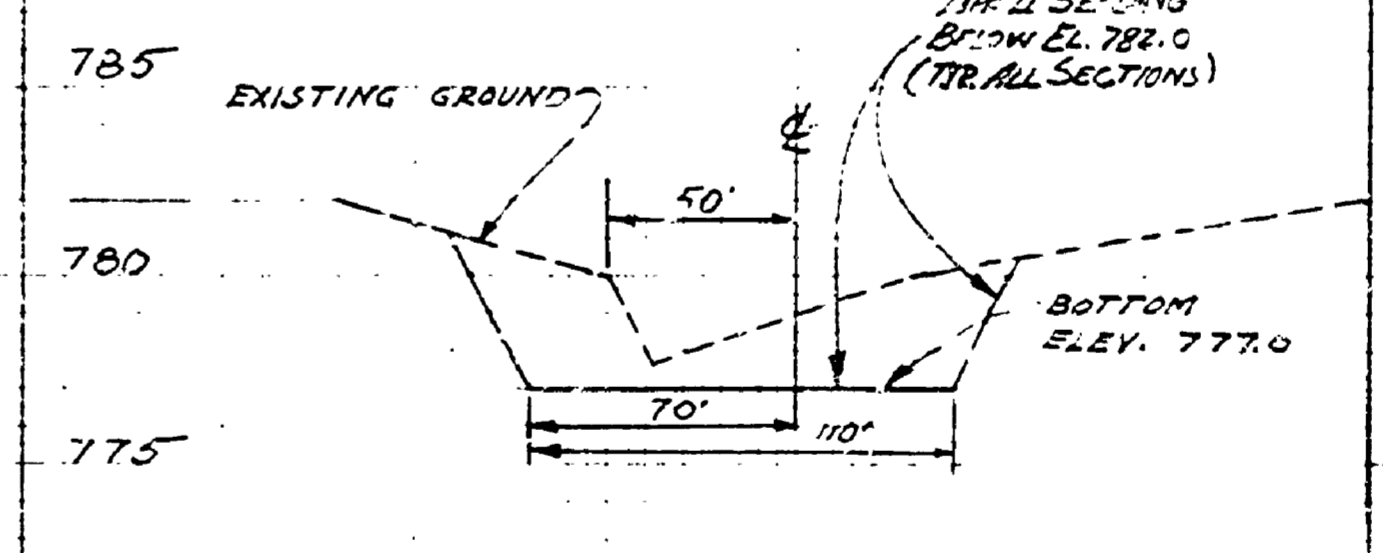
ITEM #1



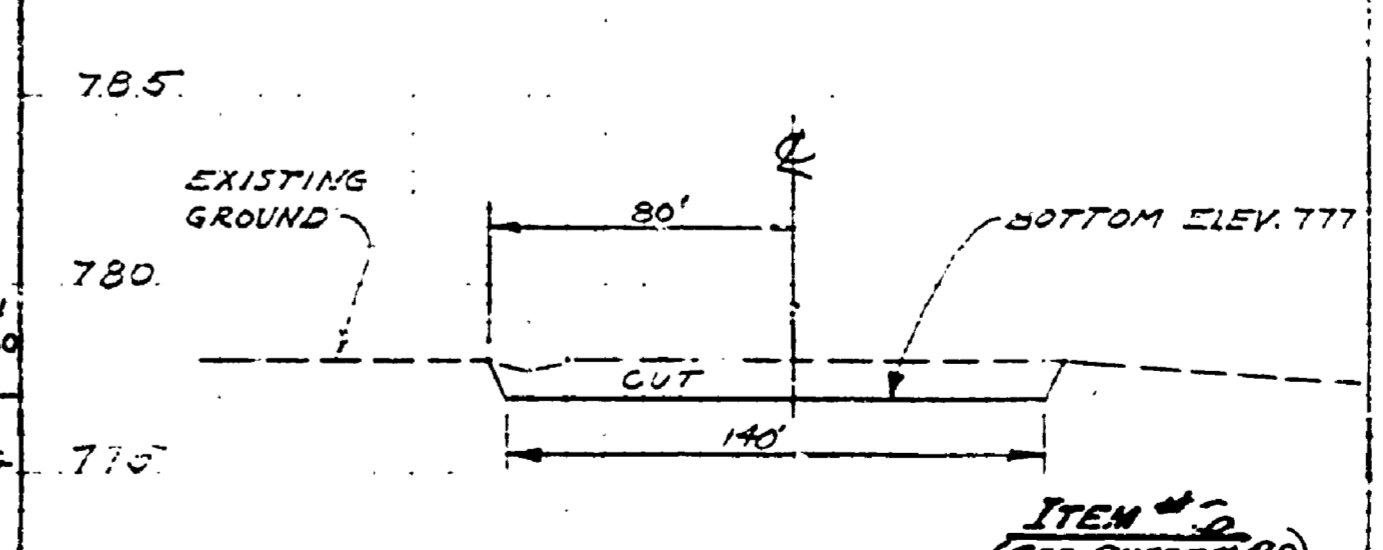
ITEM #2



SECTION O+50

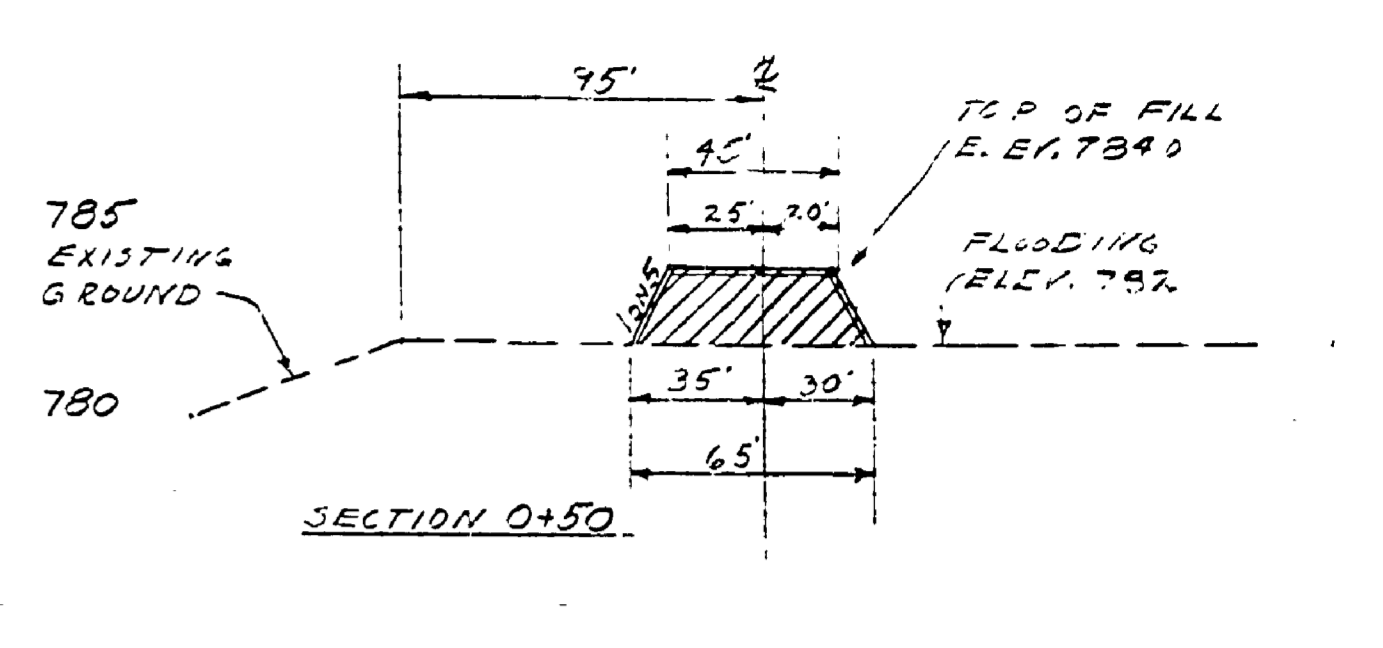


SECTION I+00

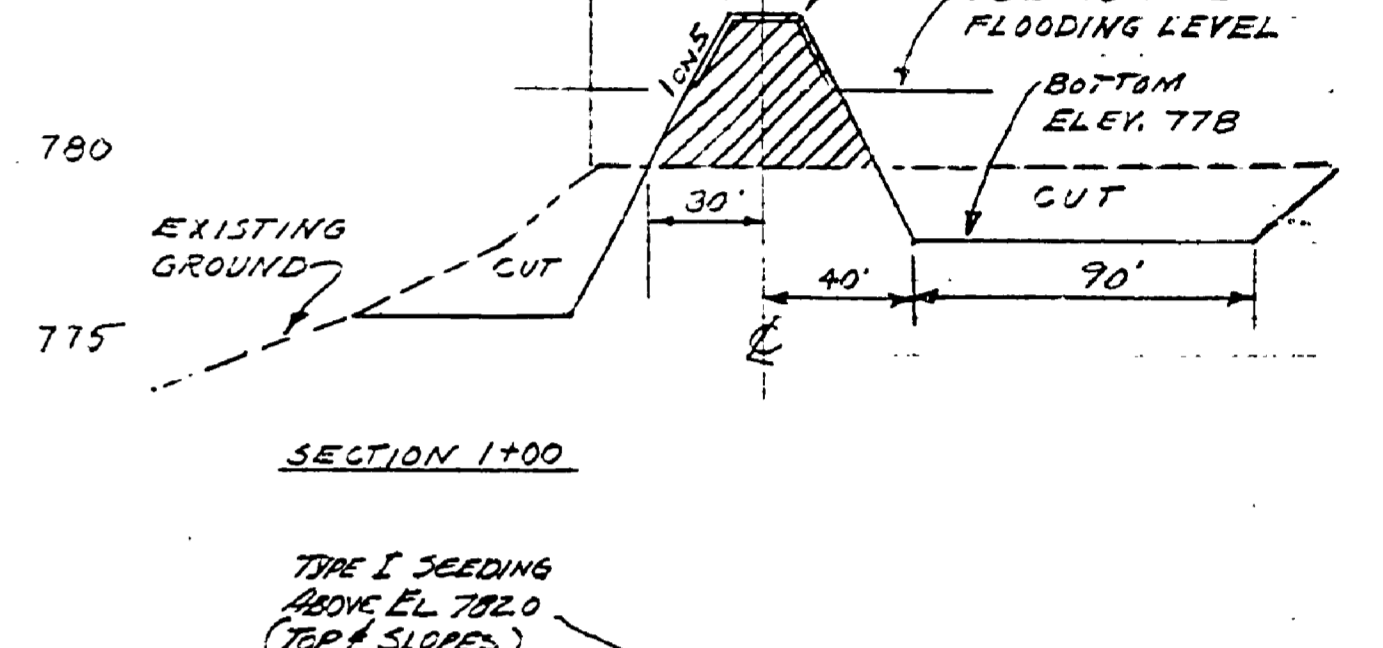


SECTION I+50

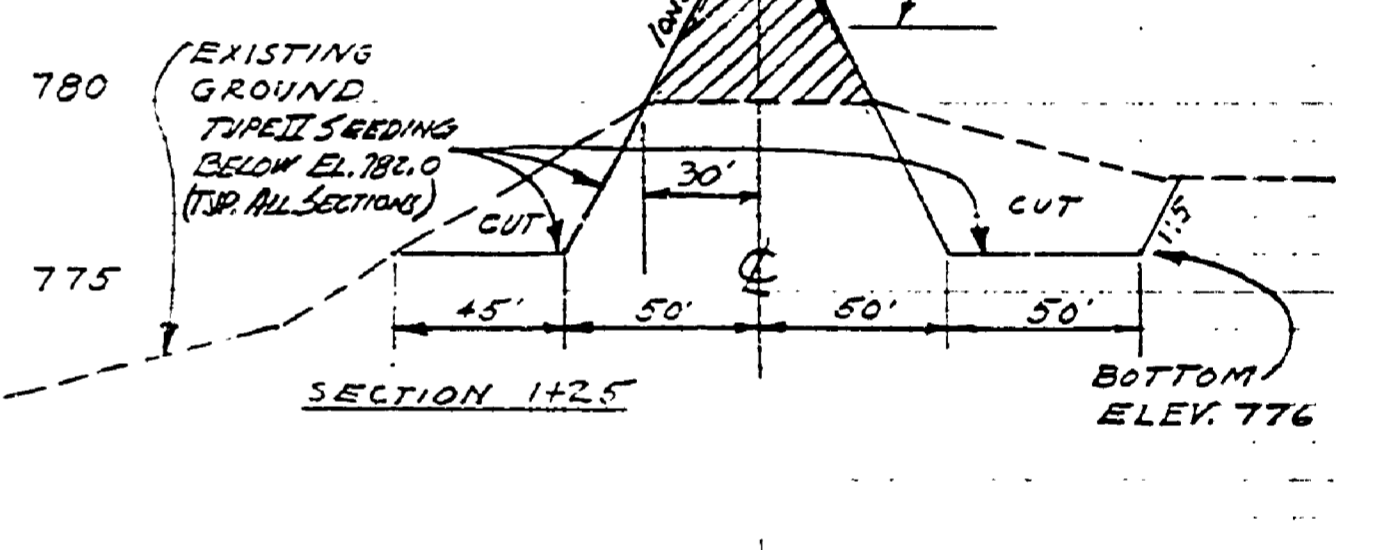
SCALE: HORIZ. 1" = 50'  
VERT. 1" = 5'



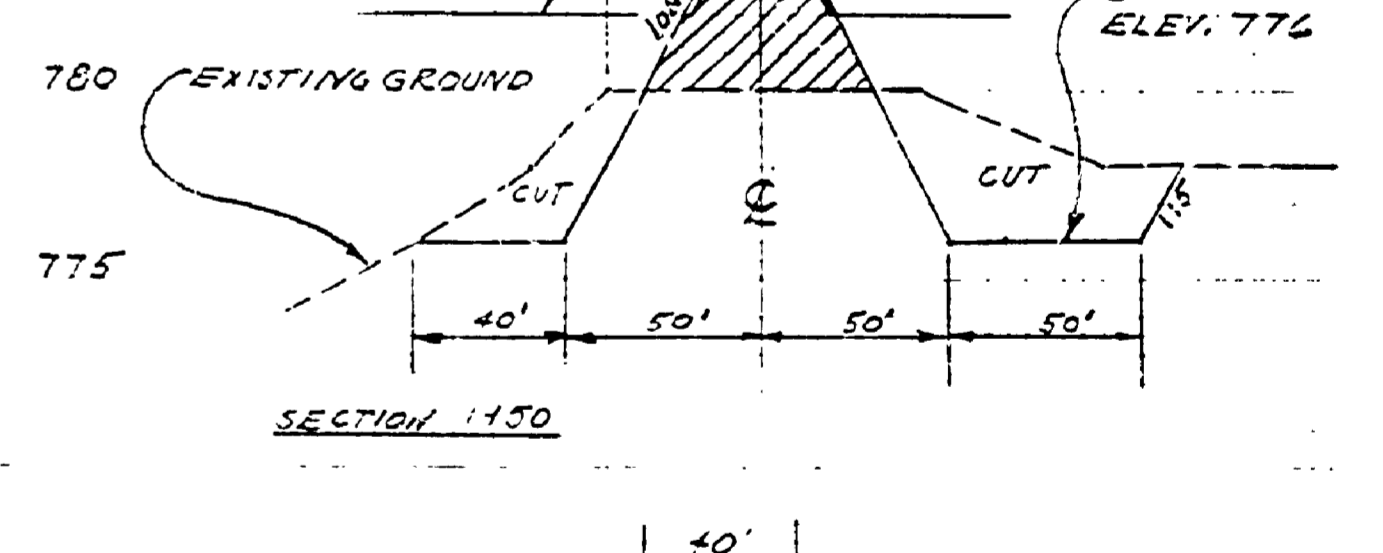
SECTION O+50



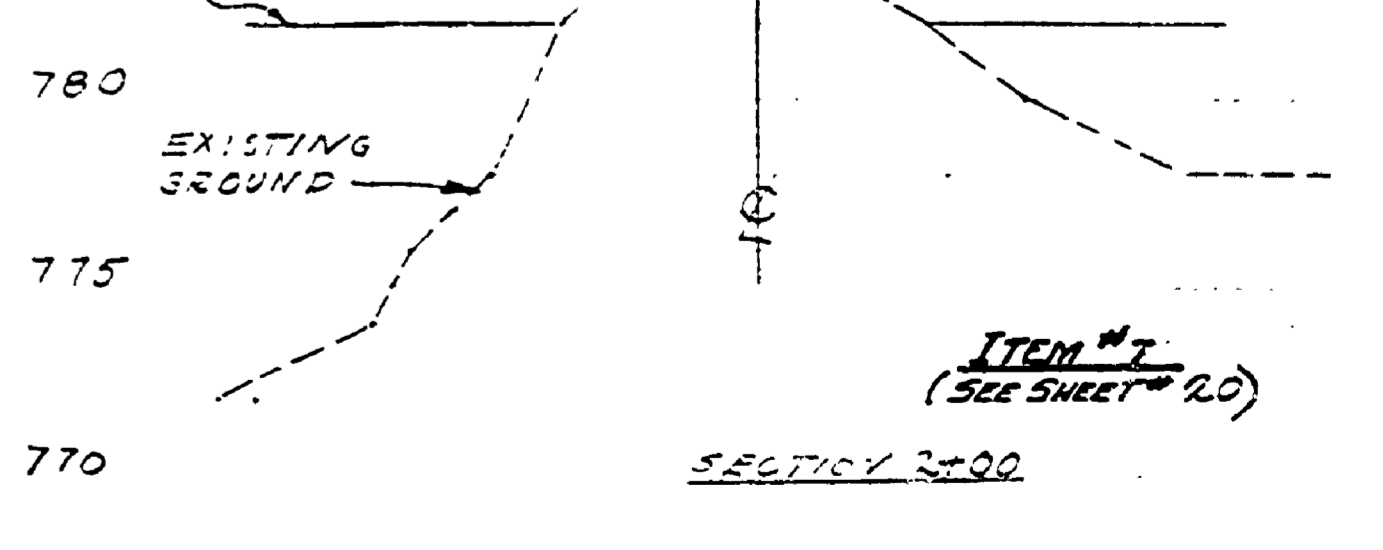
SECTION I+00



SECTION I+25



SECTION I+50



SECTION I+50

SCALE: HORIZ. 1" = 50'  
VERT. 1" = 5'

BEACH AREA, ENTRANCE ROAD AND LAKE BED PREPARATION ITEMS # 1-7 & 10.