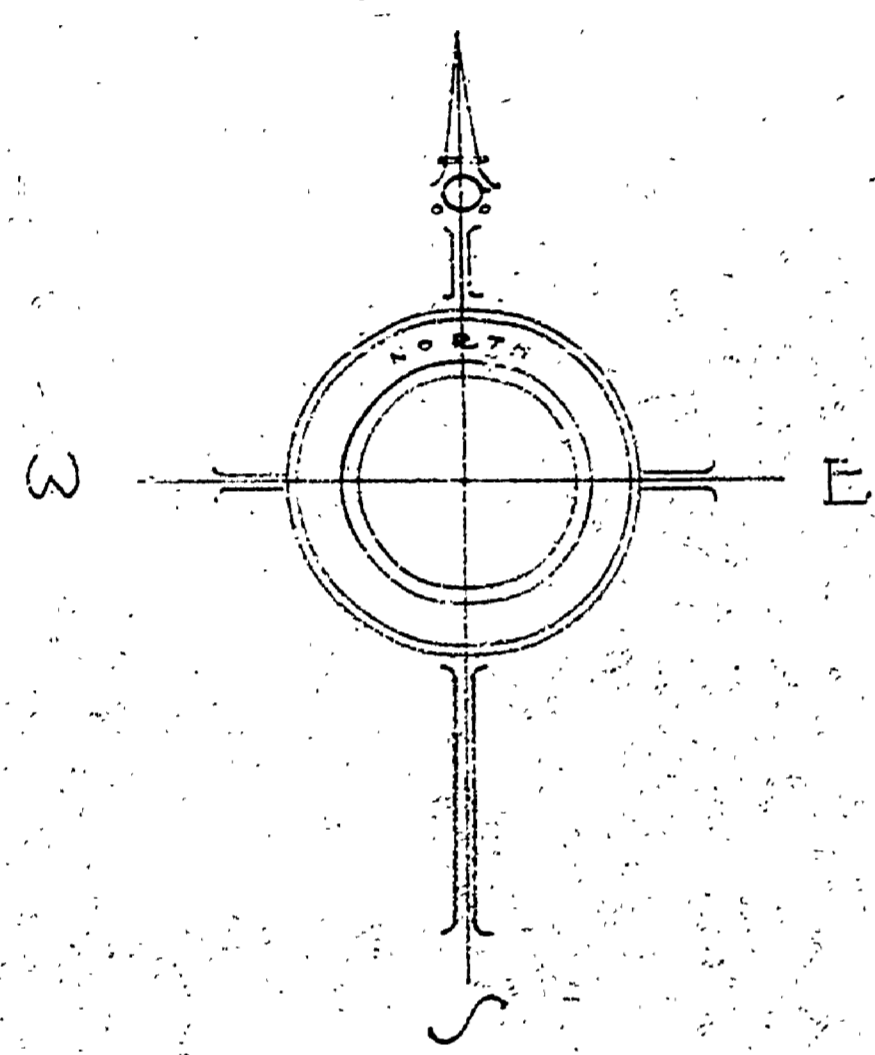
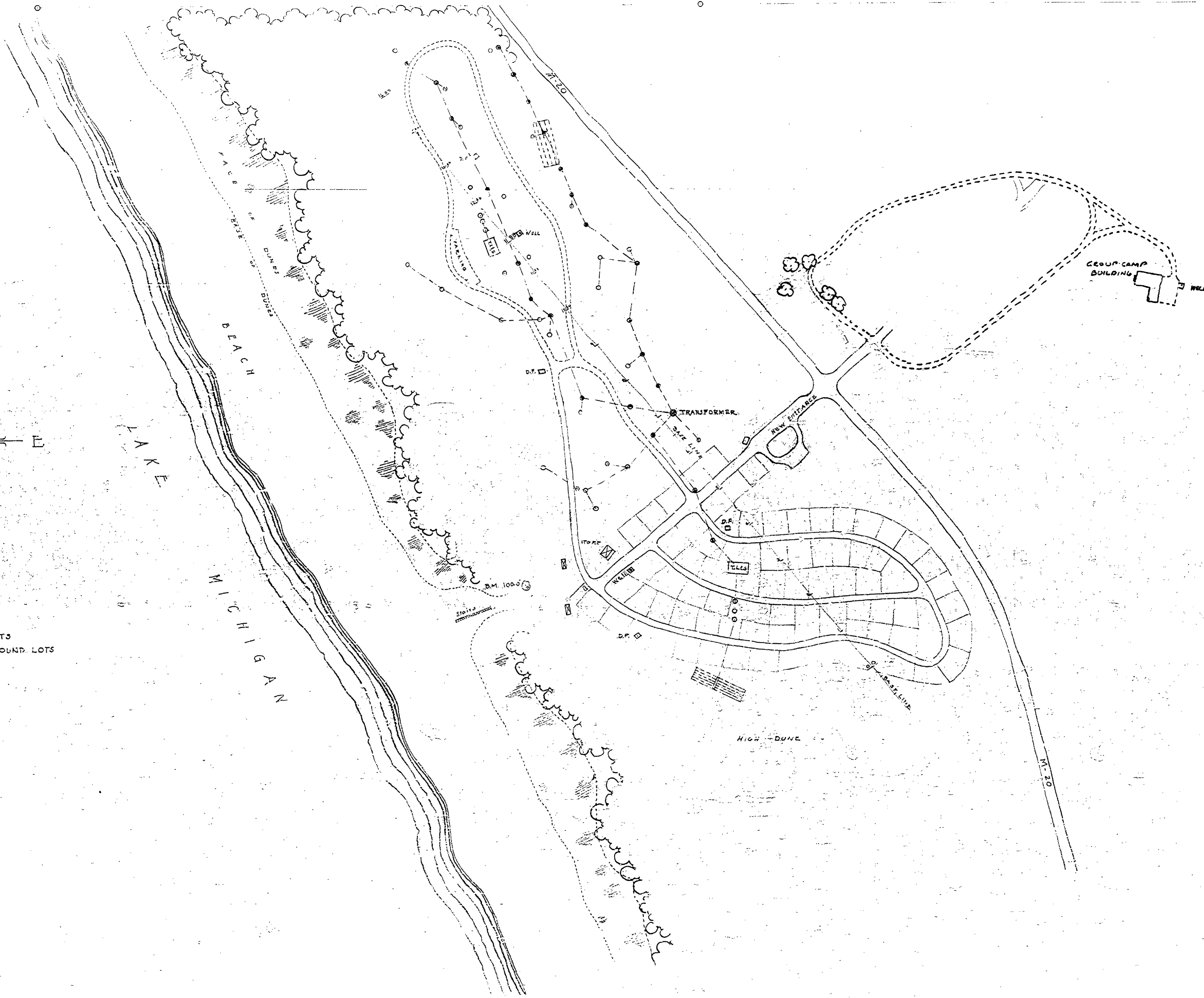


DRAWN BY	CHECKED BY	DATE	REVIEWED BY SECTIONS			APPROVED BY	NO.	DATE	BY
			ARCHITECTURAL	ENGINEERING	LANDSCAPE				
L. E. L.	L. E. L.	MAY 25, 1960	J.I.R.	J.I.R.	J.I.R.	<i>[Signature]</i>	1		
						ASSISTANT CHIEF IN CHARGE	2		
						OF DESIGN	3		
							4		
							5		
							6		



SCALE 1" = 100'

- POWER POLES 220 VOLTS
- 75 ADDITIONAL CAMPGROUND LOTS



MICHIGAN DEPARTMENT OF CONSERVATION PARKS AND RECREATION DIVISION

MUSKEGON STATE PARK BUILDINGS & UTILITIES LOCATION CAMPGROUND

SHEET NO. 1 OF 2 PLAN NO. L-111