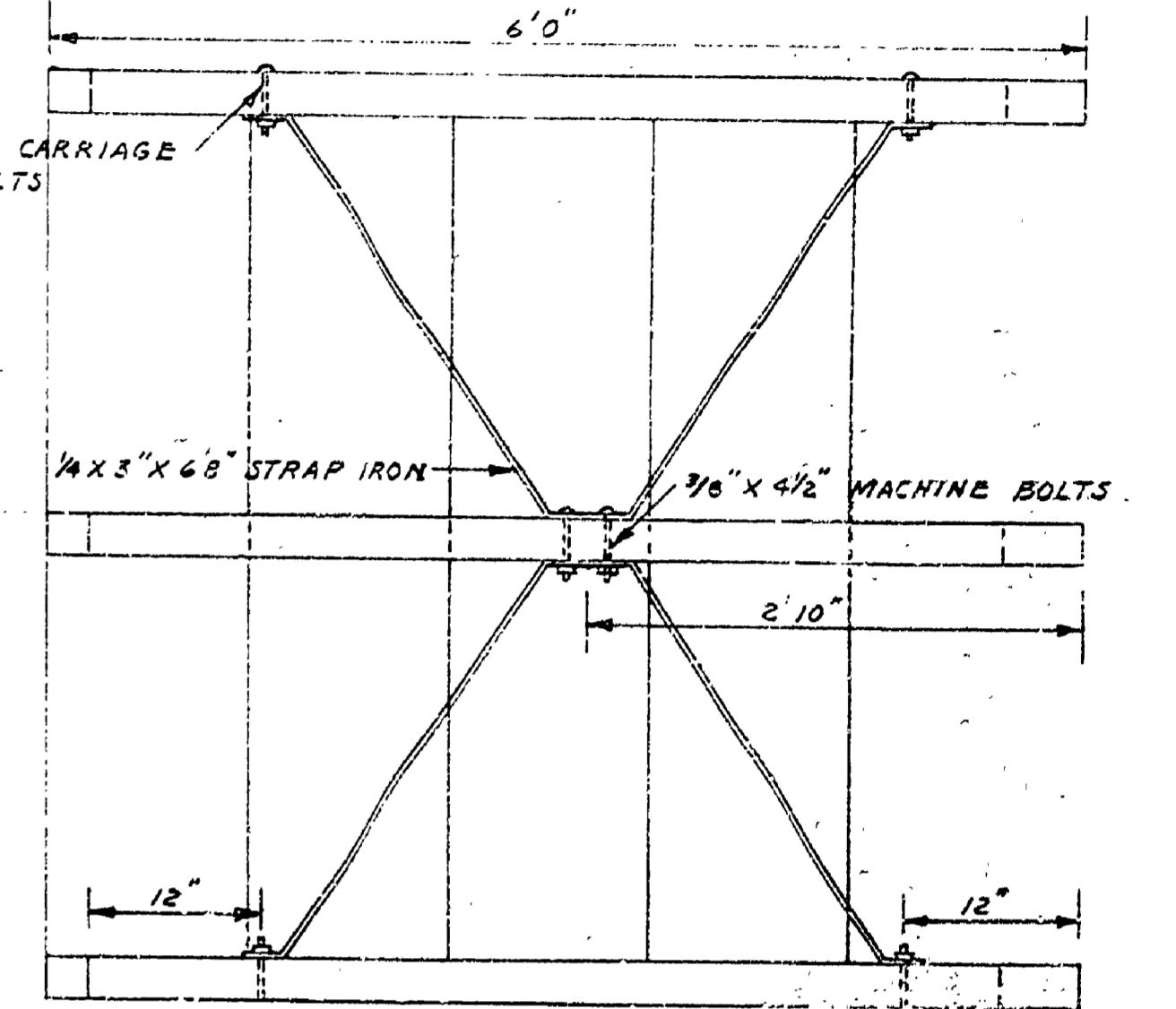
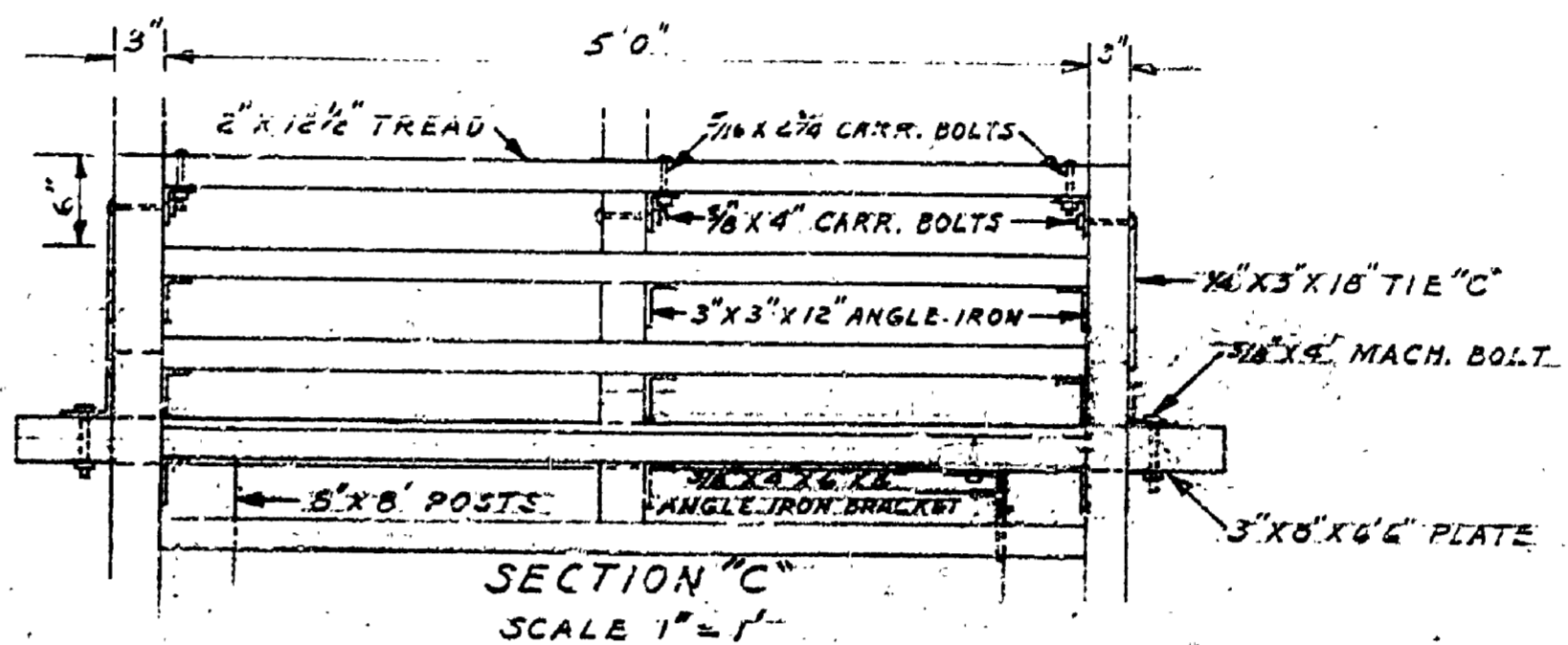
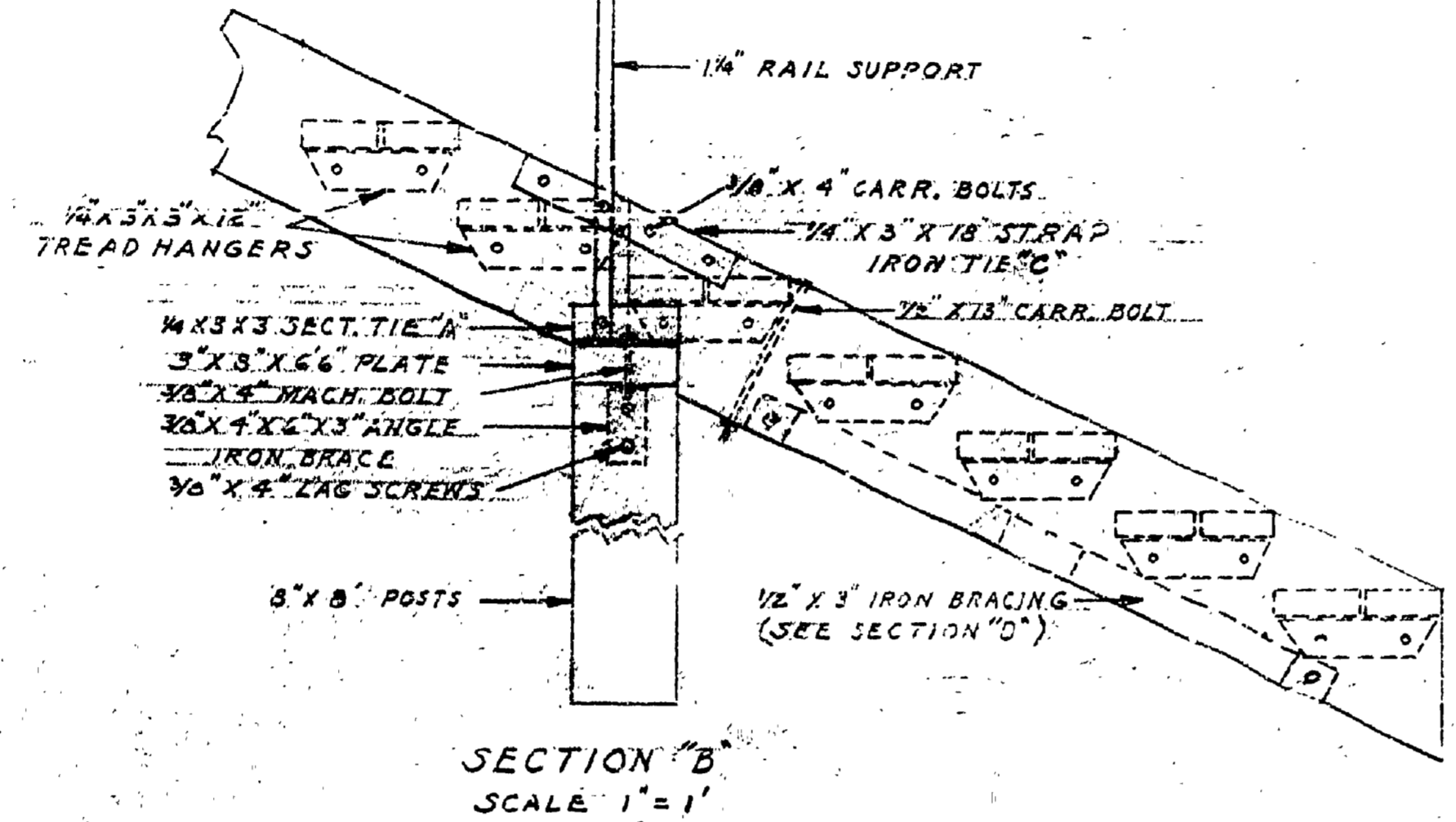
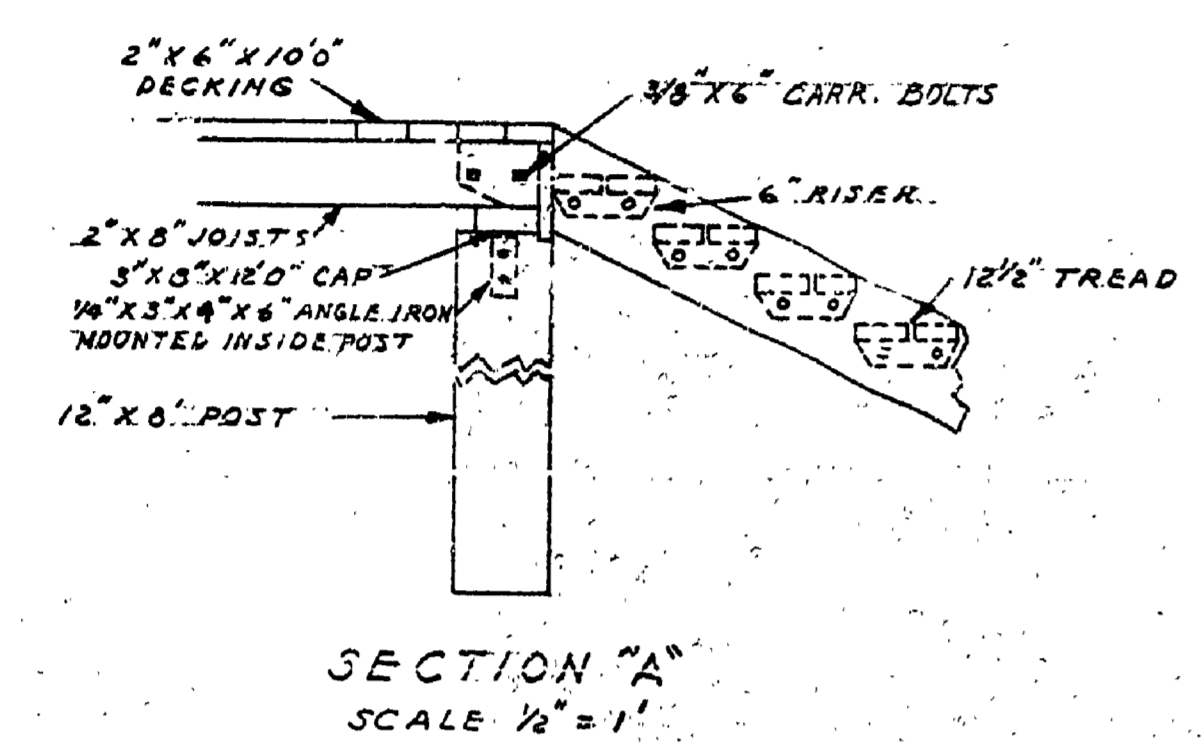
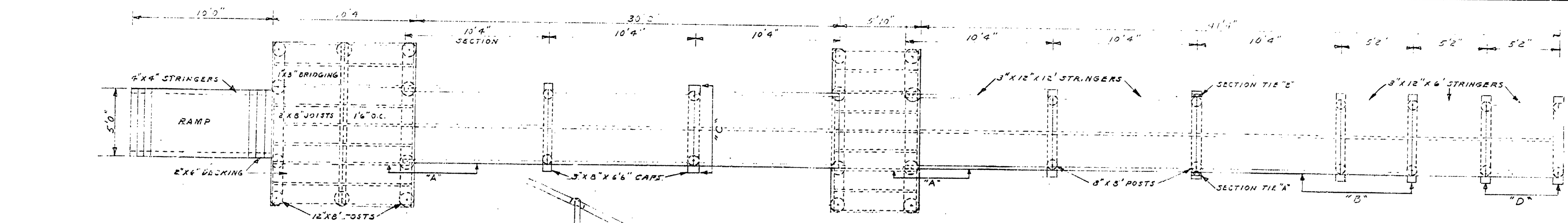
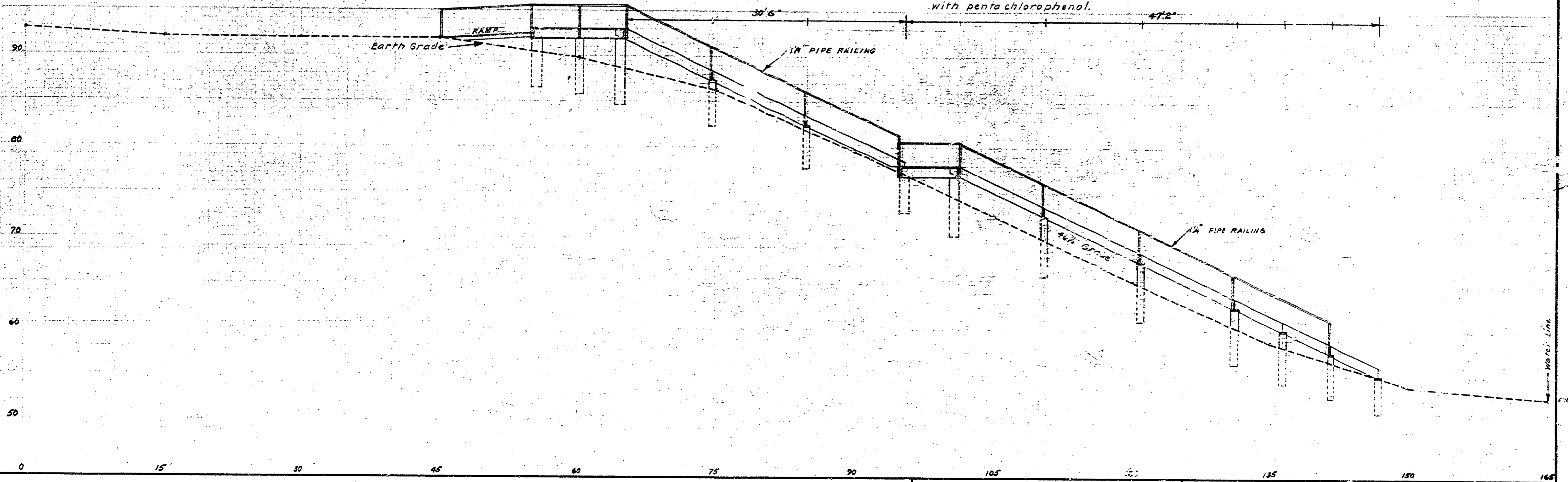


DATE	BY	REVISIONS
		4
		5
		6
NO.	DATE	BY
1		
2		
3		
APPROVED	DATE	REVIEWED BY SECTIONS
<i>[Signature]</i>	3-16-56	J.I.R. ARCHITECTURAL
DESIGNED BY	DATE	ENGINEERING
H.C.H.	1/15/56	J.I.R.
CONSTRUCTION DATE		LANDSCAPE
DRAWN BY	DATE	TRACED BY
L.M.C.	12-14-55	J.I.R.
CHECKED BY		
J.I.R.		



NOTE - Bottom three sections (5'2" sections) to be removed in fall and posts replaced in spring if damaged by ice or high water. Pitch of treads may be changed, if necessary, by reboring bolt holes in angle iron hangers. All wood materials to be treated with penta chlorophenol.



SCALE - HOR. 1" = 5'
VERT. 1" = 5'

MICHIGAN DEPARTMENT OF CONSERVATION PARKS AND RECREATION DIVISION

MUSKEGON STATE PARK CAMPGROUND BEACH STEPS PLAN & PROFILE

SHEET NO. 1 OF 2 PLAN NO. L-107