

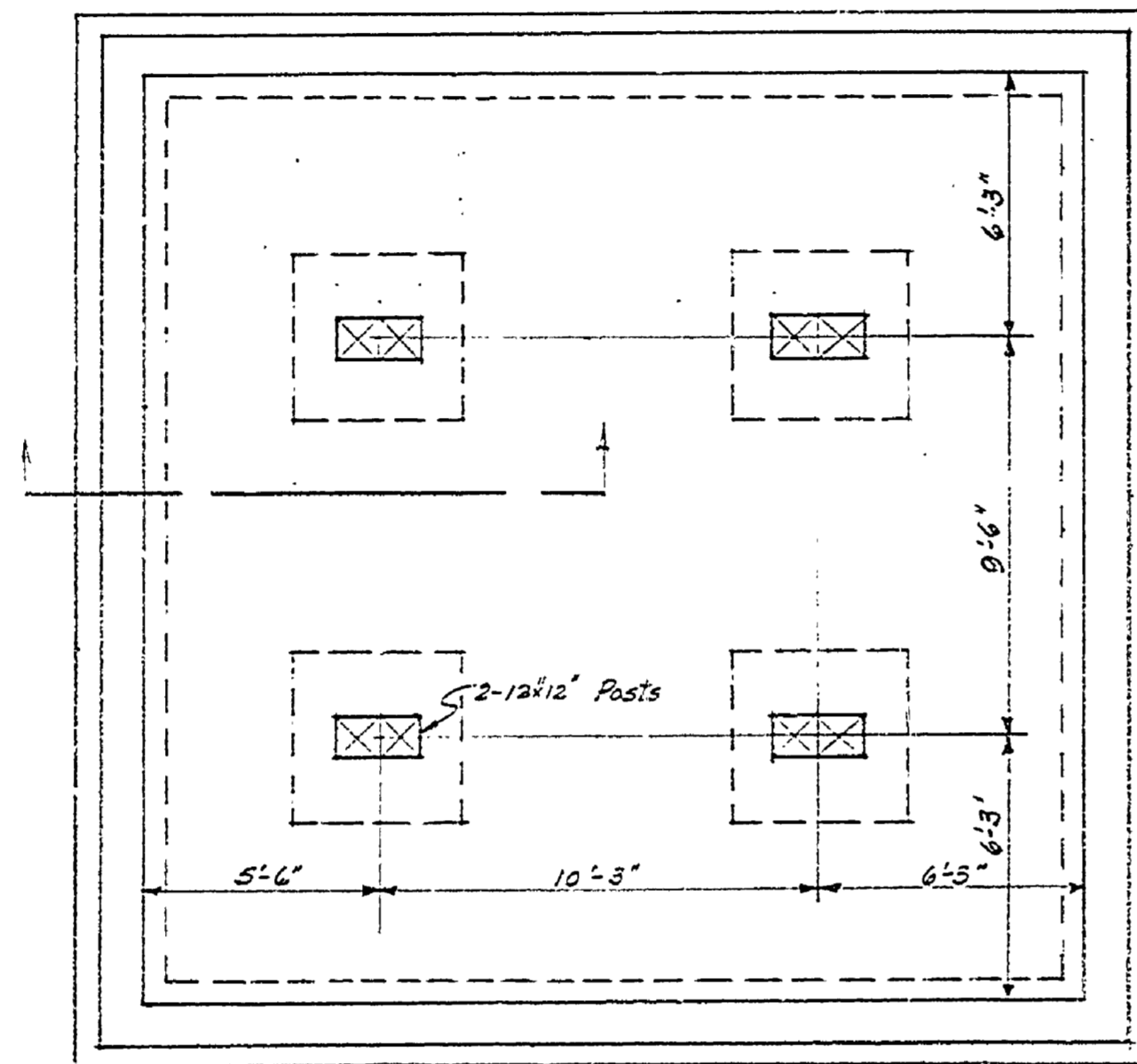
# RECONSTRUCT BLOCK HOUSE

(FIRE LOSS)

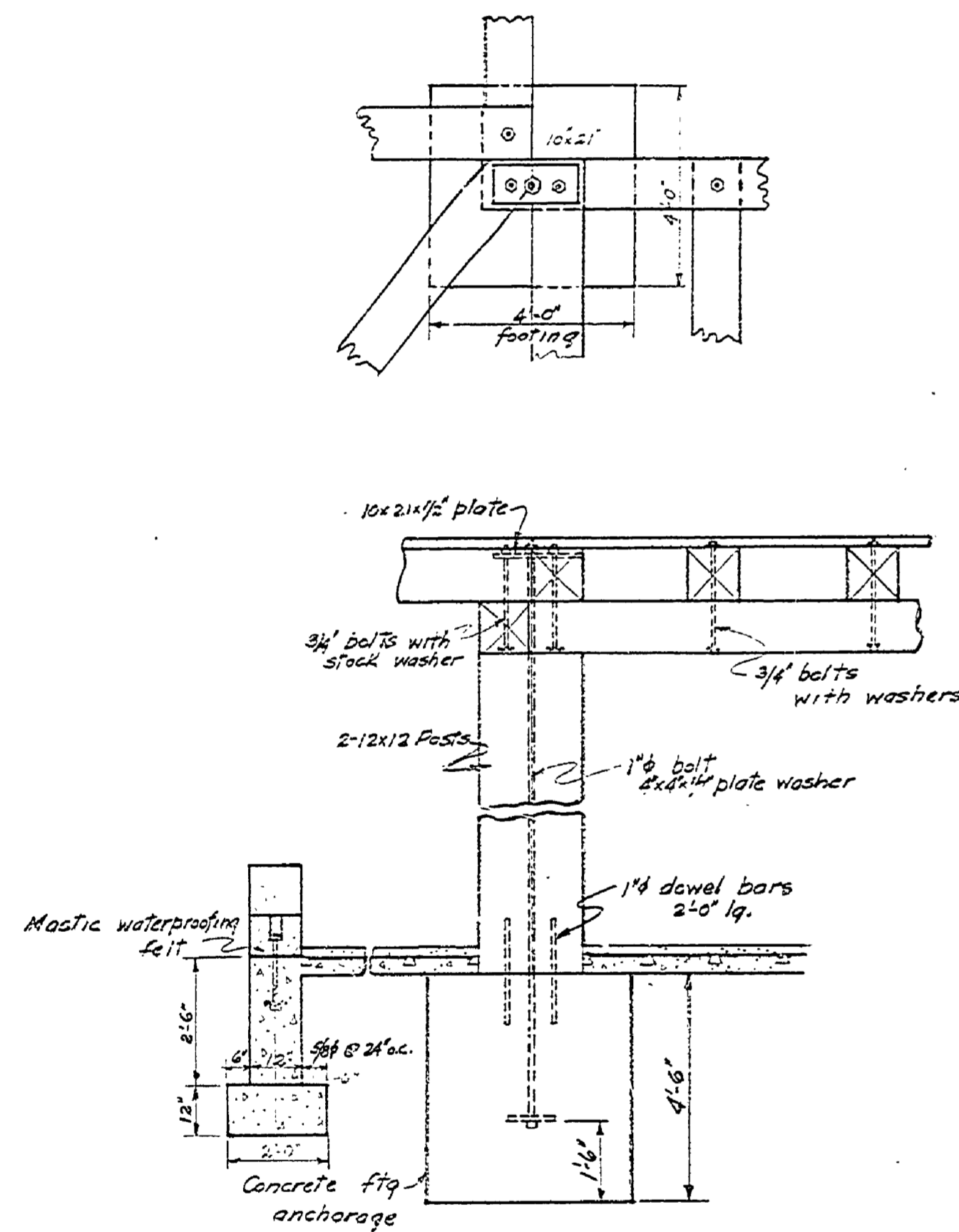
## MUSKEGON STATE PARK

PROJECT NO. 266-39-C1

*Robert Jones* 5/24/63  
CHIEF, PARKS AND RECREATION DIVISION



FOUNDATION PLAN  
Scale 1/4" = 1'-0"



DETAIL OF CORNER POST ANCHORAGE  
Scale 3/8" = 1'-0"

DESIGNED BY	DRAWN BY	CHECKED BY	DATE	REVIEWED	DATE	APPROVED	DATE	NO.	DATE BY	REVISIONS				
										ARCHITECTURAL	ENGINEERING	LANDSCAPE	DATE	NO.
			5/20/63		5/20/63		5/21/63	1				4		
								2				5		
								3				6		

DRAWING INDEX	
SHEET NO.	TITLE
COVER	COVER SHEET - FOUNDATION DETS.
1	FLOOR PLANS - ELEVATIONS
2	BLDG. SECTIONS - FRAMING PLANS
3	FOUNDATION PLAN - DETAILS
4	DETAILS

MICHIGAN  
DEPARTMENT OF CONSERVATION  
PARKS AND RECREATION DIVISION

FOUNDATION PLAN - BLOCK HOUSE  
MUSKEGON STATE PARK  
INS. NO 26

SHEET NO. \_\_\_\_\_  
OF \_\_\_\_\_

PLAN NO.  
A-94