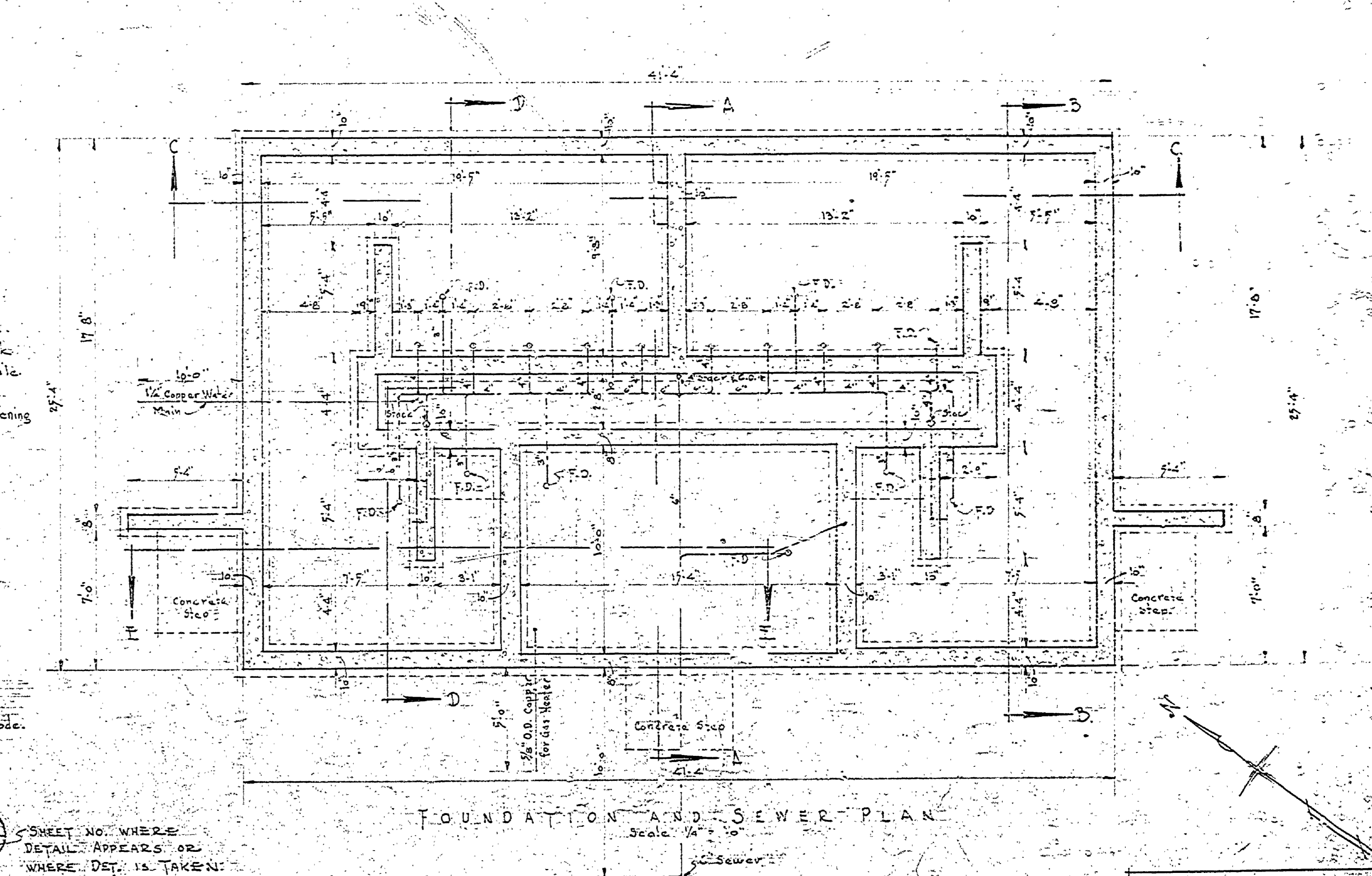
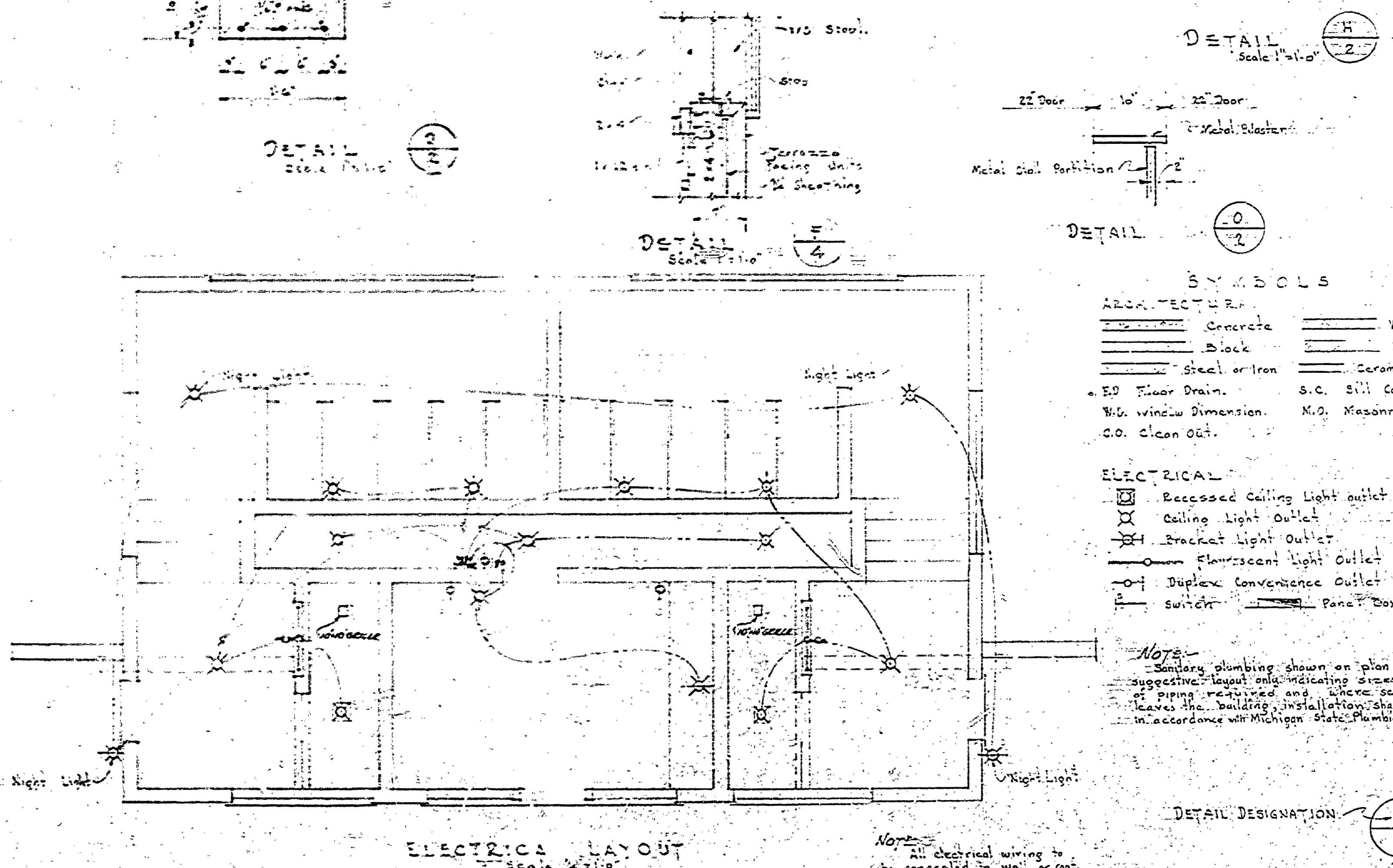
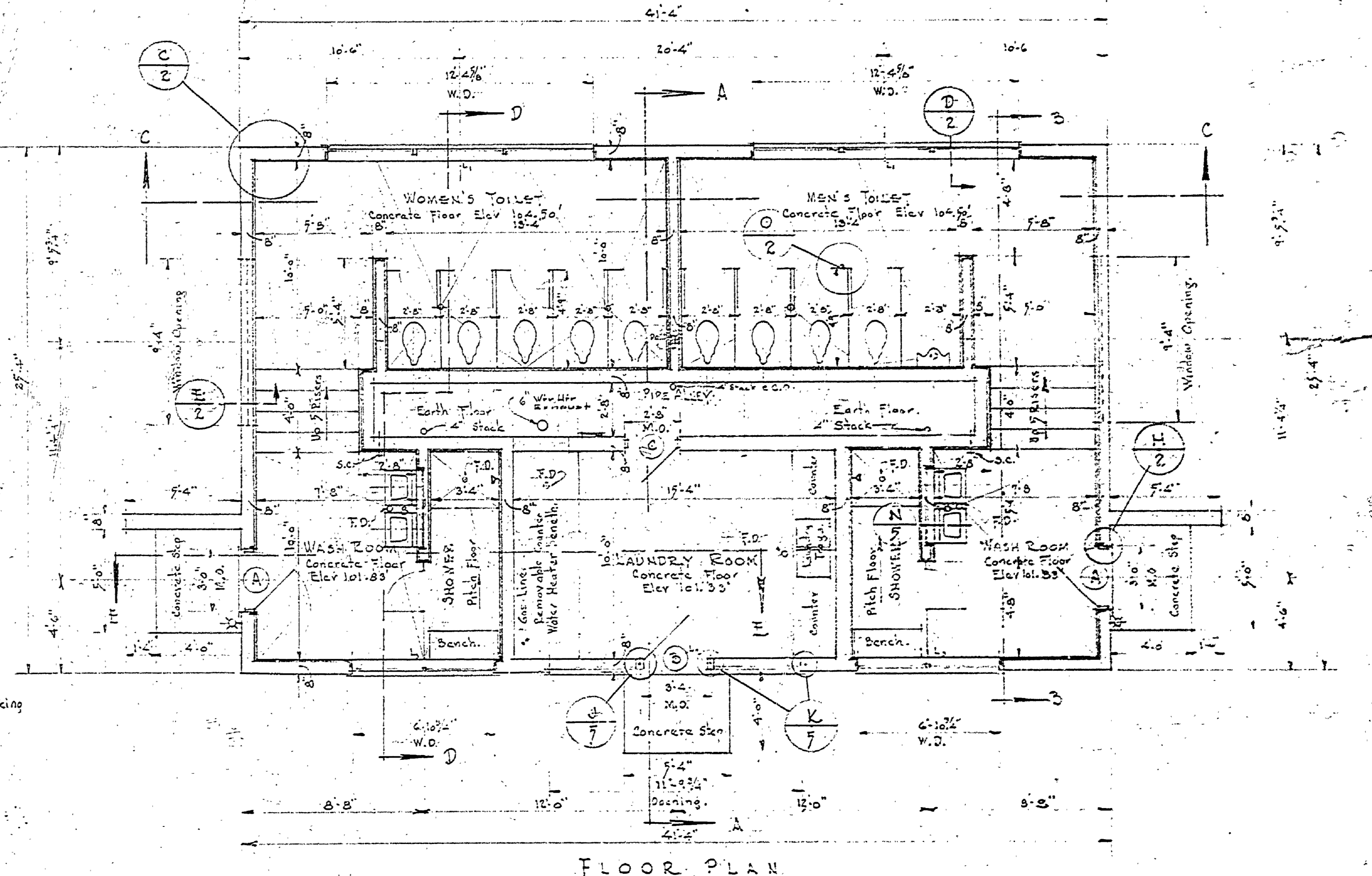
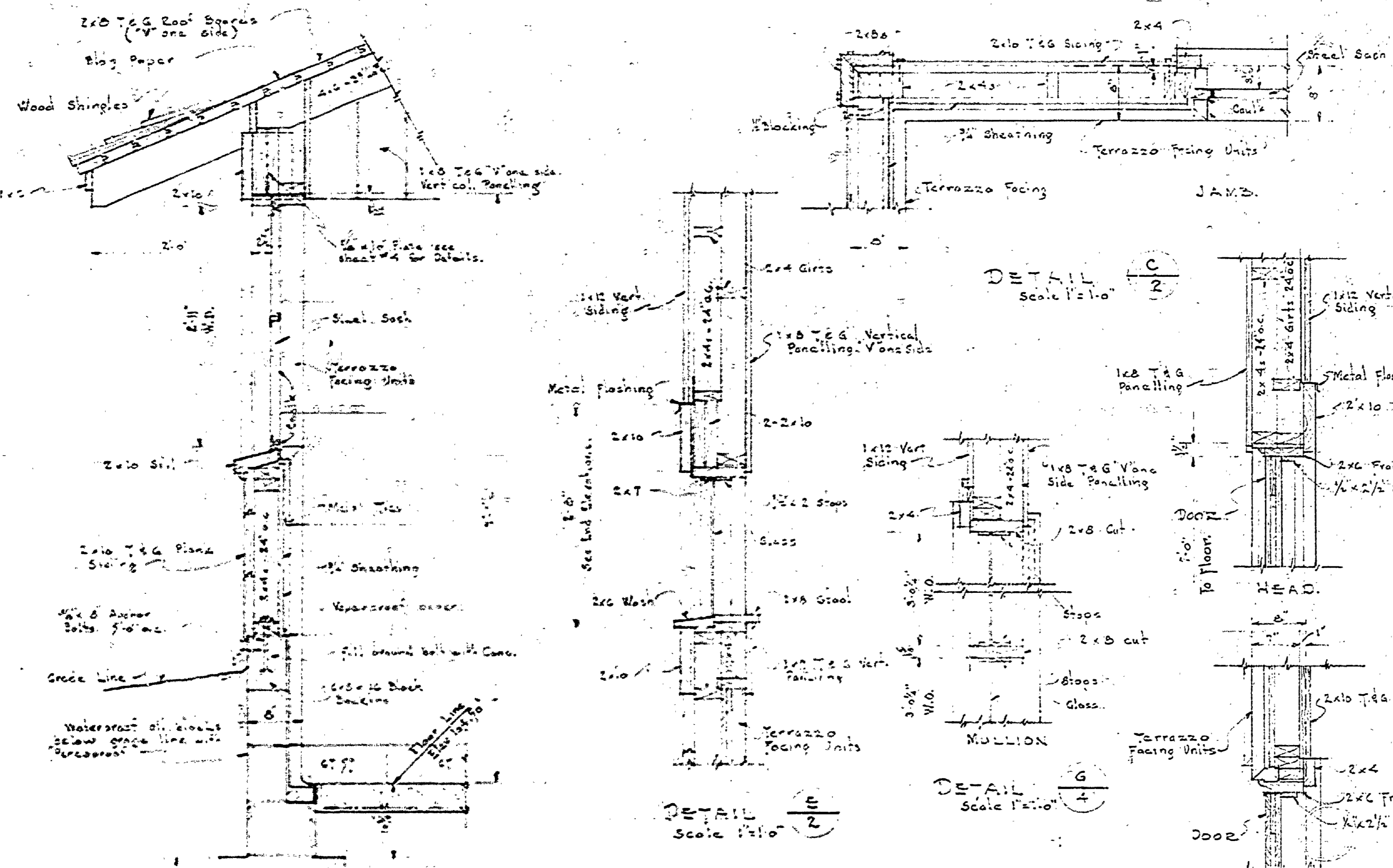


NO.	DATE	BY	REVISIONS
1			
2			
3			
4			
5			
6			

DATE	APPROVED BY	DATE	APPROVED BY
12-25-56	H.C. [Signature]	12-25-56	H.C. [Signature]
1-2-57	J.R. [Signature]	1-2-57	J.R. [Signature]
2-5-56	J.R. [Signature]	2-5-56	J.R. [Signature]

REVIEWED BY SECTIONS	ARCHITECTURAL	ENGINEERING	LANDSCAPE
DATE	DATE	DATE	DATE
12-25-56	1-2-57	1-2-57	1-2-57

DATE	CHECKED BY	DATE	APPROVED BY
12-25-56	J.R. [Signature]	12-25-56	H.C. [Signature]



- SYMBOLS**
- ARCHITECTURE**
- Concrete
 - Block
 - Steel or Iron
 - F.D. Floor Drain
 - W.D. window Dimension
 - C.O. clean out
 - Wood
 - Bricks
 - Ceramic Tile
 - S.C. Sill Cock
 - M.O. Masonry Opening
- ELECTRICAL**
- Recessed Ceiling Light outlet
 - Ceiling Light Outlet
 - Bracket Light Outlet
 - Fluorescent Light Outlet
 - Duplex Convenience Outlet
 - Switch
 - Panel Box
- NOTE**
- Sanitary plumbing shown on plan is suggestive layout only indicating areas of piping, fixtures and where sewer leaves the building. Installation shall be in accordance with Michigan State Plumbing Code.

DETAIL DESIGNATION

— A — SHEET NO. WHERE DETAIL APPEARS OR WHERE DET. IS TAKEN

— SYMBOL —