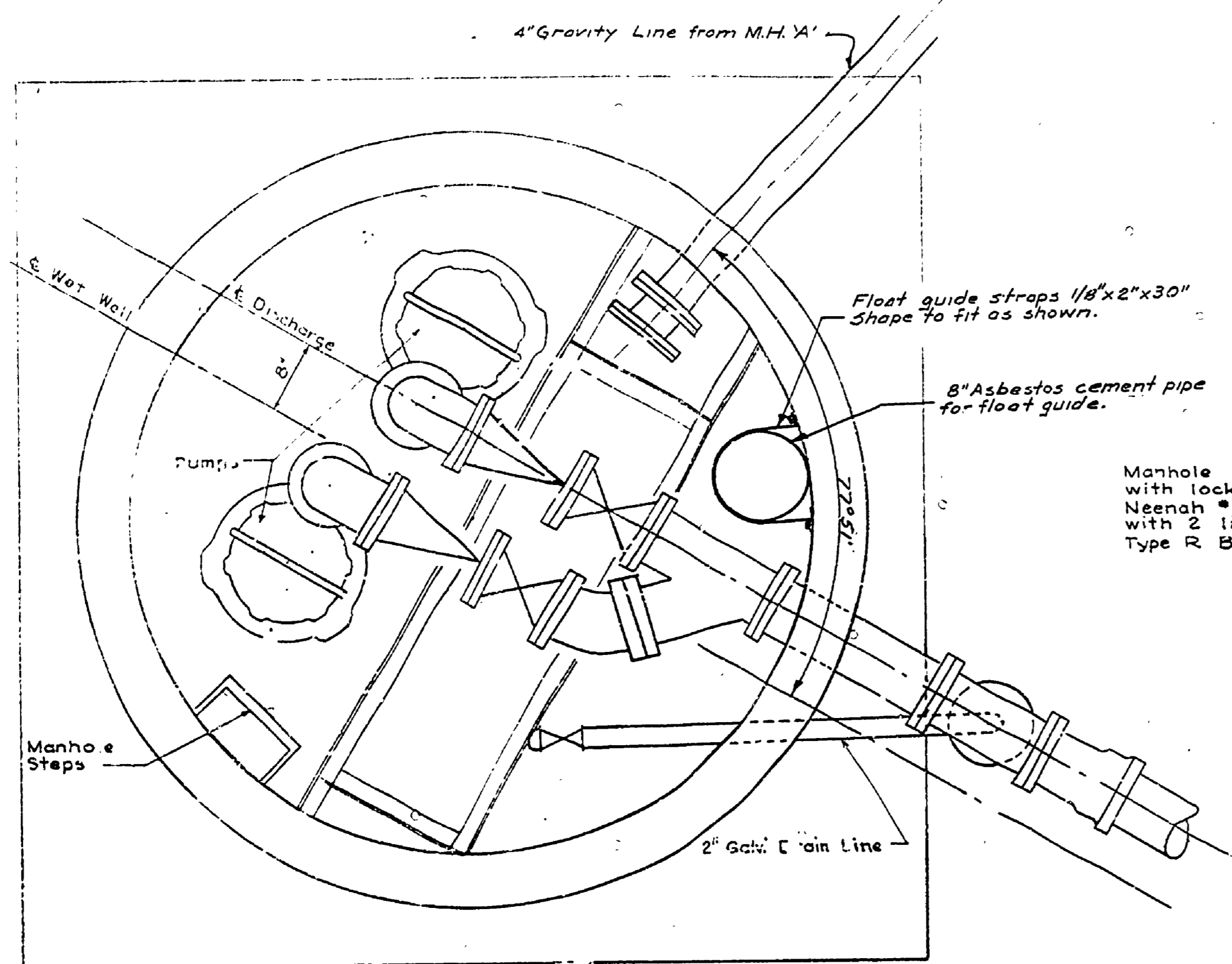
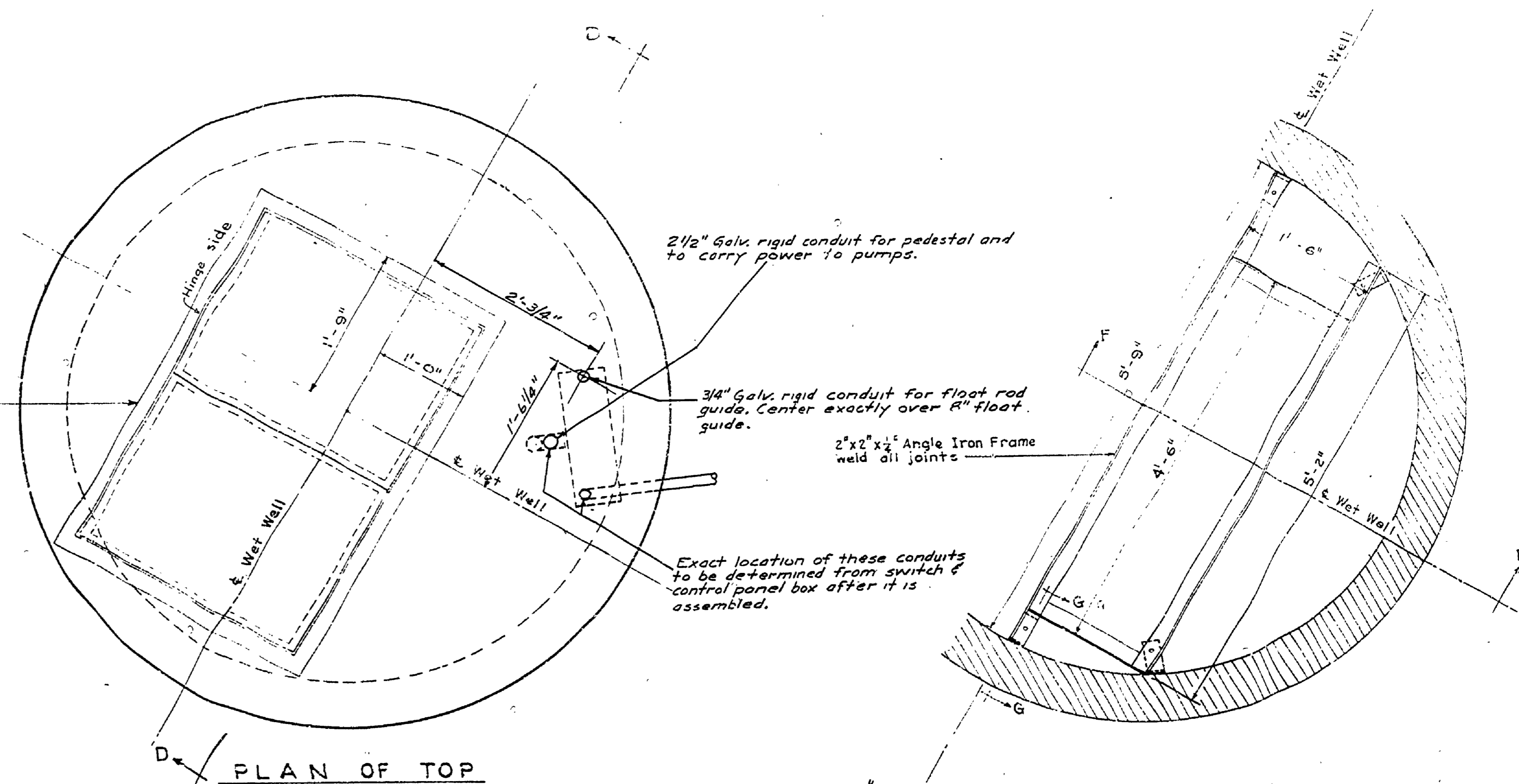


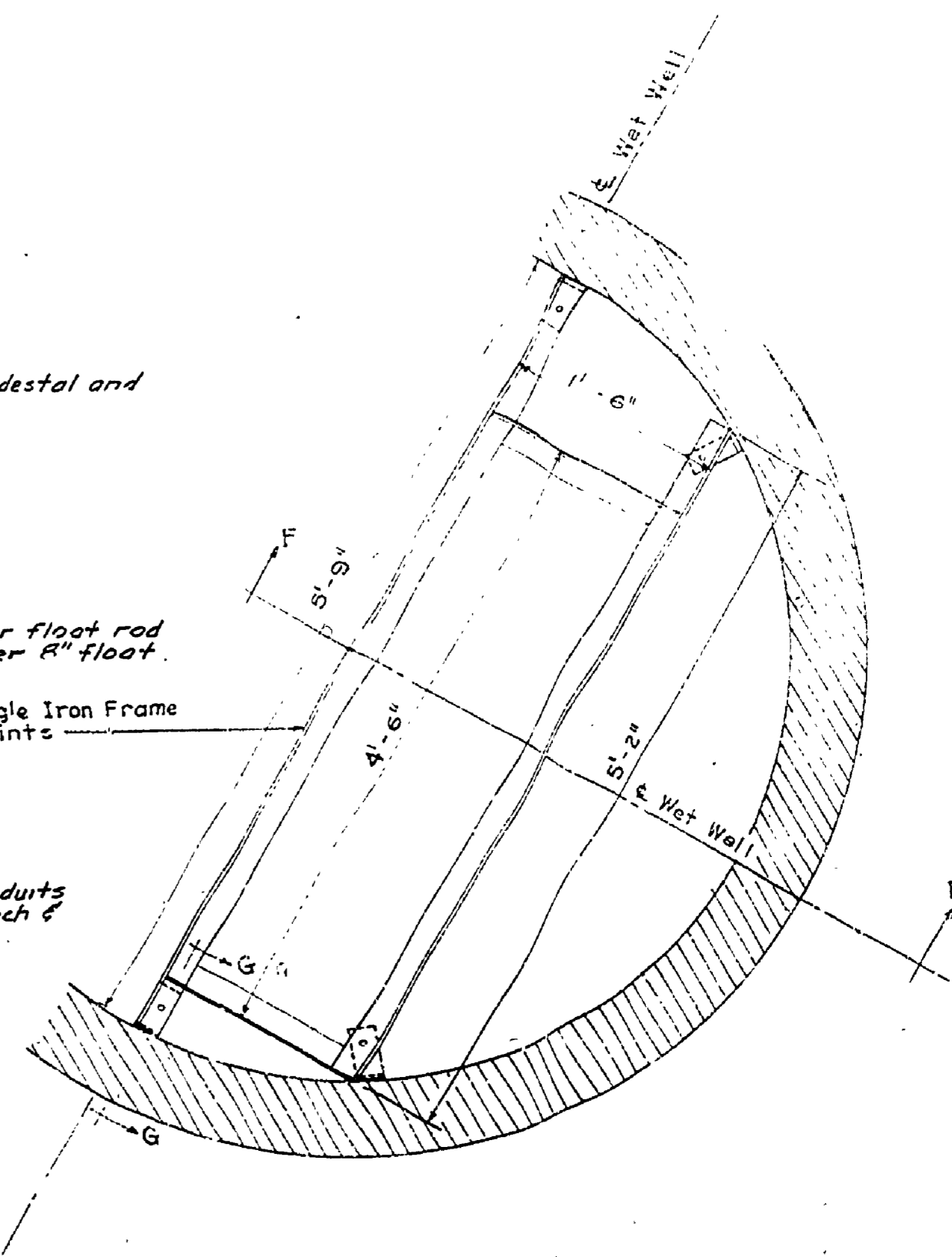
DATE	BY	REVISIONS
		4
		5
		6
NO.	DATE	BY
1		
2		
3		
DATE	APPROVED BY	REVIEWED BY SECTIONS
		ARCHITECTURAL
		ENGINEERING
		LANDSCAPE
DATE	TRACED BY	CHECKED BY



PLAN WITH TOP REMOVED

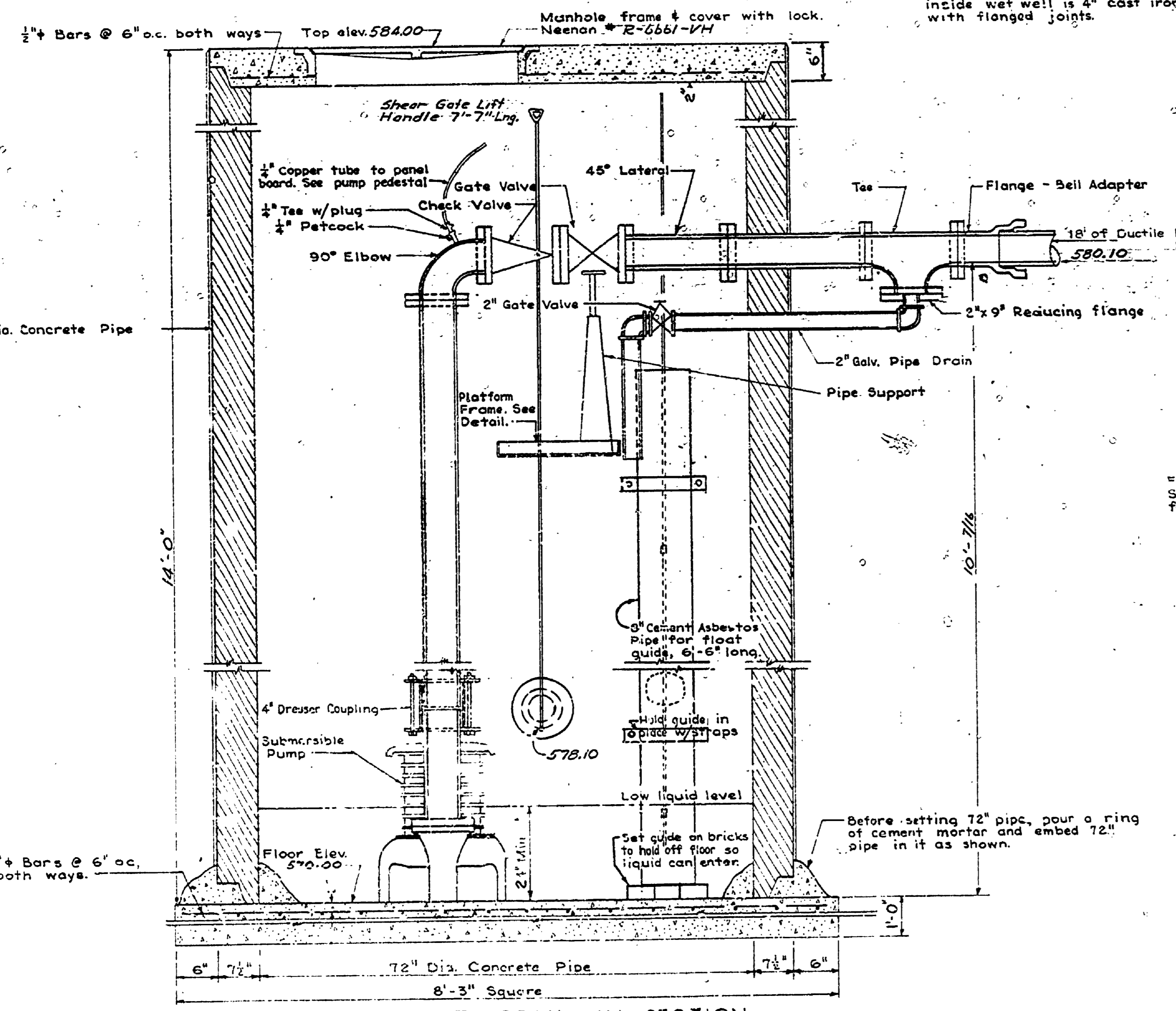


PLAN OF TOP

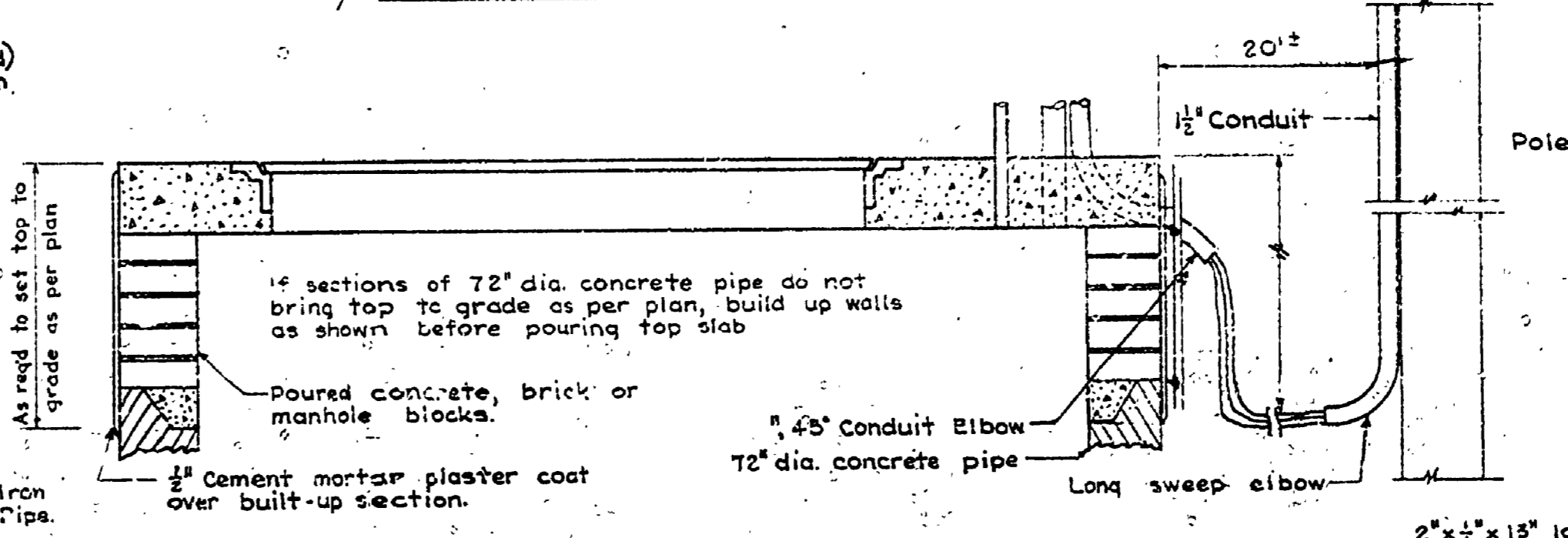


PLAN

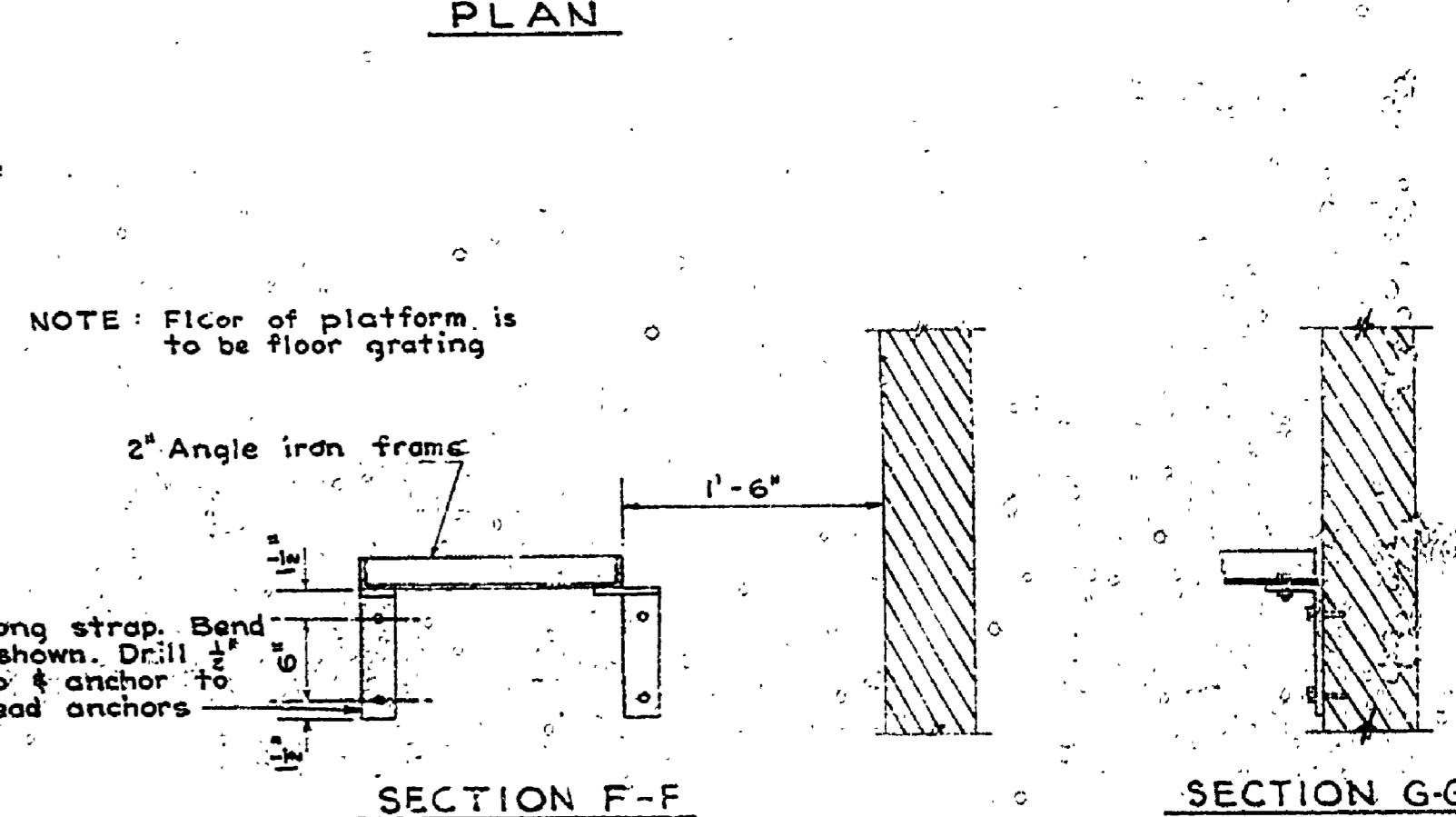
NOTE: All pipe (unless otherwise noted) inside wet well is 4\"/>



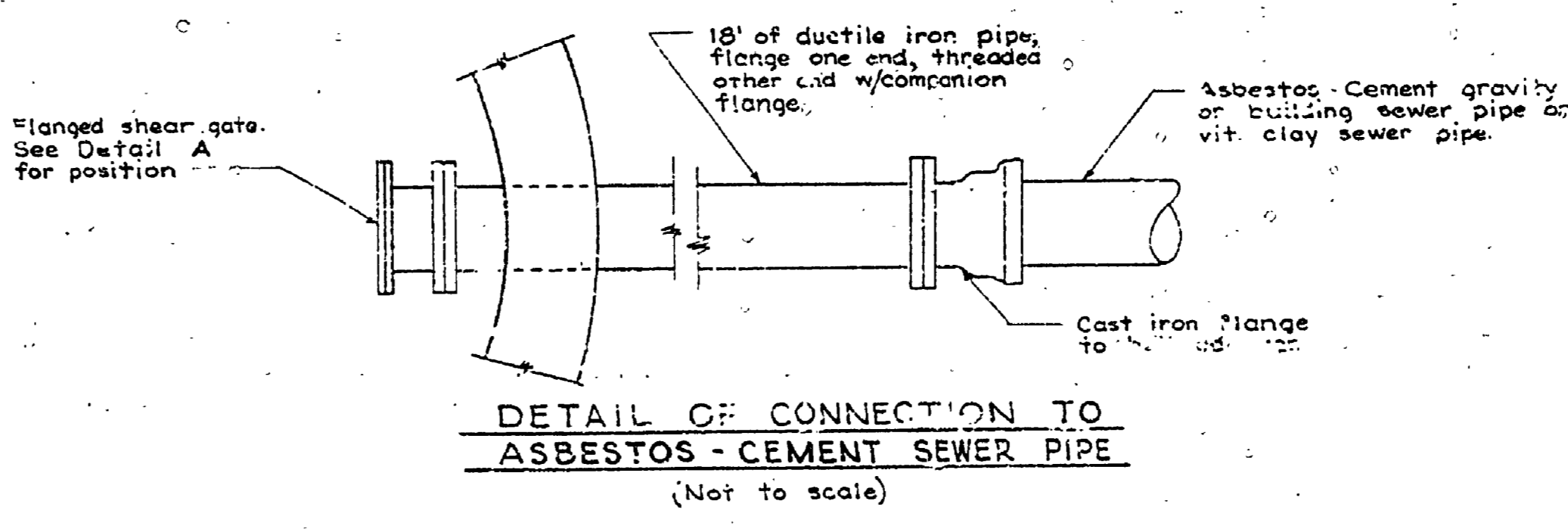
SECTION C-C WITH DRAIN IN SECTION



SECTION D-D

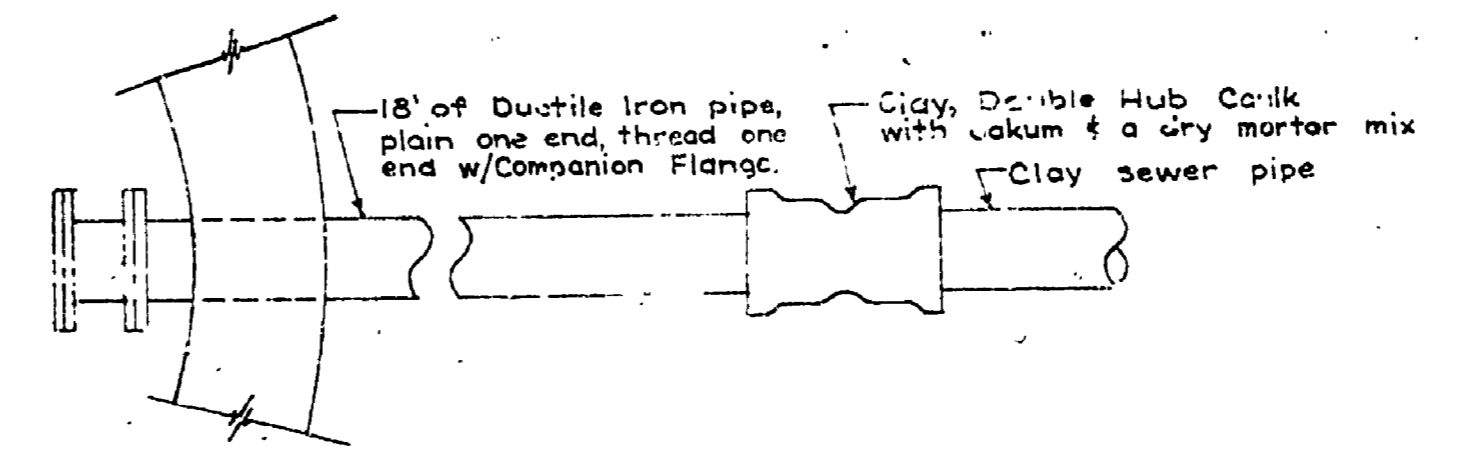


PLATFORM DETAILS

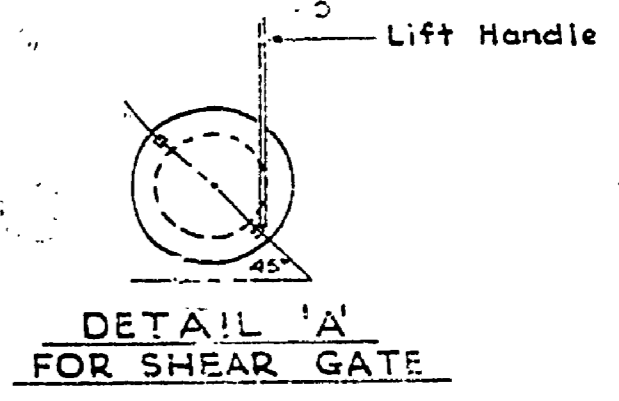


DETAIL OF CONNECTION TO ASBESTOS-CEMENT SEWER PIPE

(Not to scale)



DETAIL OF CONNECTION TO CLAY SEWER PIPE



DETAIL 'A' FOR SHEAR GATE

WET WELL AND PUMP STATION

MICHIGAN DEPARTMENT OF CONSERVATION

MUSKEGON STATE PARK CAMPGROUND DEVELOPMENT SEWAGE SYSTEM

SHEET NO. 3 OF 4 PLAN NO. E-114