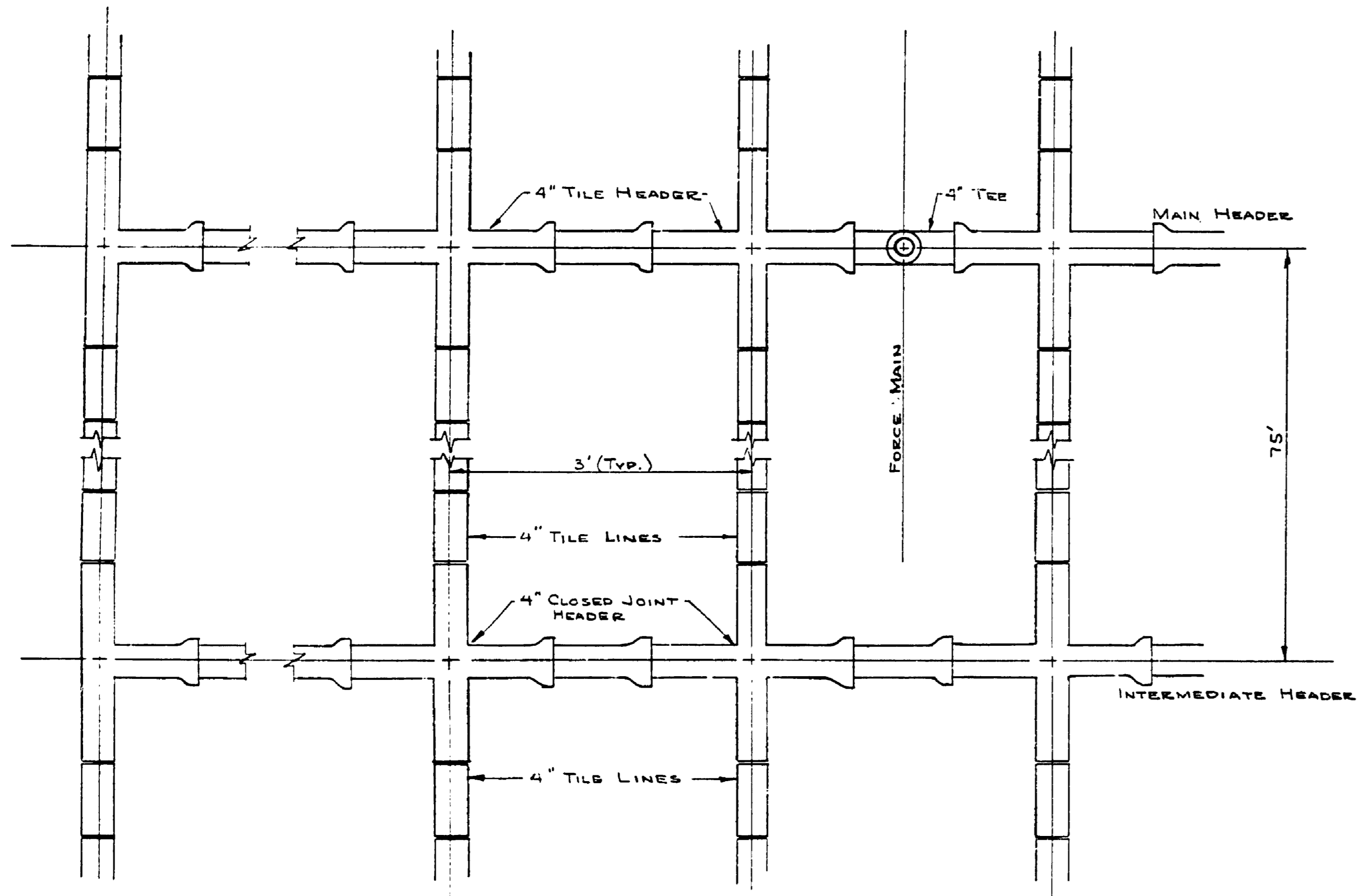
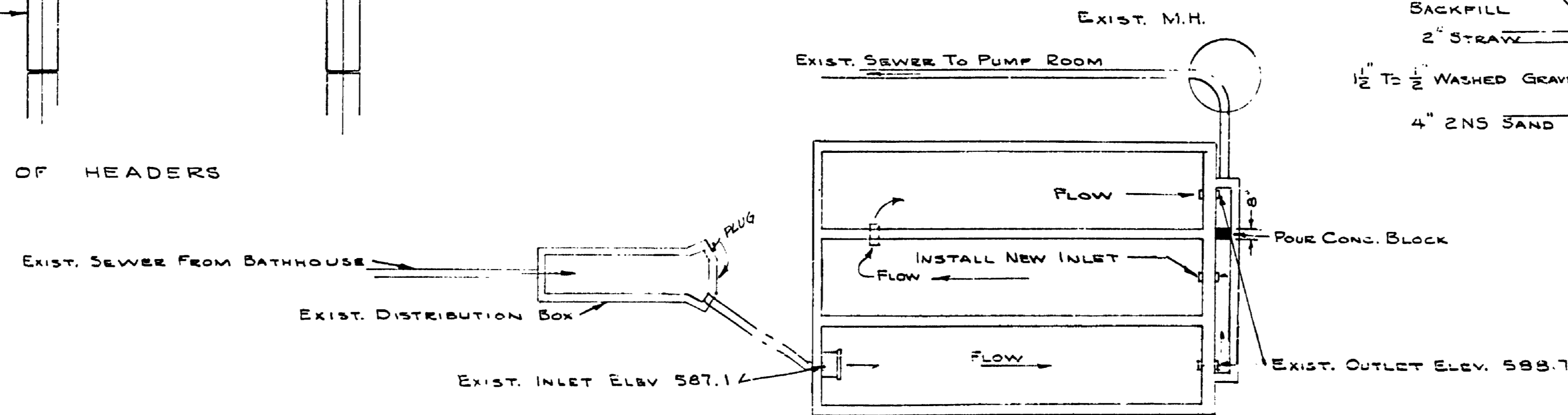


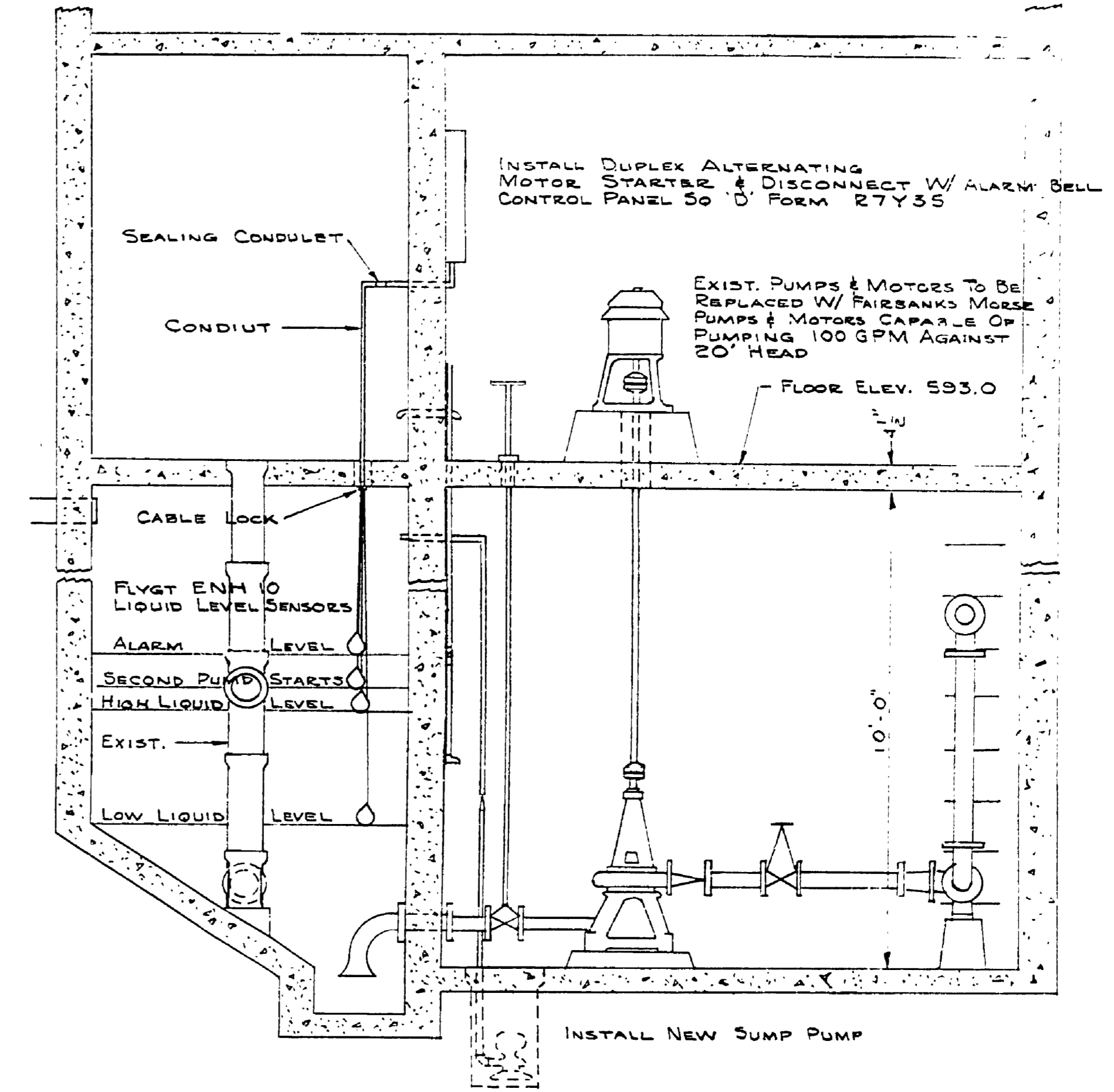
ELEV. DETAIL MAIN HEADER & FORCE MAIN CONNECTION



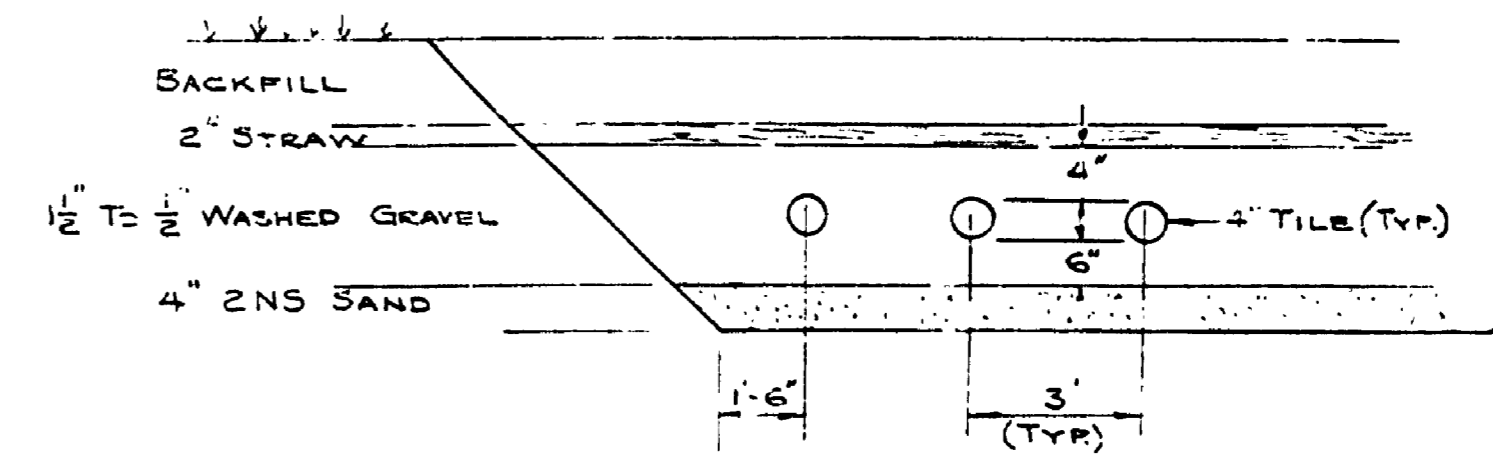
TYP. PLAN DETAIL OF HEADERS



PLAN OF SEPTIC TANK MODIFICATIONS



SECTION EXISTING PUMP ROOM



TYP. SECTION TILE FIELD

RE-MICROFILM

| | | | | | | | | | | |
|--------------------------|------------------|------------|------------------|--------------------|-------------|-----------|--|-------------------------|--|---------------------|
| SURVEYED BY | DRAWN BY J. YPMA | 7-72 | NO. DATE BY | REVISIONS | NO. DATE BY | REVISIONS | MICHIGAN DEPARTMENT OF NATURAL RESOURCES | DETAILS SEWAGE REVISION | MUSKEGON STATE PARK AREA OR PARK | PROJECT NO. 24-1252 |
| DESIGNED BY R.H. MERRILL | 7-72 | CHECKED BY | 1. 11-14-72 J.N. | TILE FIELD REVISED | 3. | | | | BEACHHOUSE SEWAGE REVISIONS (DAY USE AREA) PROJECT | SHEET 2 OF 3 |
| DATE | | DATE | 2. 3-76 D.B. | As Built | 4. | | | | | PLAN NO. E-116 |