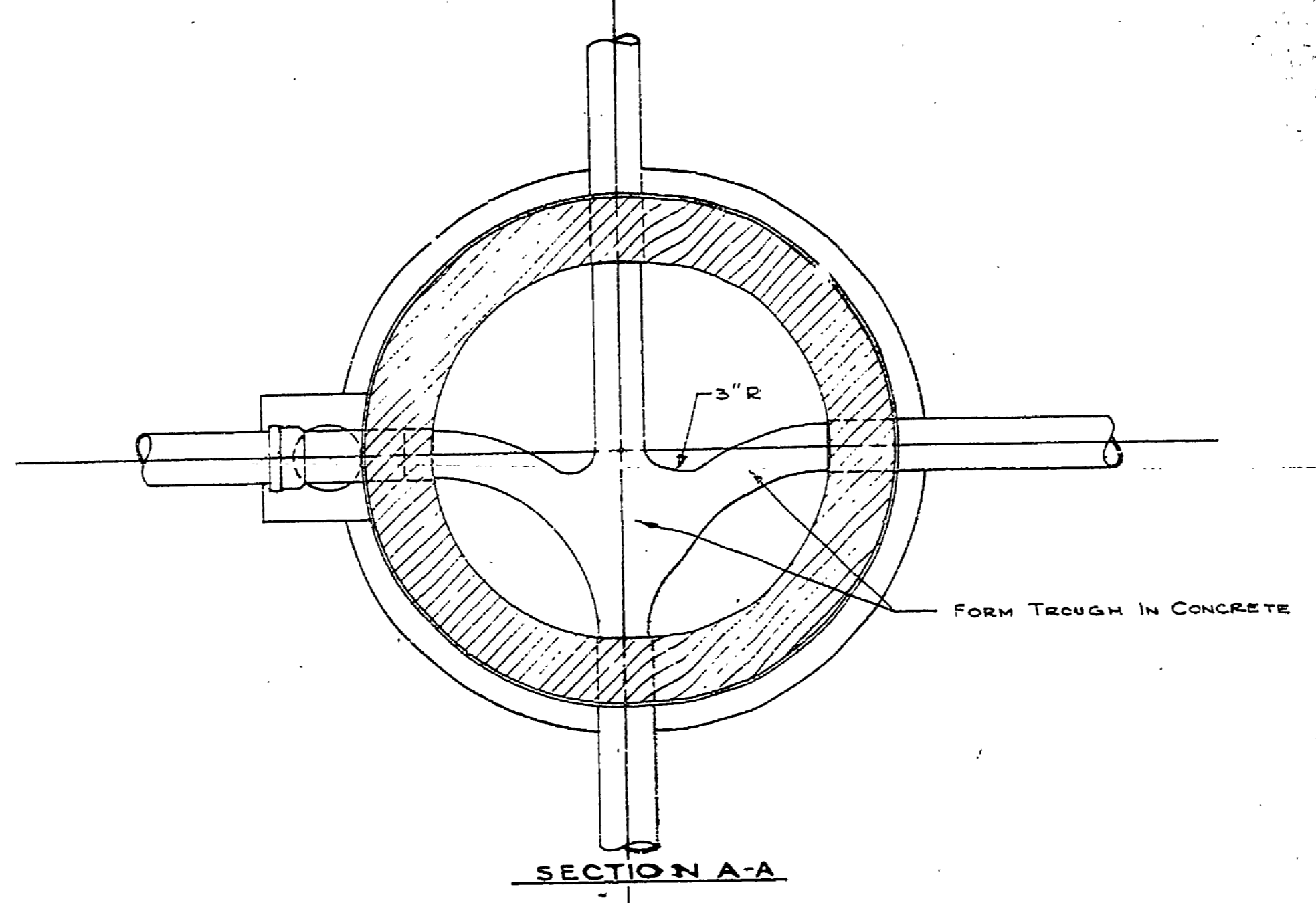
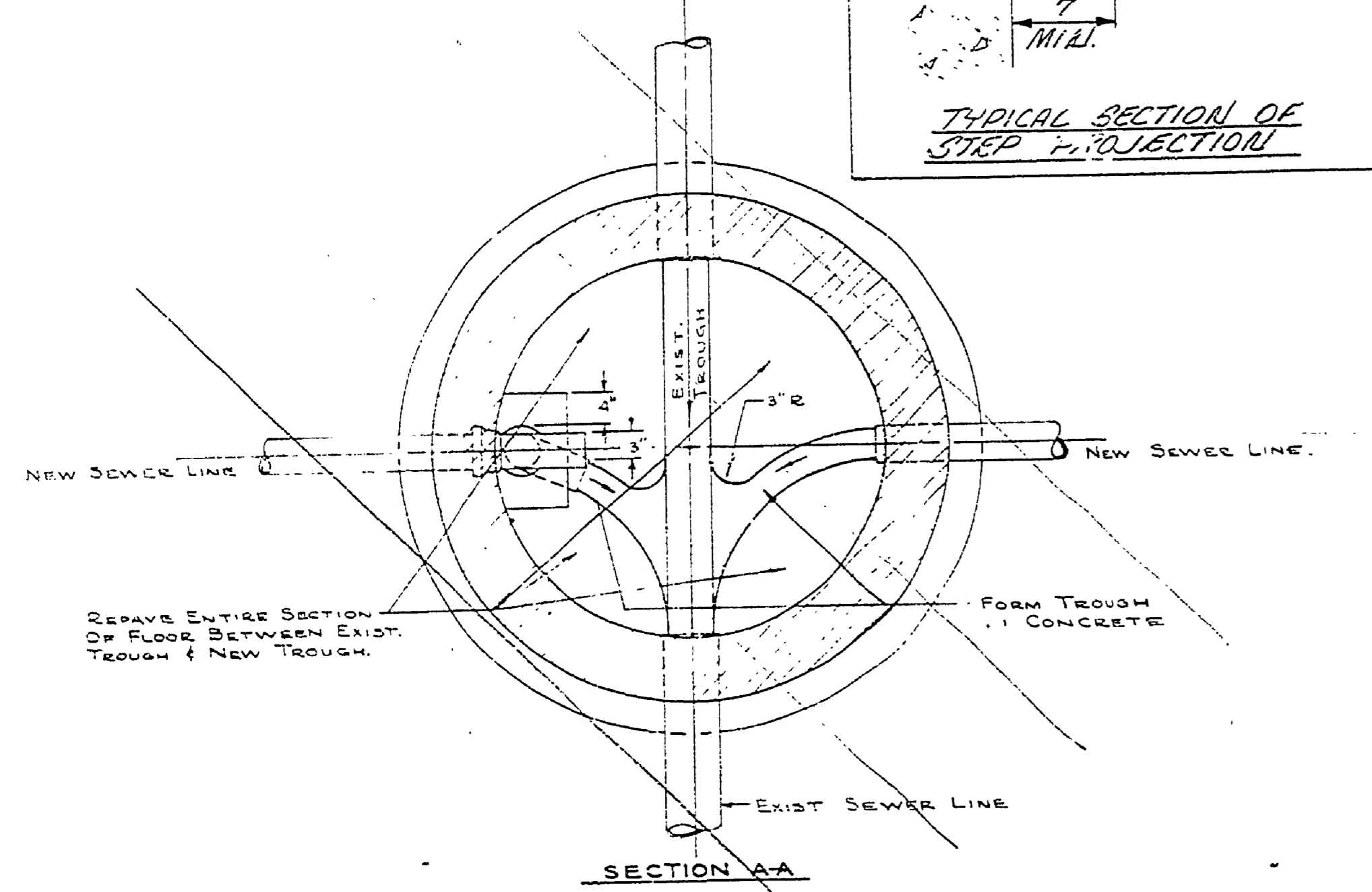
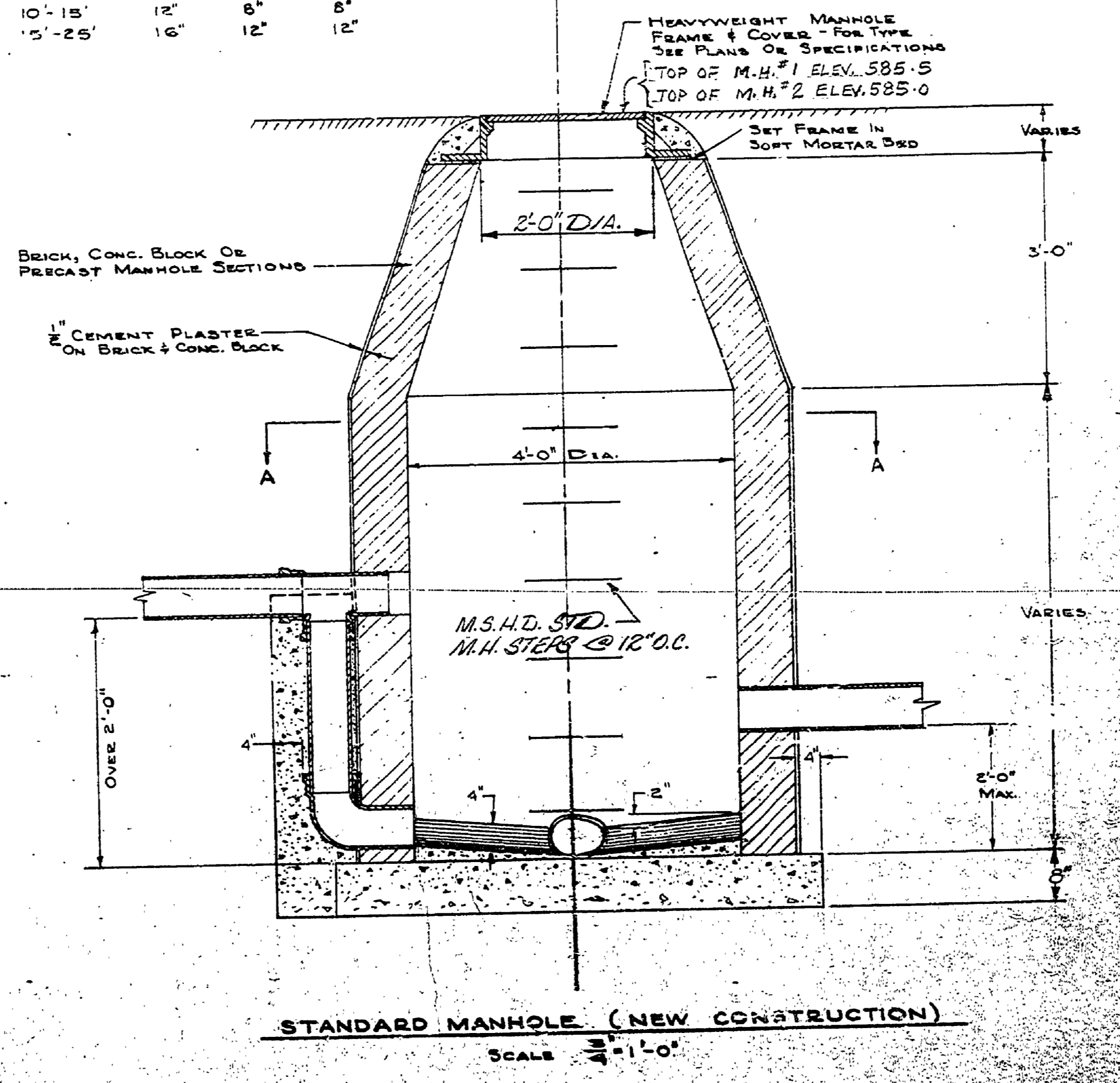
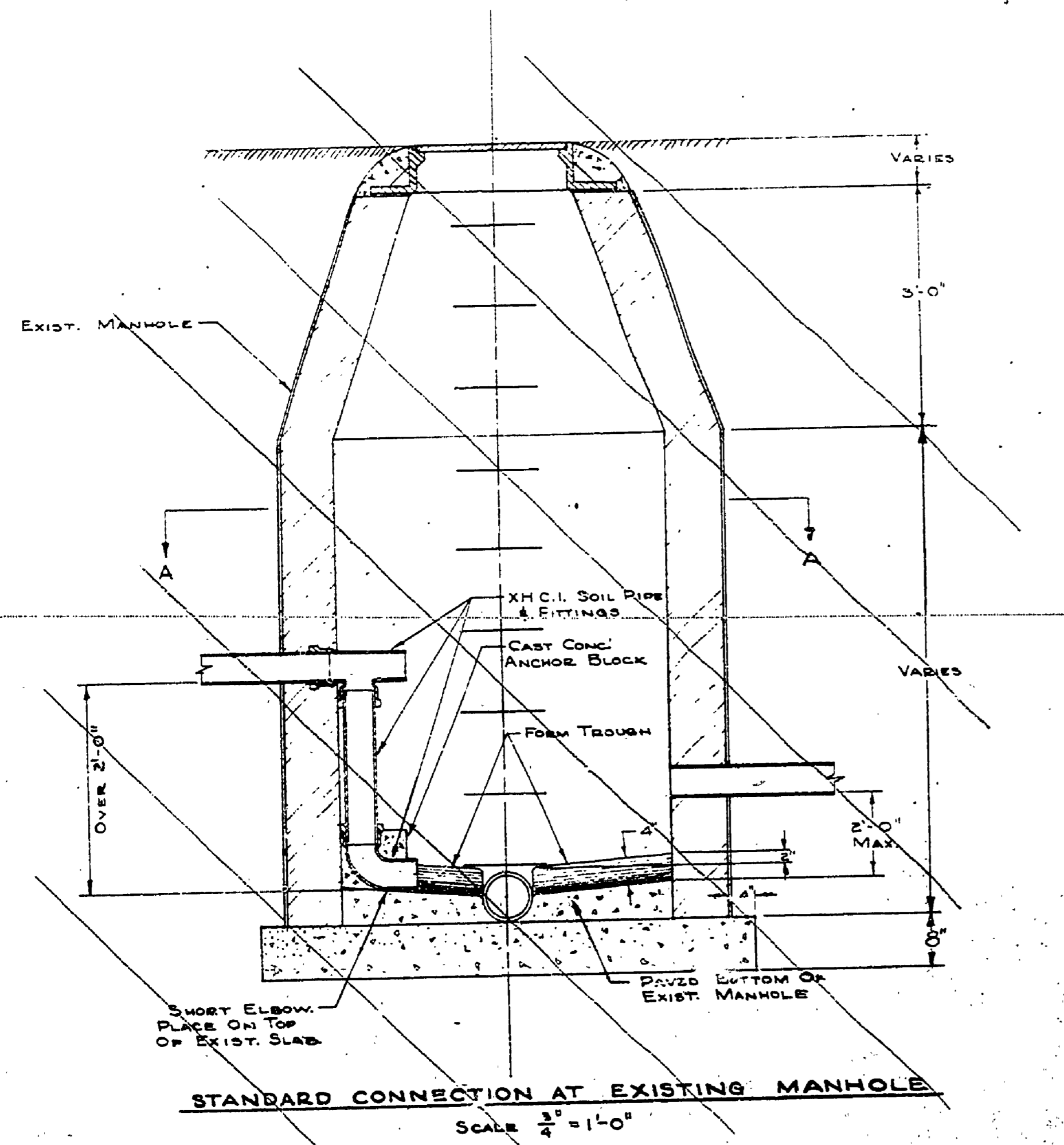


- NOTES**
- 1) TOP STEP TO BE 1'-0" BELOW TOP OF CASTING.
 - 2) CLEAR LENGTH OF STEPS SHALL BE 16" MIN.
 - 3) METAL STEPS SHALL BE 3/4" MIN. DIA. STEEL ROD OR EQUIVALENT MATERIAL.



MIN. WALL THICKNESS

M.H. DEPTH	BRICK	CONC. BLOCK	PRECAST CONC.
0'-10"	8"	6"	6"
10'-15"	12"	8"	8"
15'-25"	16"	12"	12"



SURVEYED BY	DRAWN BY	NO.	DATE	BY	REVISIONS	NO.	DATE	BY	REVISIONS
		1.				1.			
DESIGNED BY	CHECKED BY	2.				2.			
DATE	DATE								

MICHIGAN
DEPARTMENT OF NATURAL RESOURCES

STANDARD