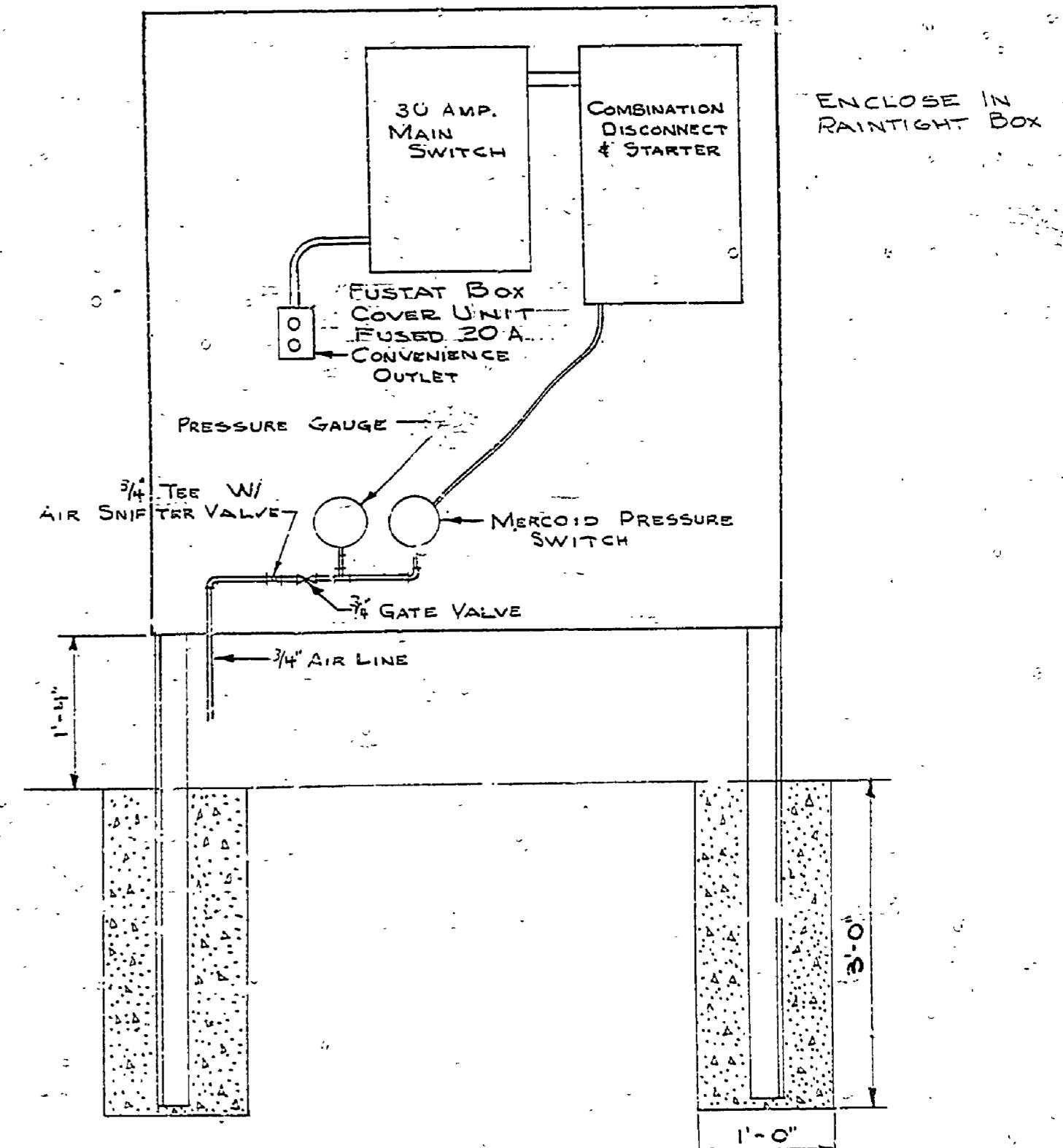
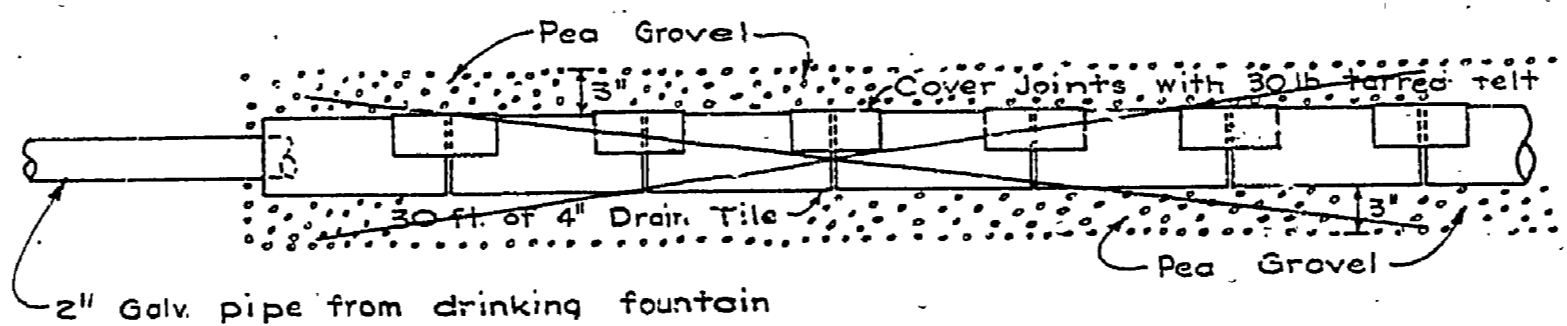
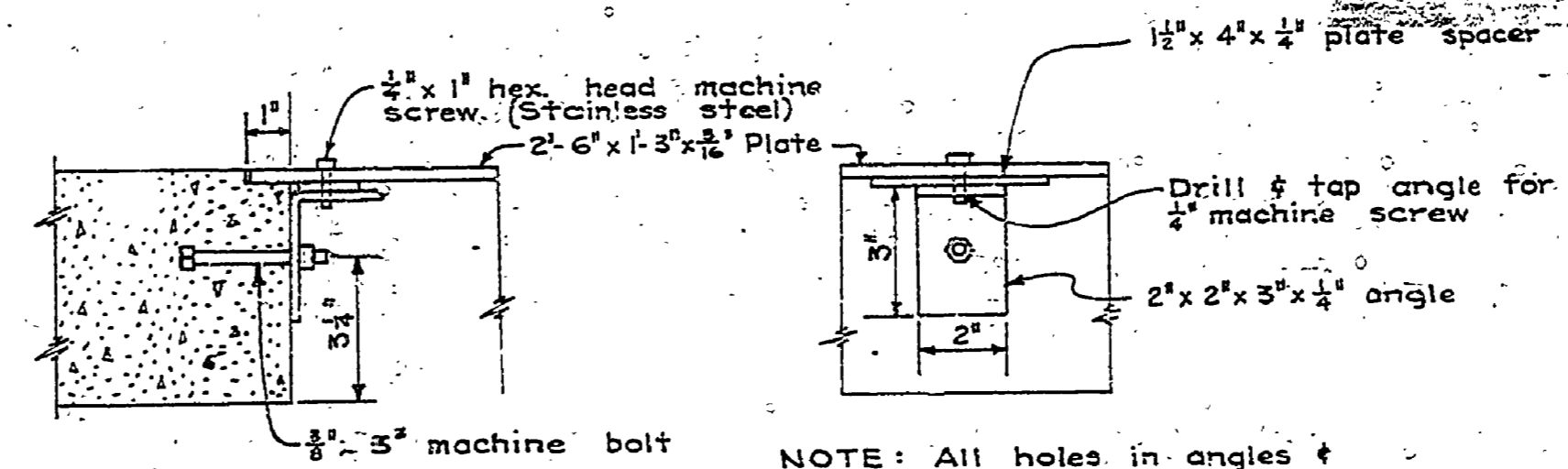


NOTE: Shut-off valve in service box. Open faucet on fountain and pump air through snifter valve for winter shut down.



SURVEYED BY		DRAWN BY COTE		Sept. '65	NO.	DATE	BY	REVISIONS		NO.	DATE	BY	REVISIONS		MICHIGAN DEPARTMENT OF CONSERVATION	DRINKING FOUNTAIN PLAN	SHEET NO. 6 OF 10	MUSKOGON STATE PARK CAMPGROUND DEVELOPMENT
DESIGNED BY BARKER		CHECKED BY W.H.E.		9-65	1.					3.					FOR PROJECT NO. PA 10,9,5124,330-231,2		SHEET 6 OF 10	PLAN NO. E-113
DATE		DATE		DATE	2.					4.								