

REVISIONS	DATE	BY
4		
5		
6		

NO.	DATE	BY
1		
2		
3		

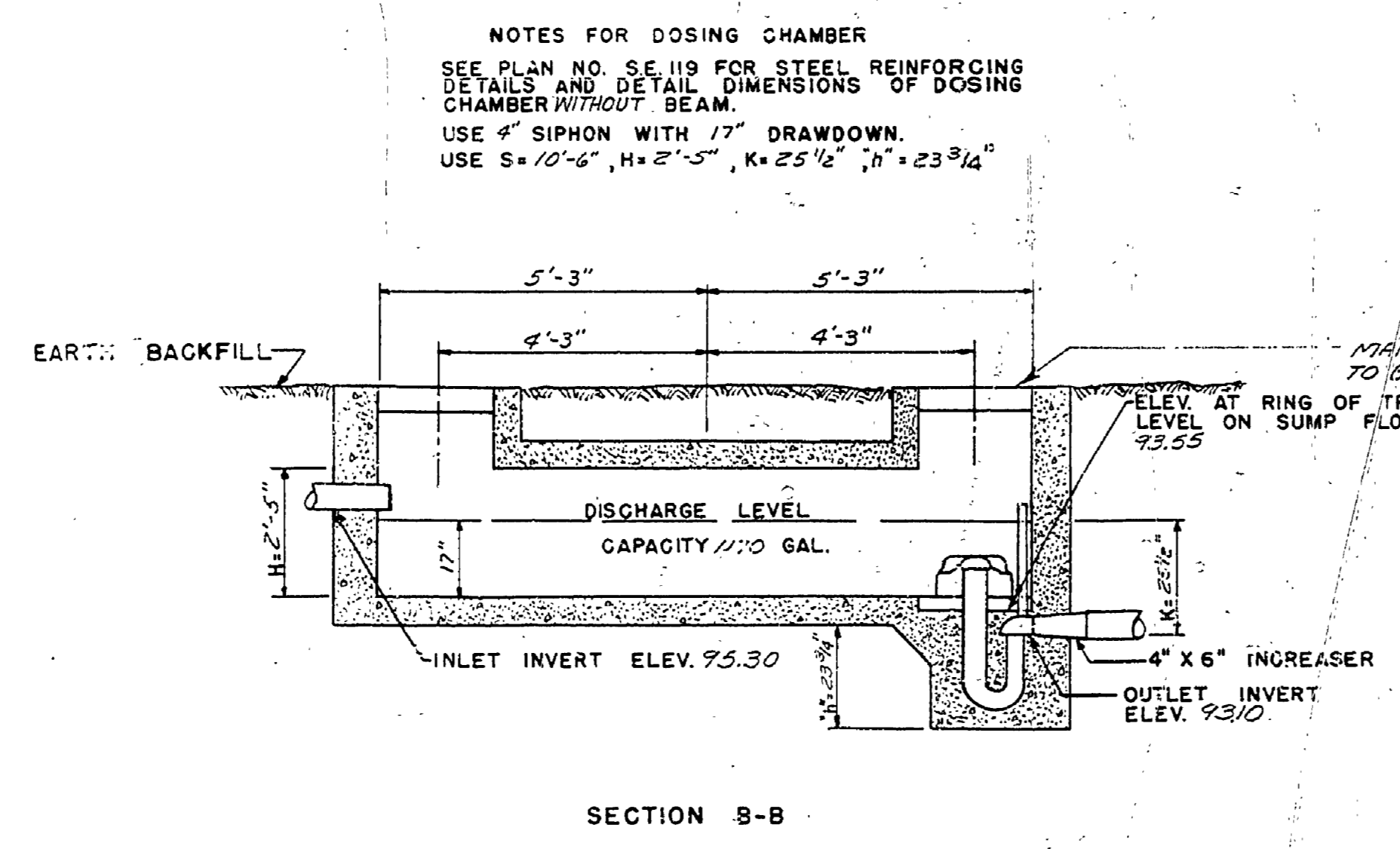
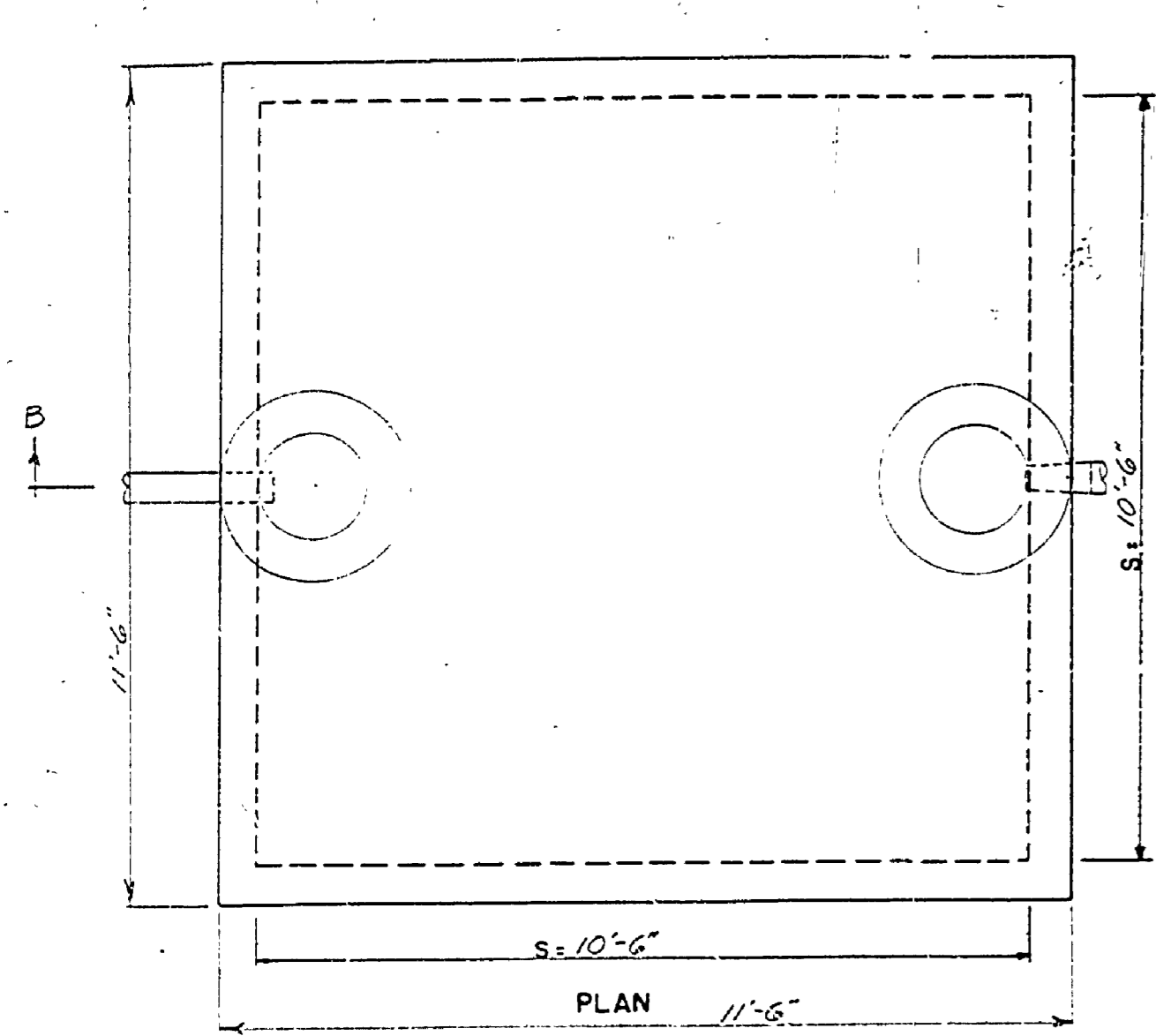
APPROVED BY	DATE	REVIEWED BY SECTIONS
<i>H.C. Macdonald</i>	11-5-56	ARCHITECTURAL
ASSISTANT CHIEF IN CHARGE	12-5-56	ENGINEERING
OF DESIGN	1-5-57	LANDSCAPE

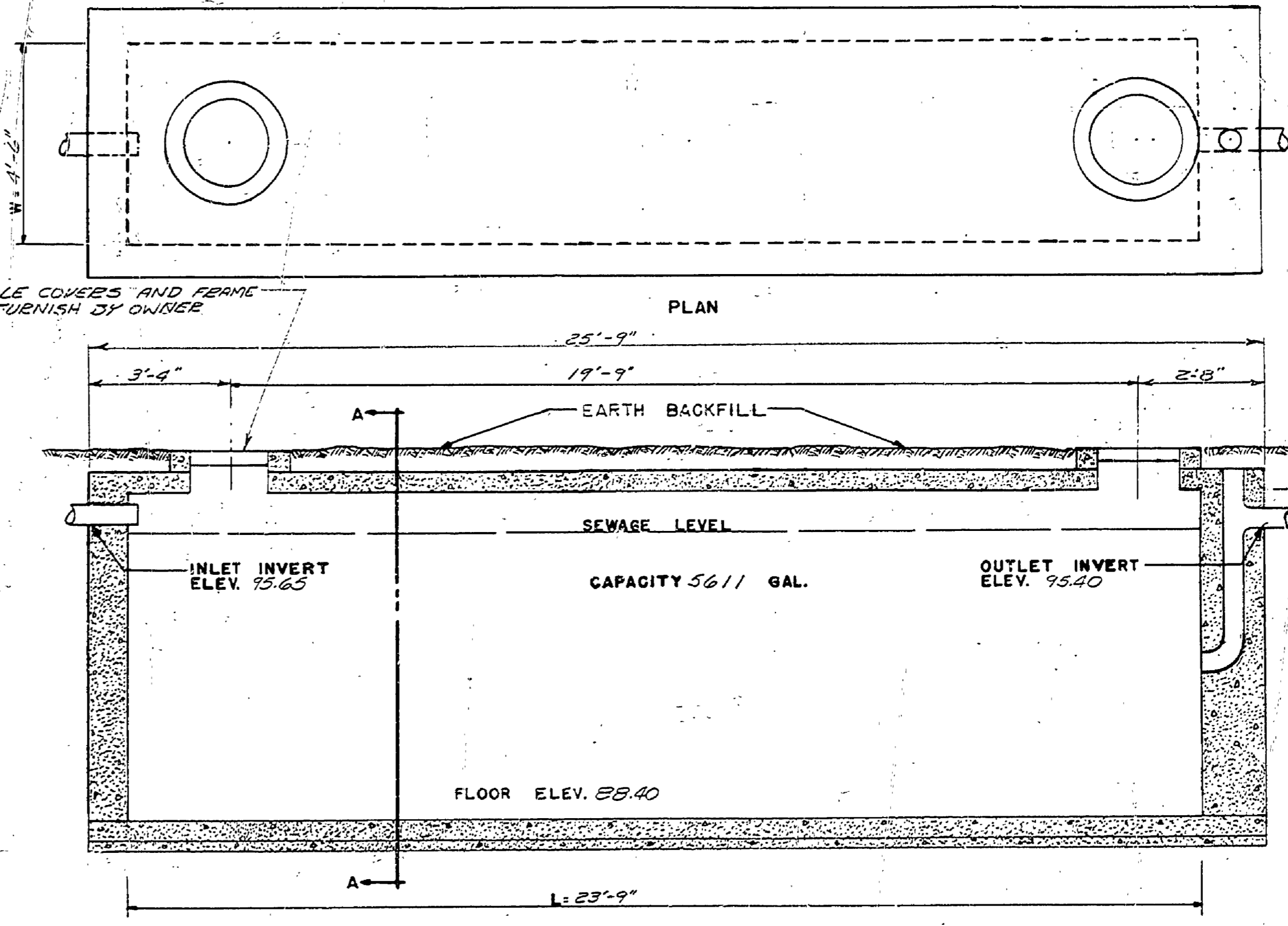
DRAWN BY	DATE
<i>E.C. Bennett</i>	Oct. 8, 1956

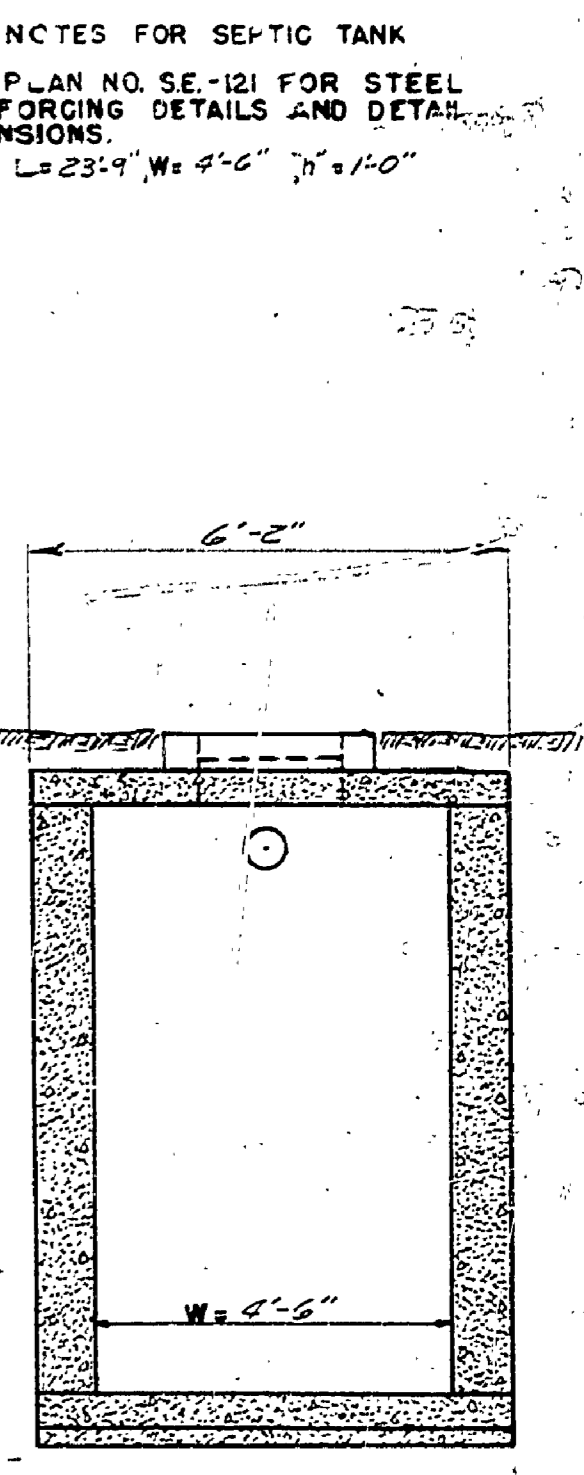
TRACED BY	CHECKED BY
<i>J.T.R.</i>	<i>J.T.R.</i>



DOSING CHAMBER  
NOT TO SCALE



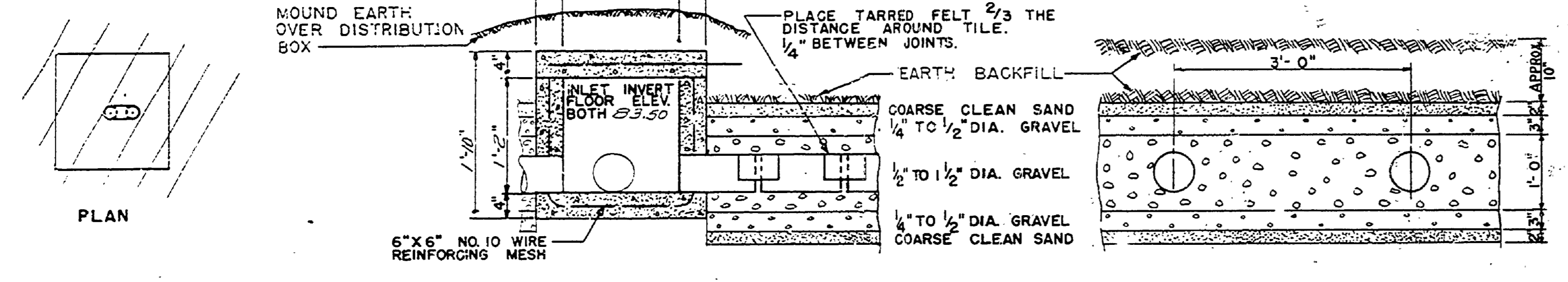
LONGITUDINAL SECTION  
SEPTIC TANK  
NOT TO SCALE



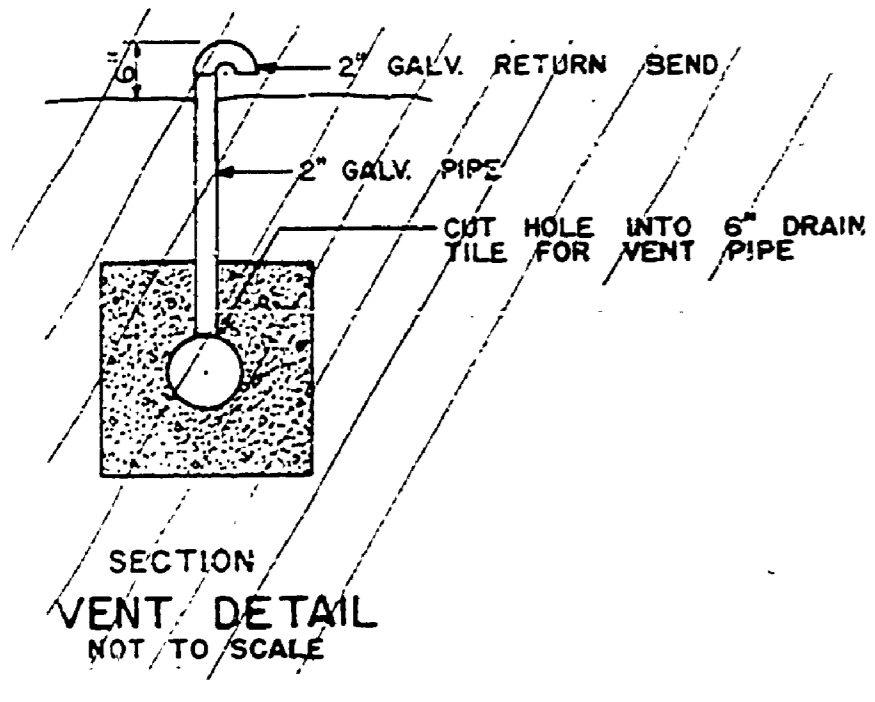
SECTION A-A

NOTES FOR DOSING CHAMBER  
SEE PLAN NO. SE-119 FOR STEEL REINFORCING DETAILS AND DETAIL DIMENSIONS OF DOSING CHAMBER WITHOUT BEAM.  
USE 4" SIPHON WITH 17" DRAWDOWN.  
USE S=10'-6", H=2'-5", K=25 1/2", D=23 3/4"

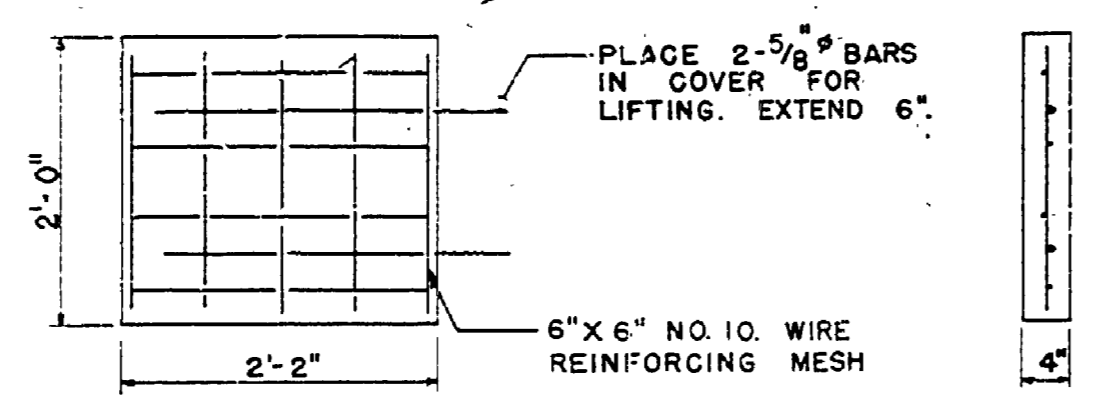
NOTES FOR SEPTIC TANK  
SEE PLAN NO. SE-121 FOR STEEL REINFORCING DETAILS AND DETAIL DIMENSIONS.  
USE L=23'-9", W=4'-6", H=1'-0"



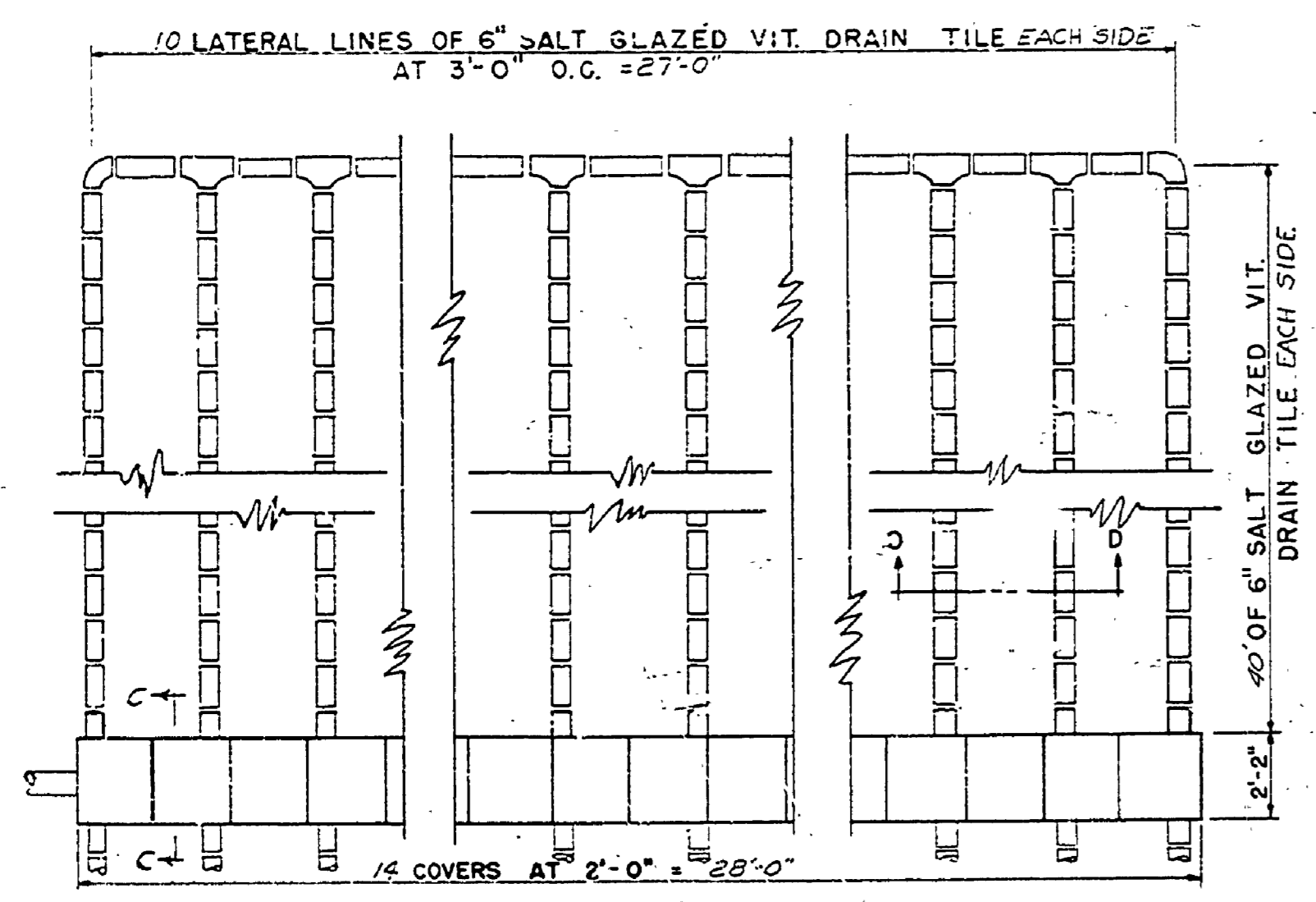
ELEVATION OF DISPOSAL FIELD  
NOT TO SCALE



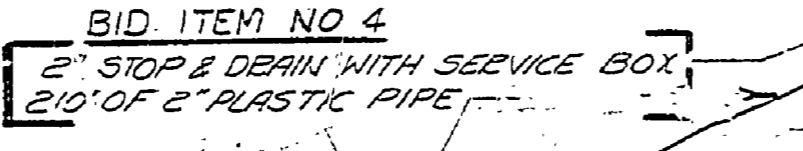
SECTION VENT DETAIL  
NOT TO SCALE



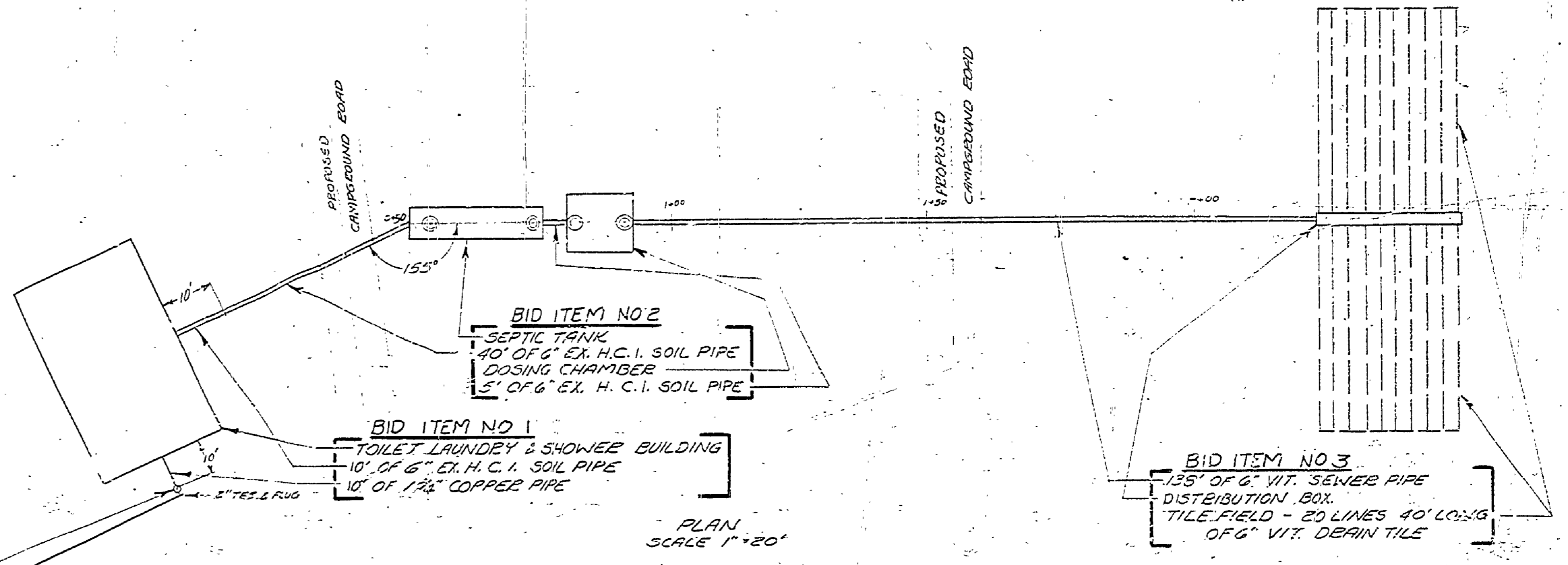
DISTRIBUTION BOX COVER  
NOT TO SCALE



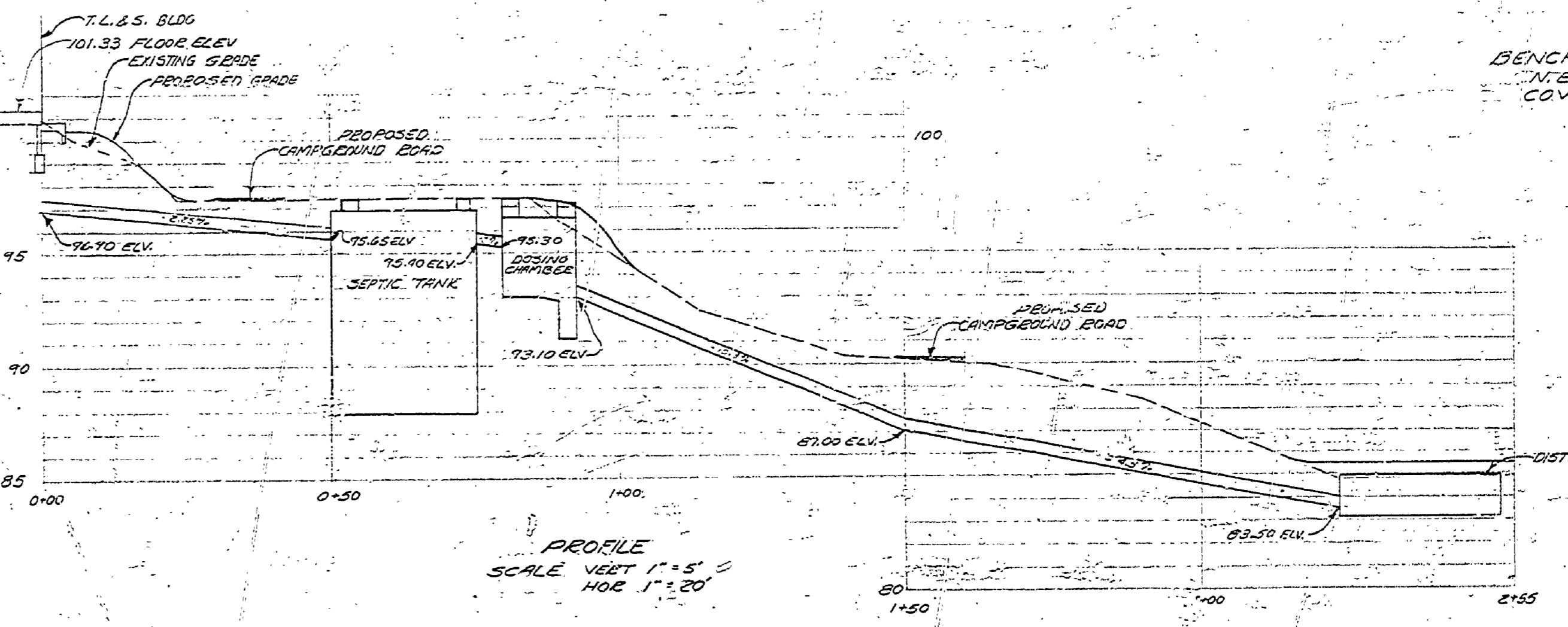
PLAN DISPOSAL FIELD  
NOT TO SCALE



BID ITEM NO 4  
2" STOP & DRAIN WITH SERVICE BOX  
210' OF 2" PLASTIC PIPE



PLAN SCALE 1"=20'



PROFILE SCALE VERT 1"=5' HOR 1"=20'

BENCH MARK 100' ELEV  
N/E CORNER OF VALVE BOX 50' W. OF COVERED WELL PLATFORM

Sheets 2 & 3 Are SE 119 & SE 121