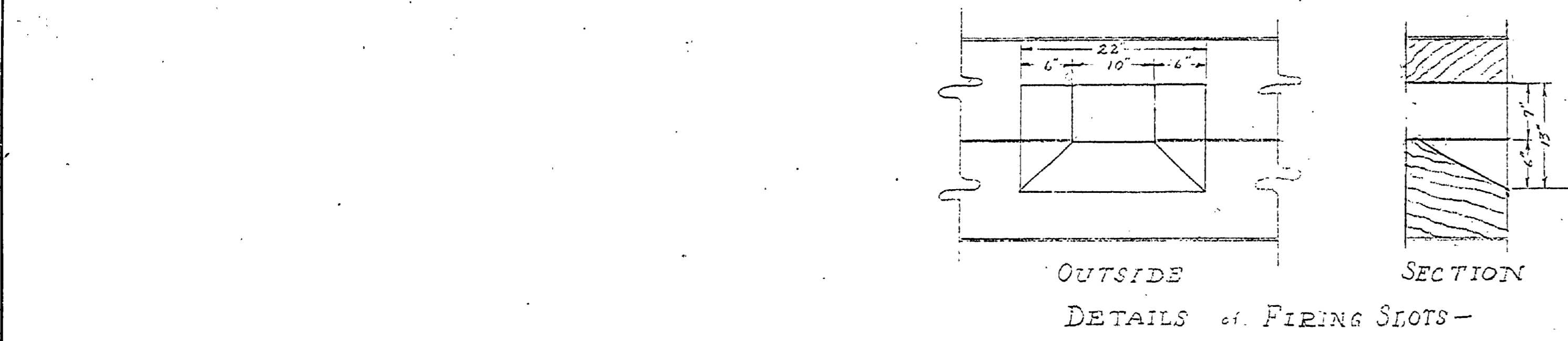
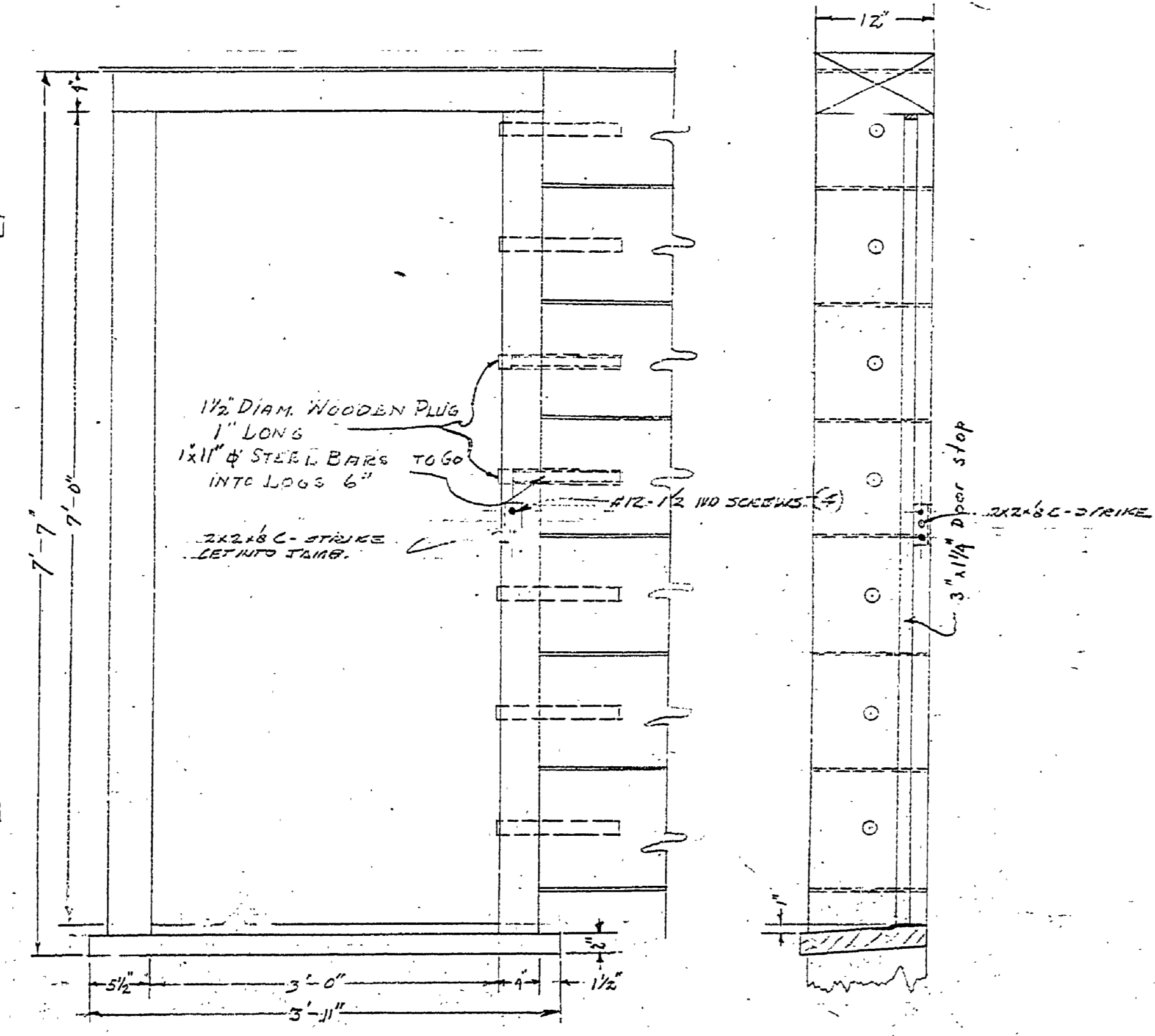
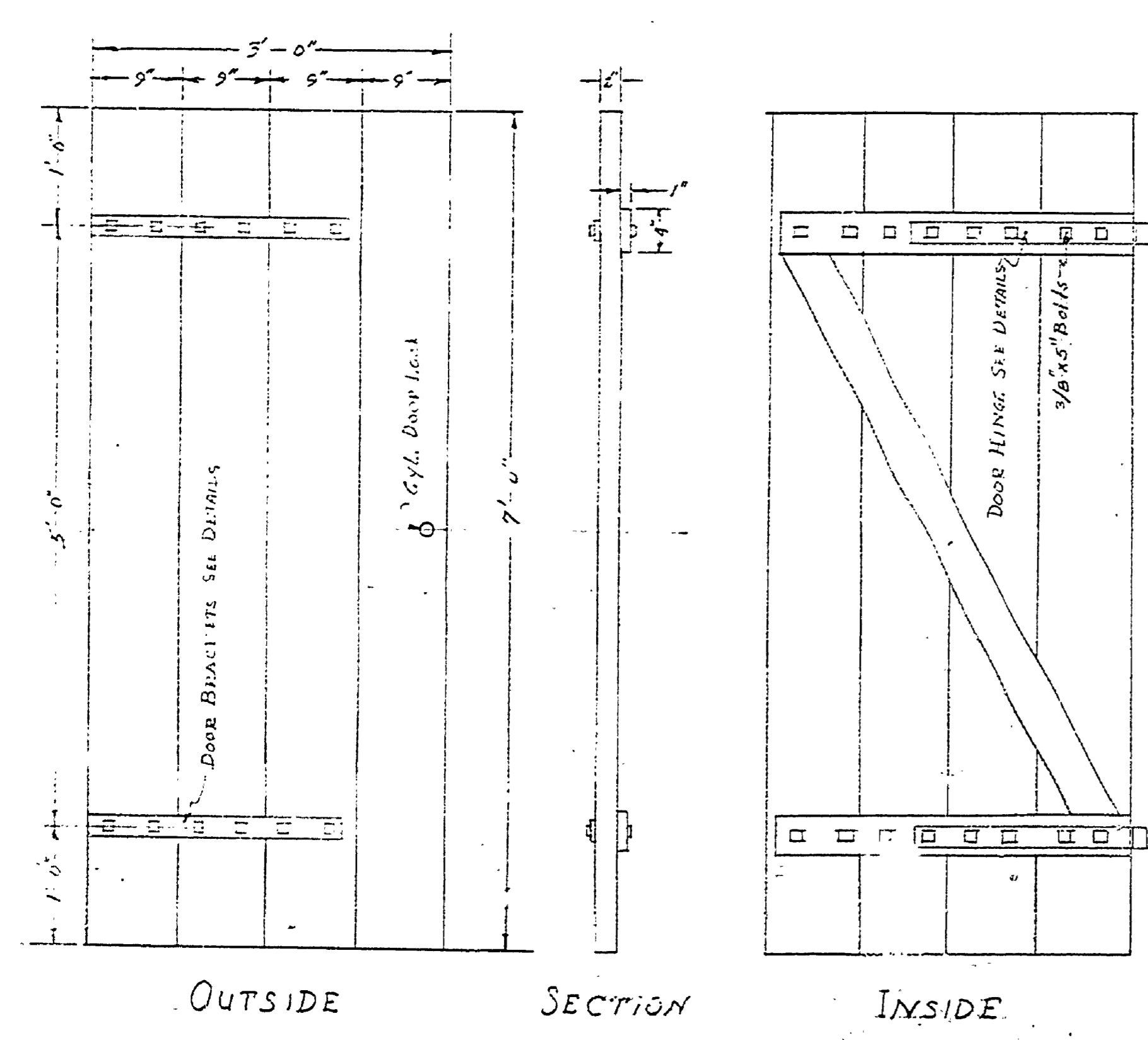
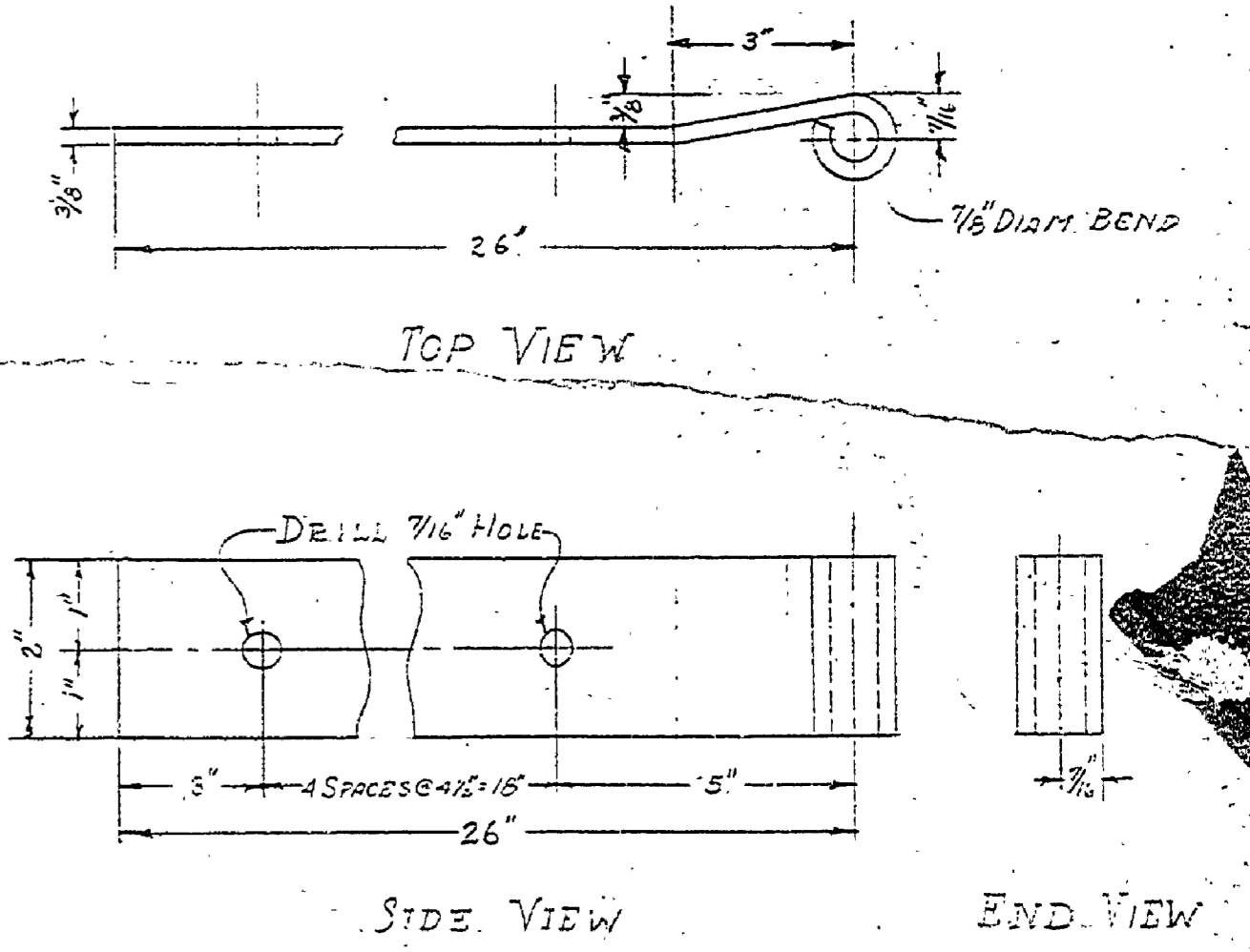
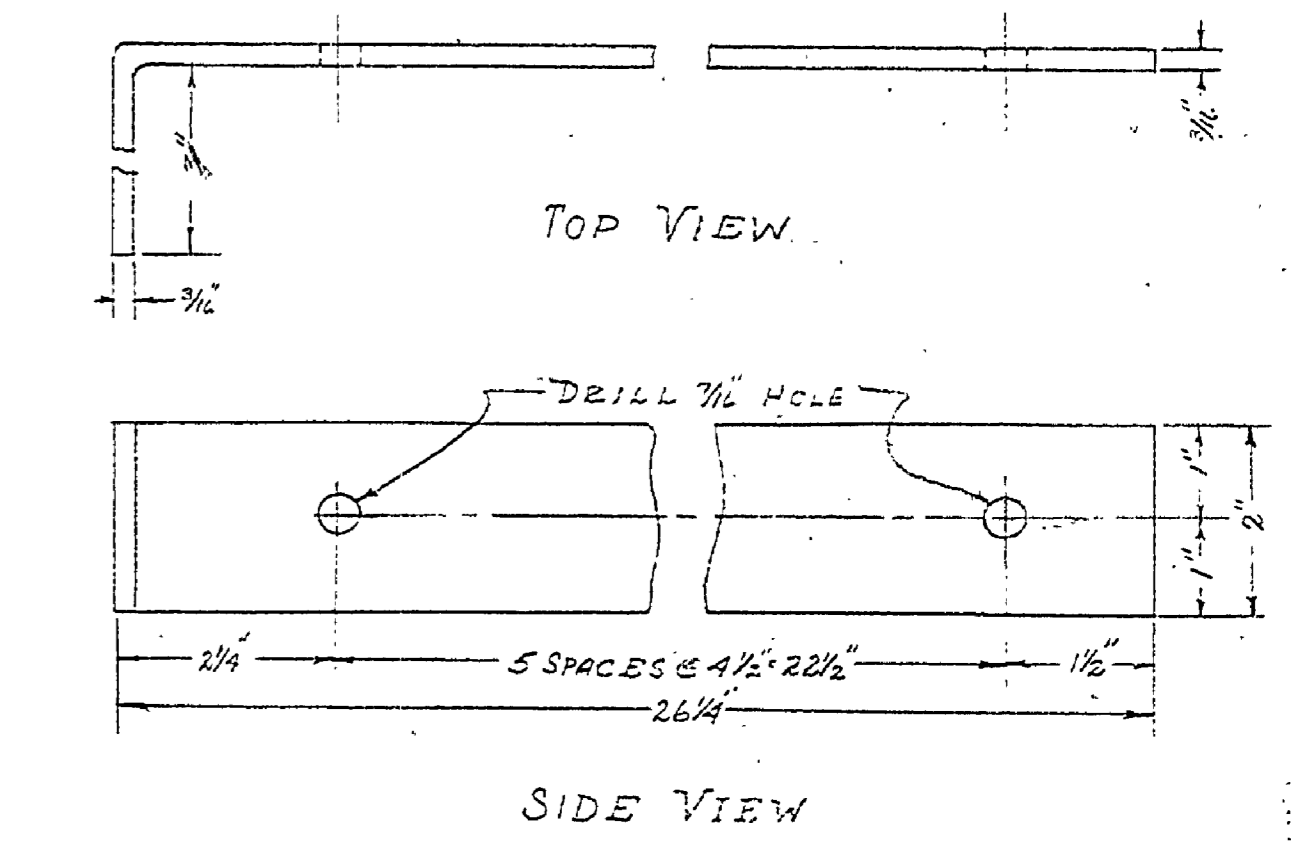
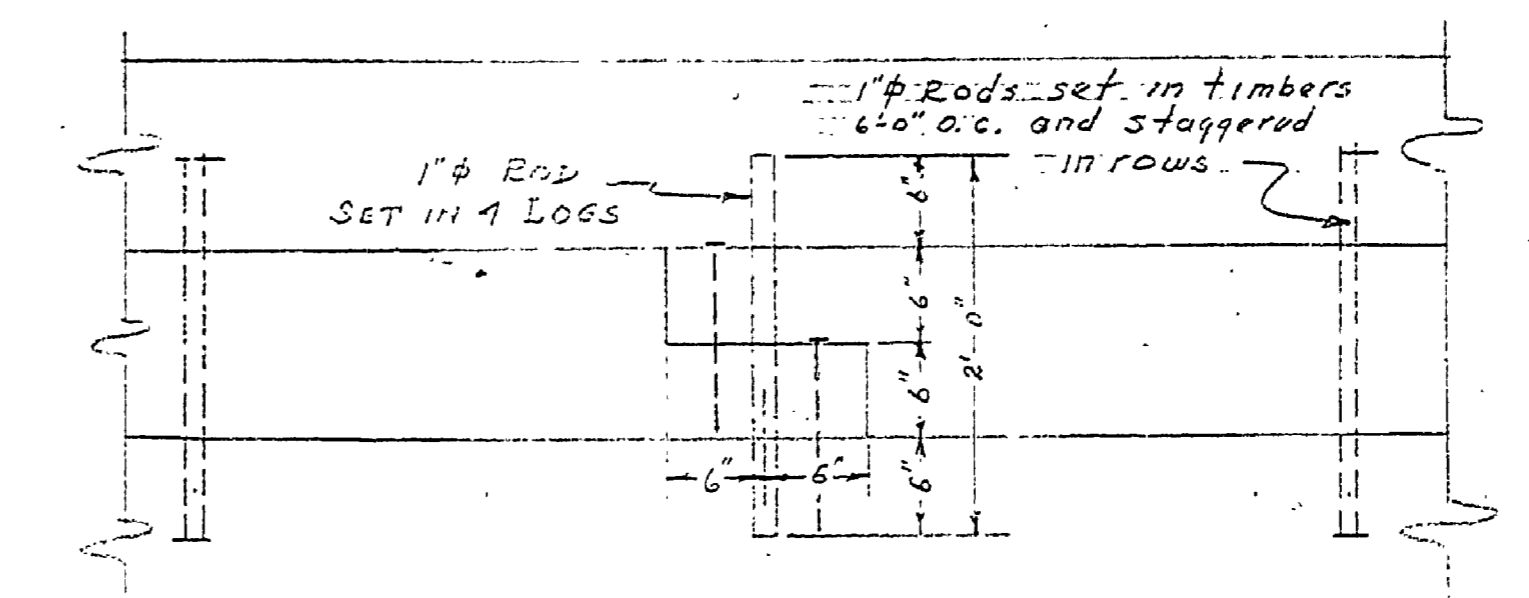
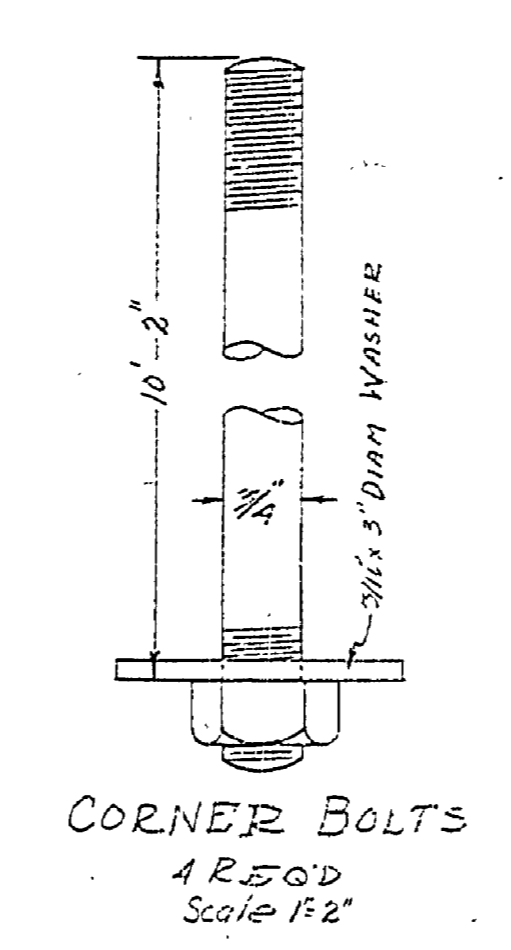
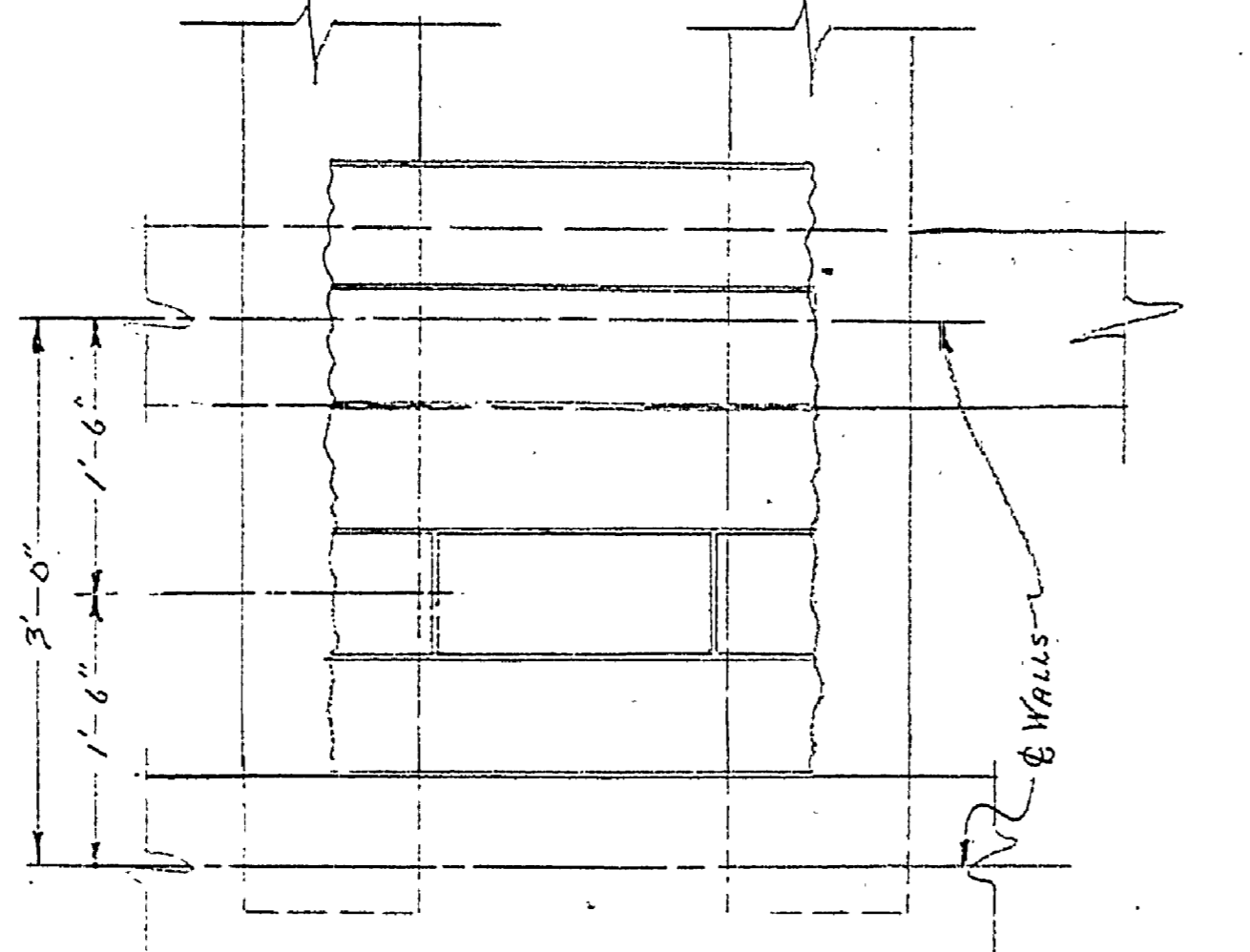
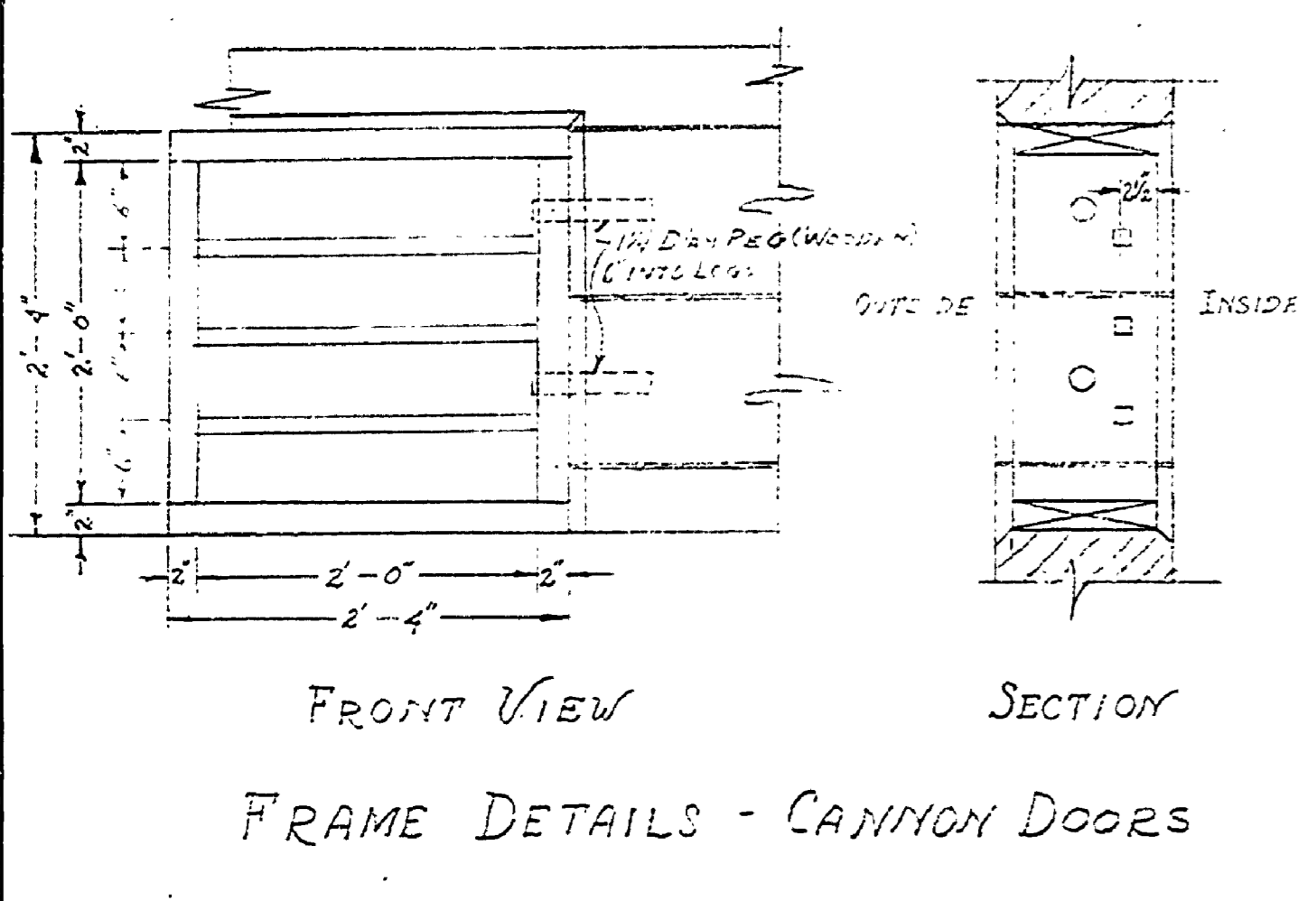
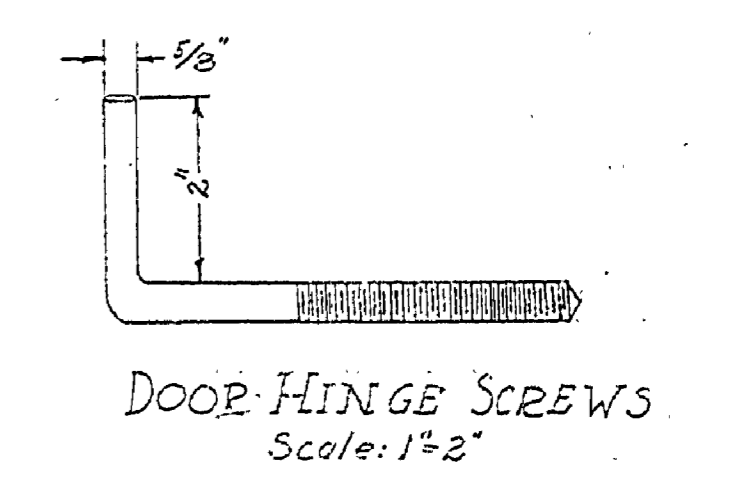
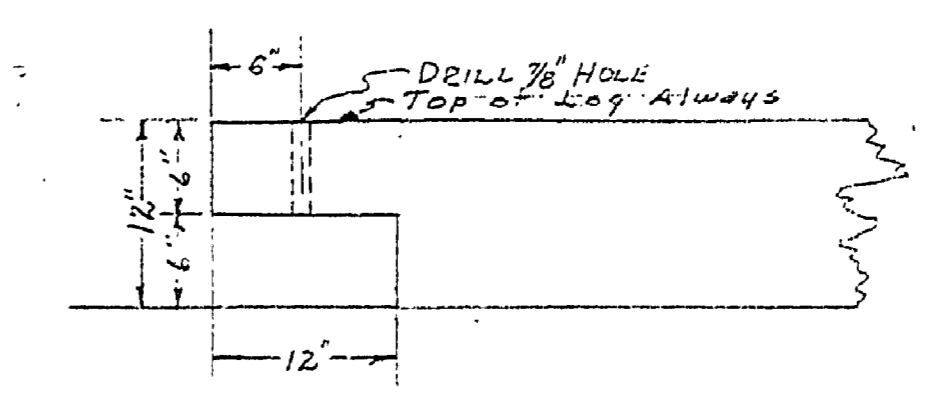
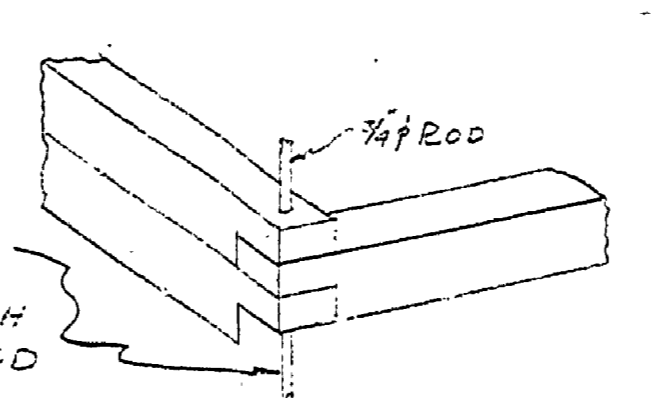


DATE	REVISIONS		
DATE	NO.	DATE	BY
1/1/23	1	1/1/23	J.P.C.
2/1/23	2	2/1/23	J.P.C.
3/1/23	3	3/1/23	J.P.C.
4/1/23	4	4/1/23	J.P.C.
5/1/23	5	5/1/23	J.P.C.
6/1/23	6	6/1/23	J.P.C.



FIRST FLOOR CORNERS TO BE TIED DOWN THROUGHLY USING SHIRT BOLTS

SECOND FLOOR 3/4" ROD TO GO THROUGH SILL & JOISTS & BOLTED



Insurance No. 26

Drawn by: H.C.M.	Revised: 11-23-28 H.C.M.	SHEET
Checked by:	2-18-35 H.C.M.	4
Date: 11-1-32		

A-94

Muskegon