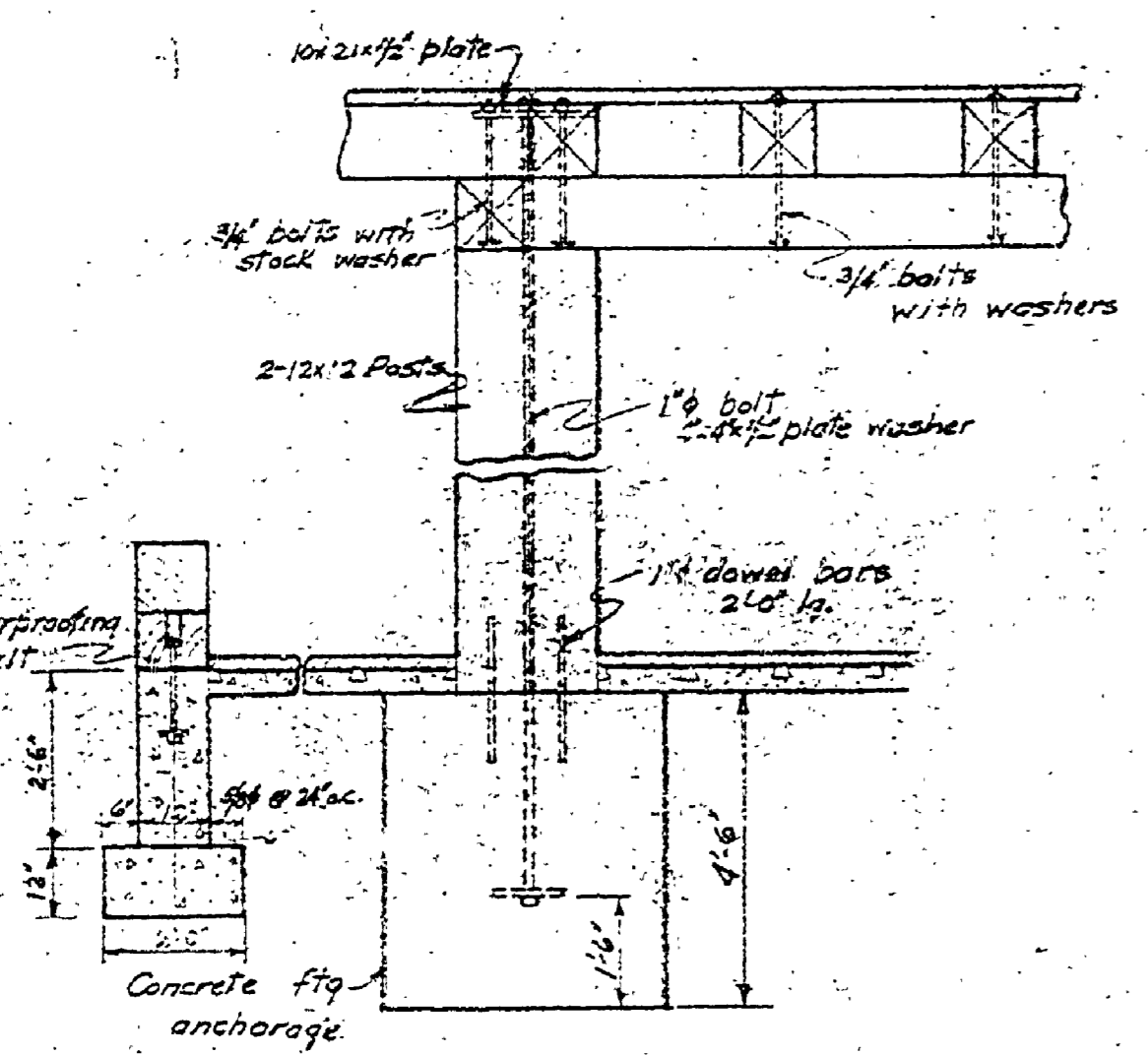
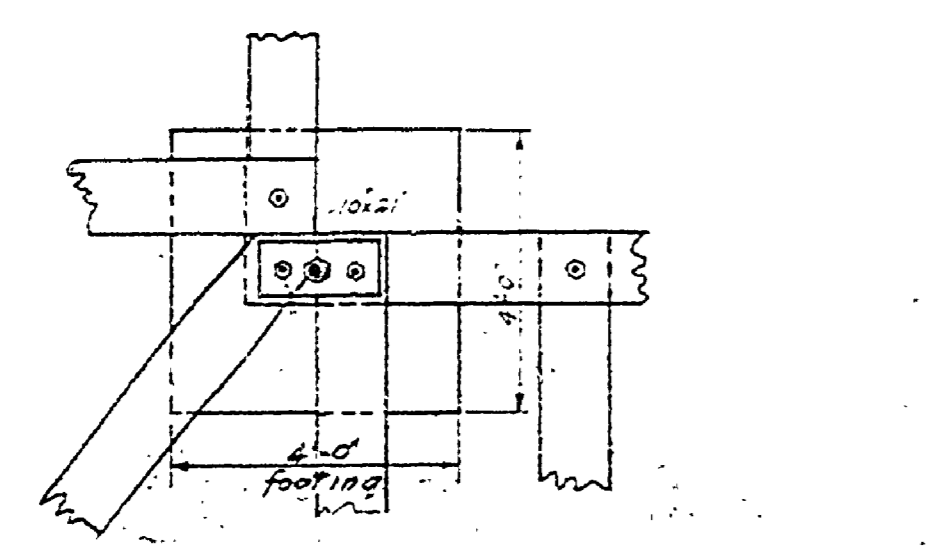
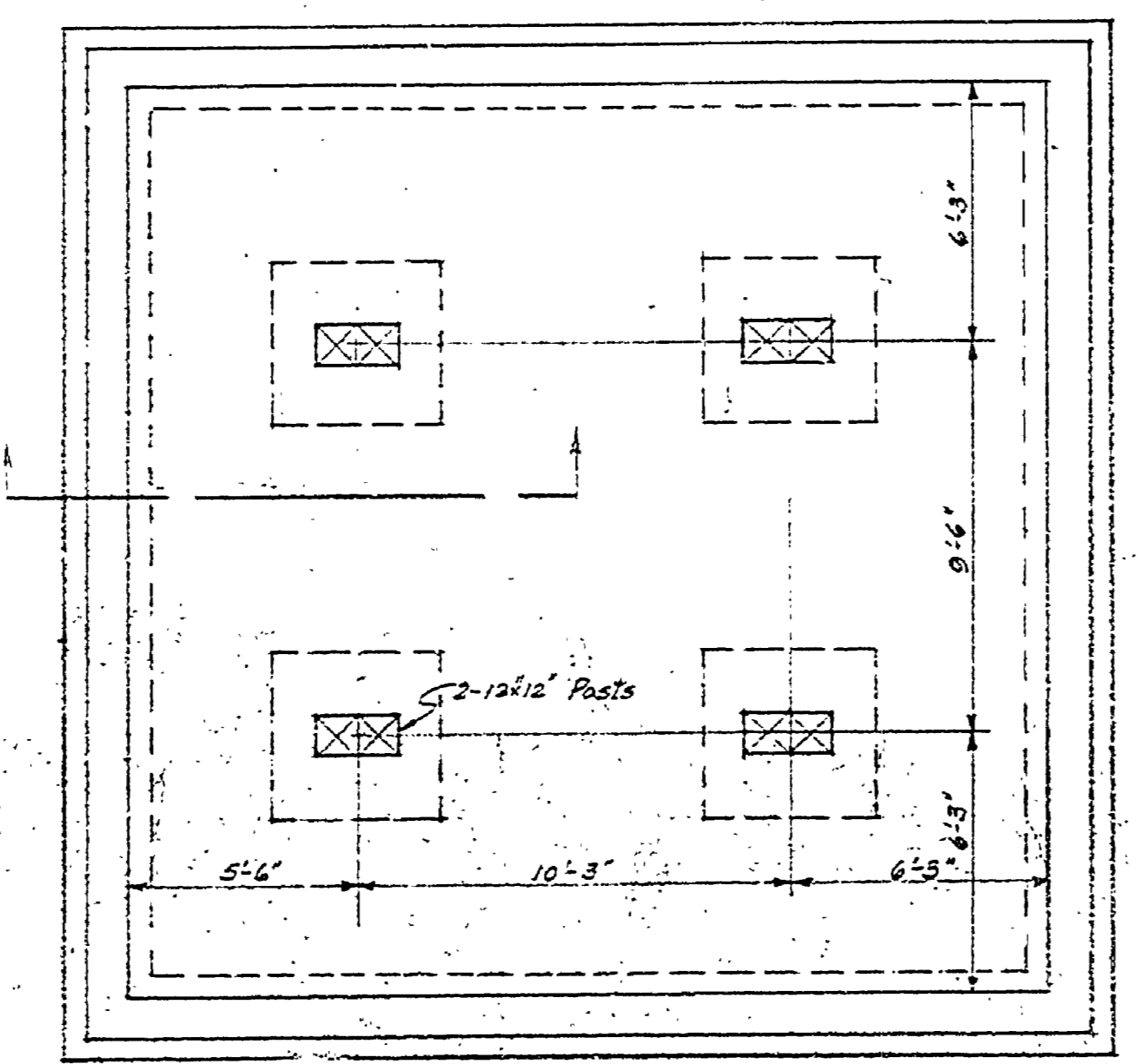


DESIGNED BY	DATE	REVIEWED	DATE	APPROVED	DATE	NO.	DATE	BY	REVISIONS	DATE	BY
DRAWN BY		ARCHITECTURAL				1			4		
CHECKED BY		ENGINEERING				2			5		
		LANDSCAPE				3	5/21/54		6		



DETAIL OF CORNER POST ANCHORAGE
Scale 3/8" = 1'-0"



FOUNDATION PLAN
Scale 1/2" = 1'-0"

155-38-C1