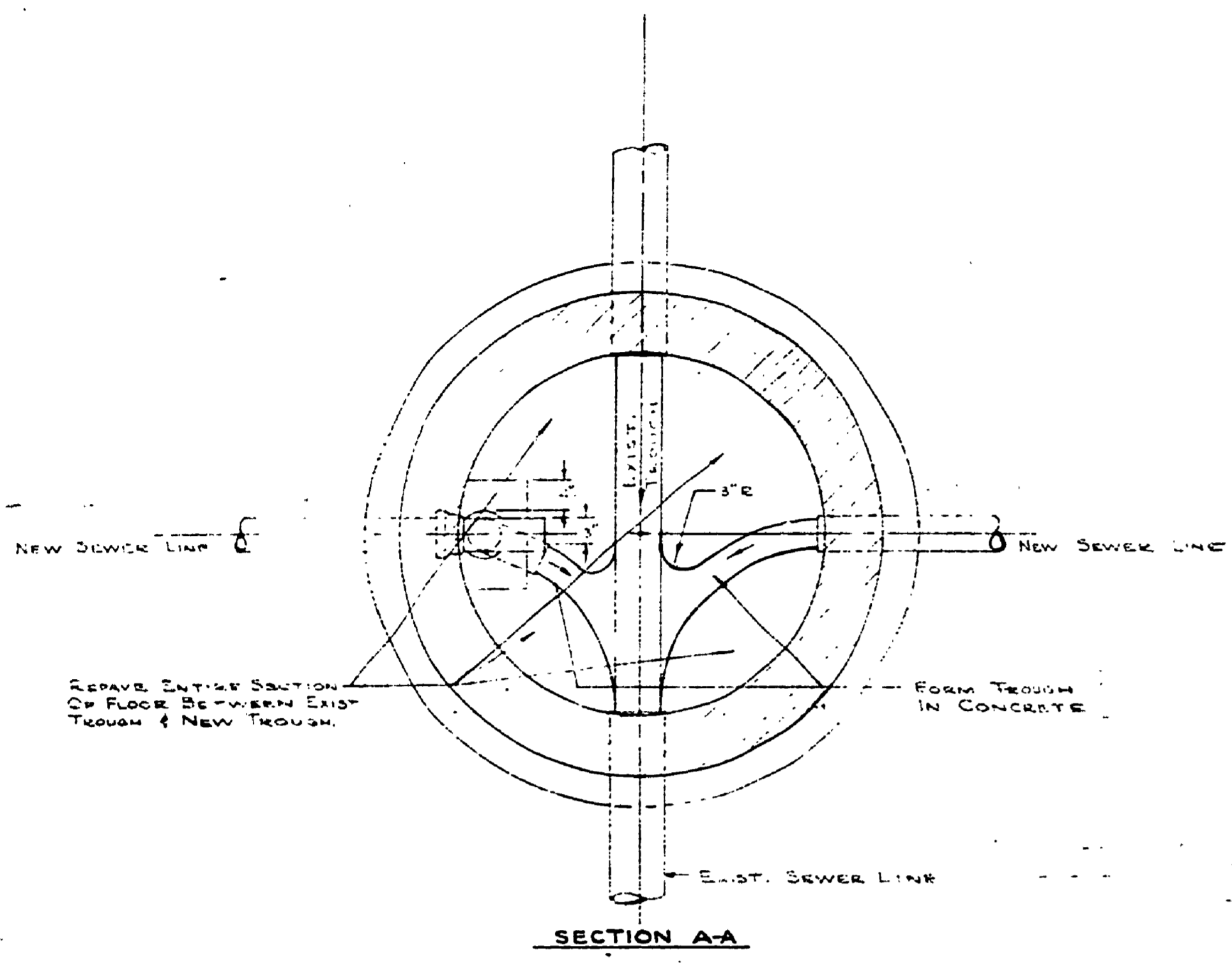
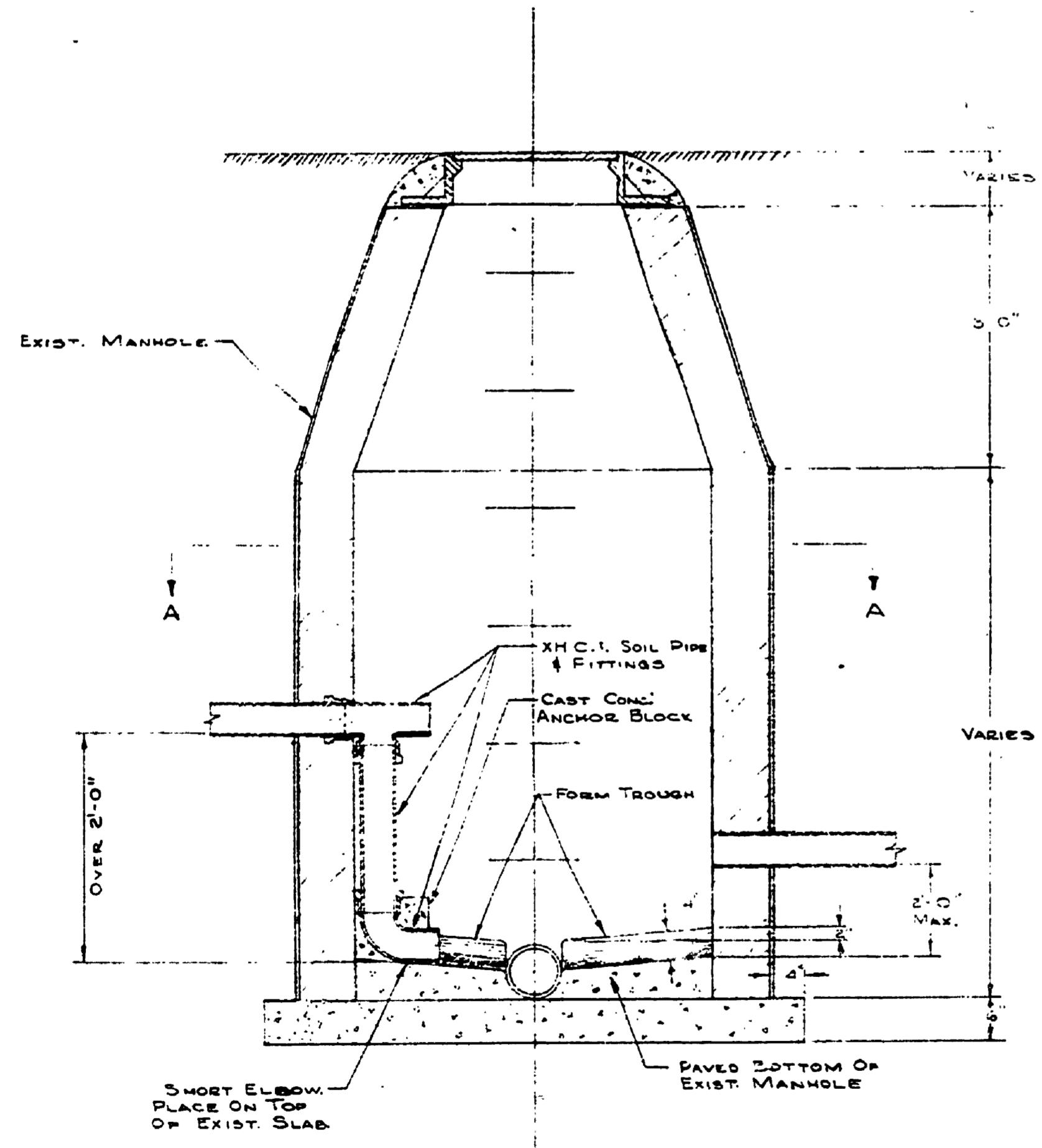


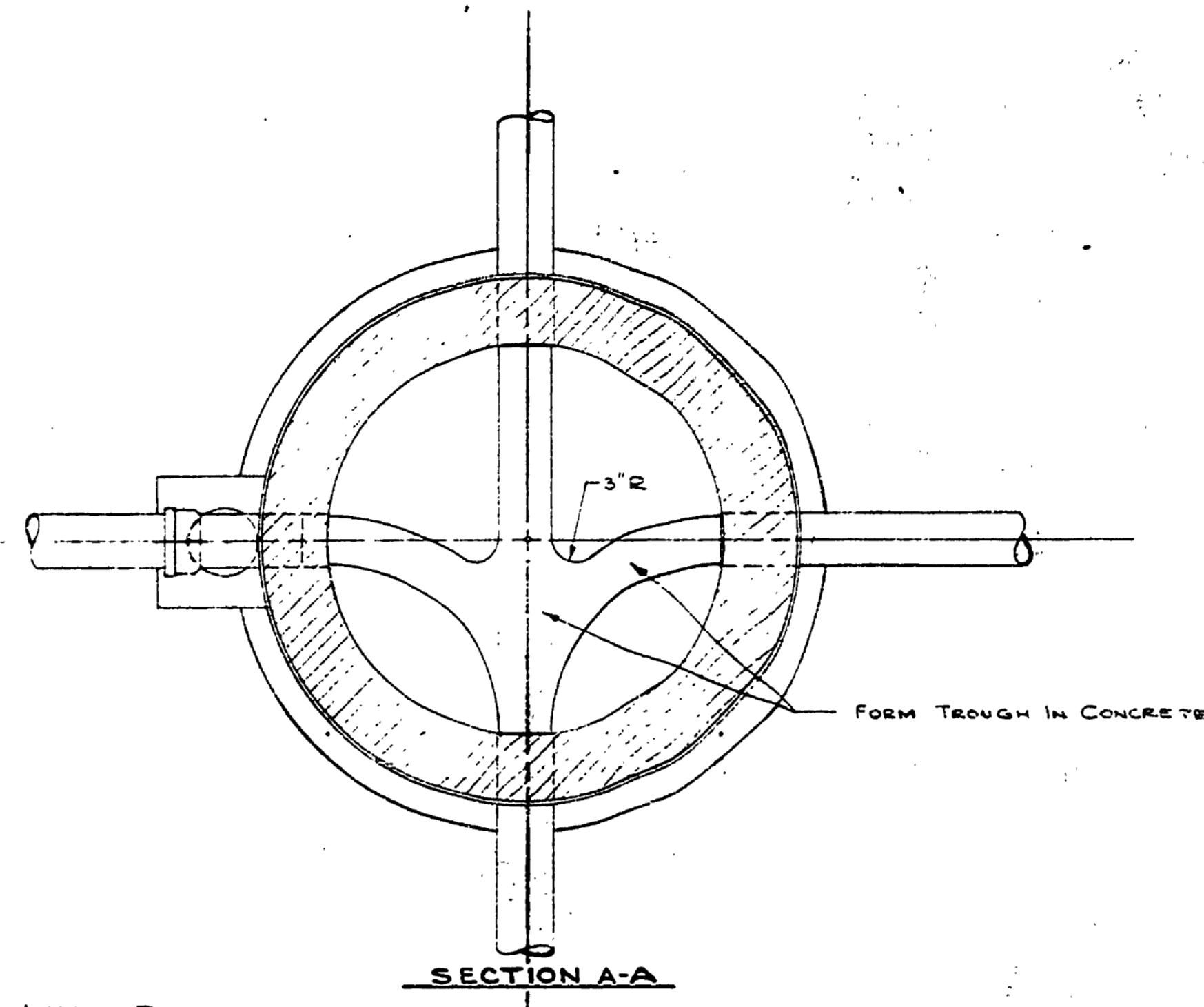
DESIGNED BY	DATE	REVIEWED	DATE	APPROVED	DATE	NO.	DATE BY	REVISIONS	DATE BY
DRAWN BY		ARCHITECTURAL				1		4	
CHECKED BY		ENGINEERING				2		5	
		LANDSCAPE				3		6	



SECTION A-A



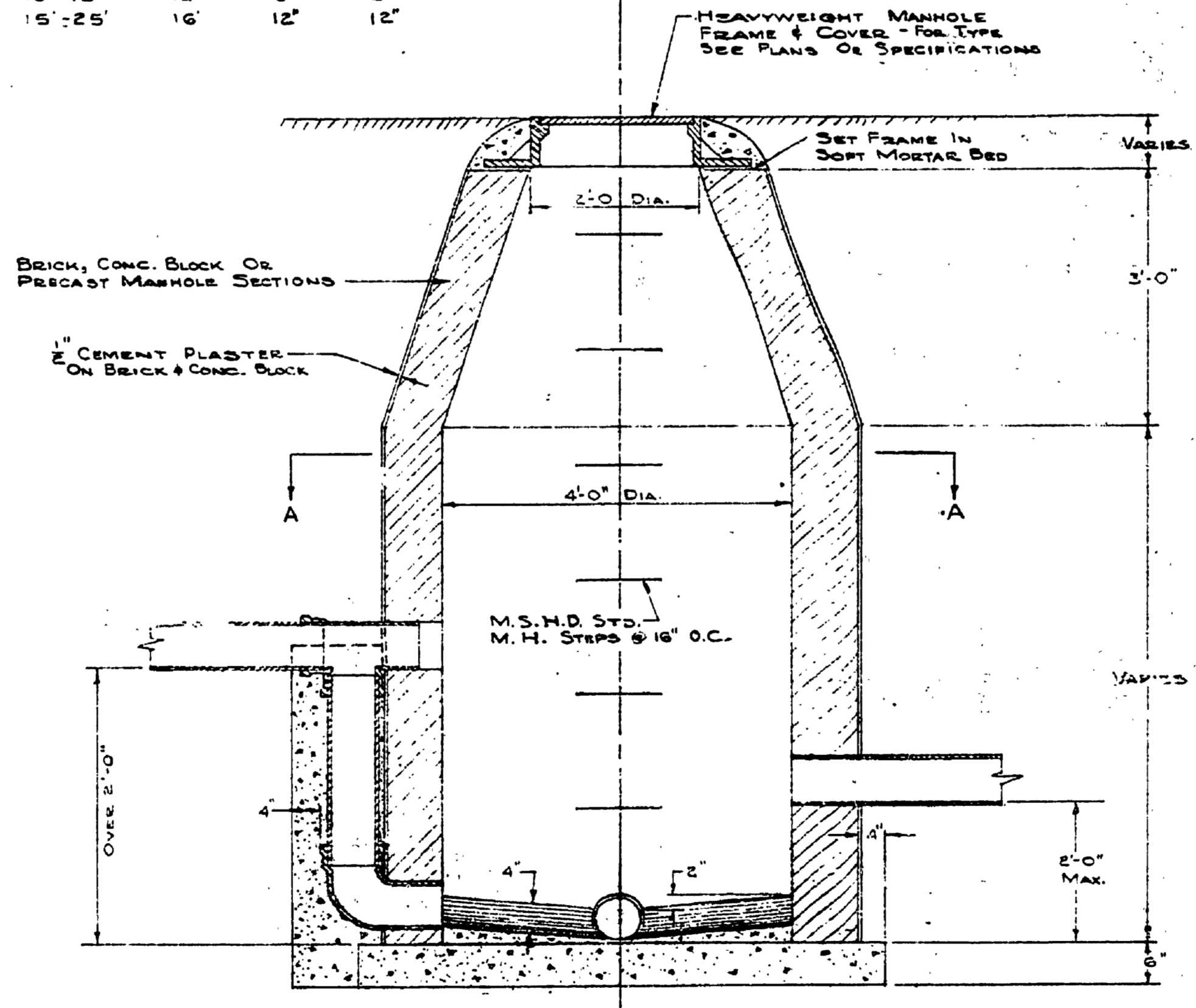
STANDARD CONNECTION AT EXISTING MANHOLE  
SCALE 3/4" = 1'-0"



SECTION A-A

MIN. WALL THICKNESS

M. H. DEPTH	BRICK	CONC. BLOCK	PRECAST CONC.
0'-10"	8"	6"	6"
10'-15"	12"	8"	8"
15'-25"	16"	12"	12"



STANDARD MANHOLE (NEW CONSTRUCTION)  
SCALE 3/4" = 1'-0"