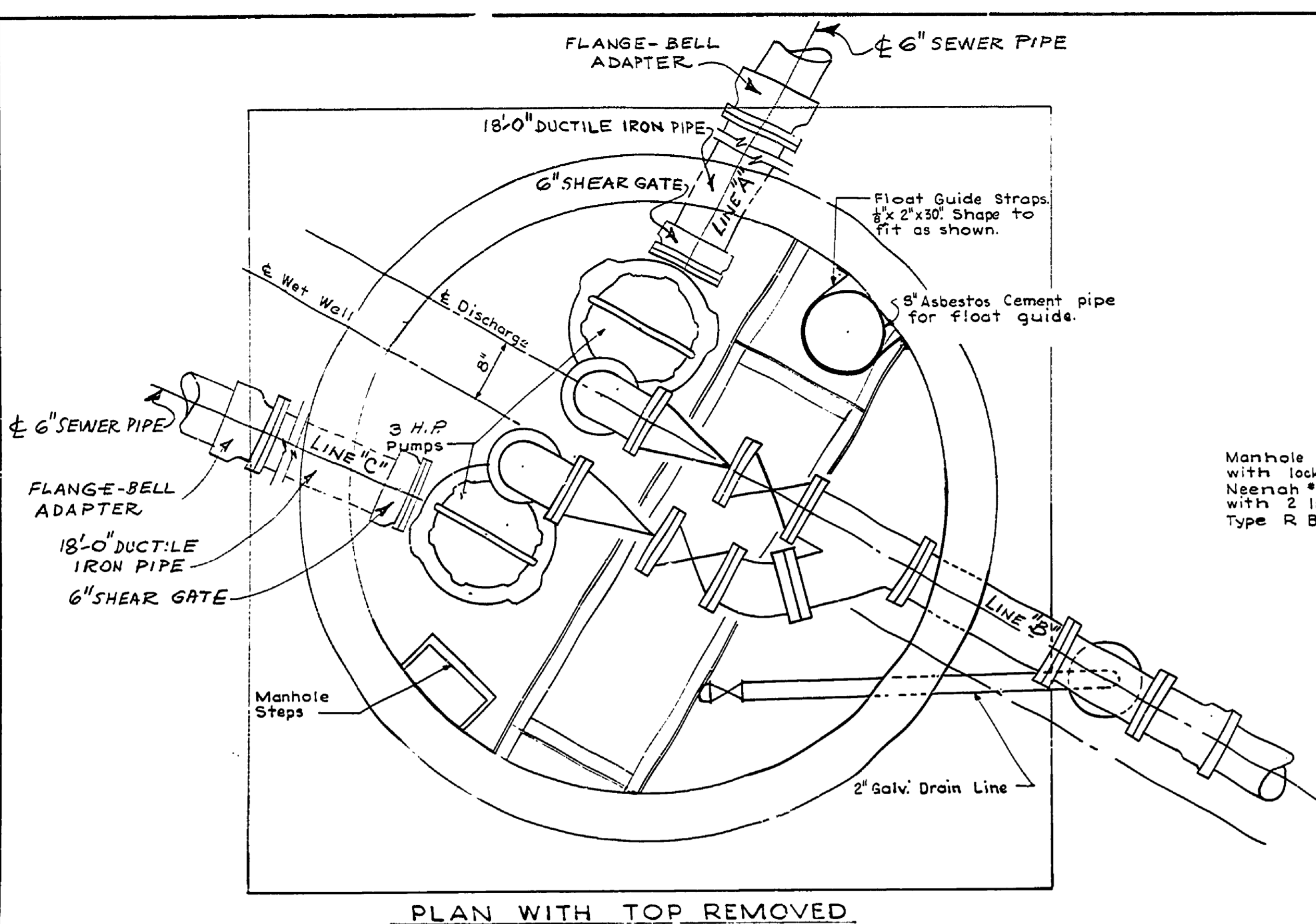
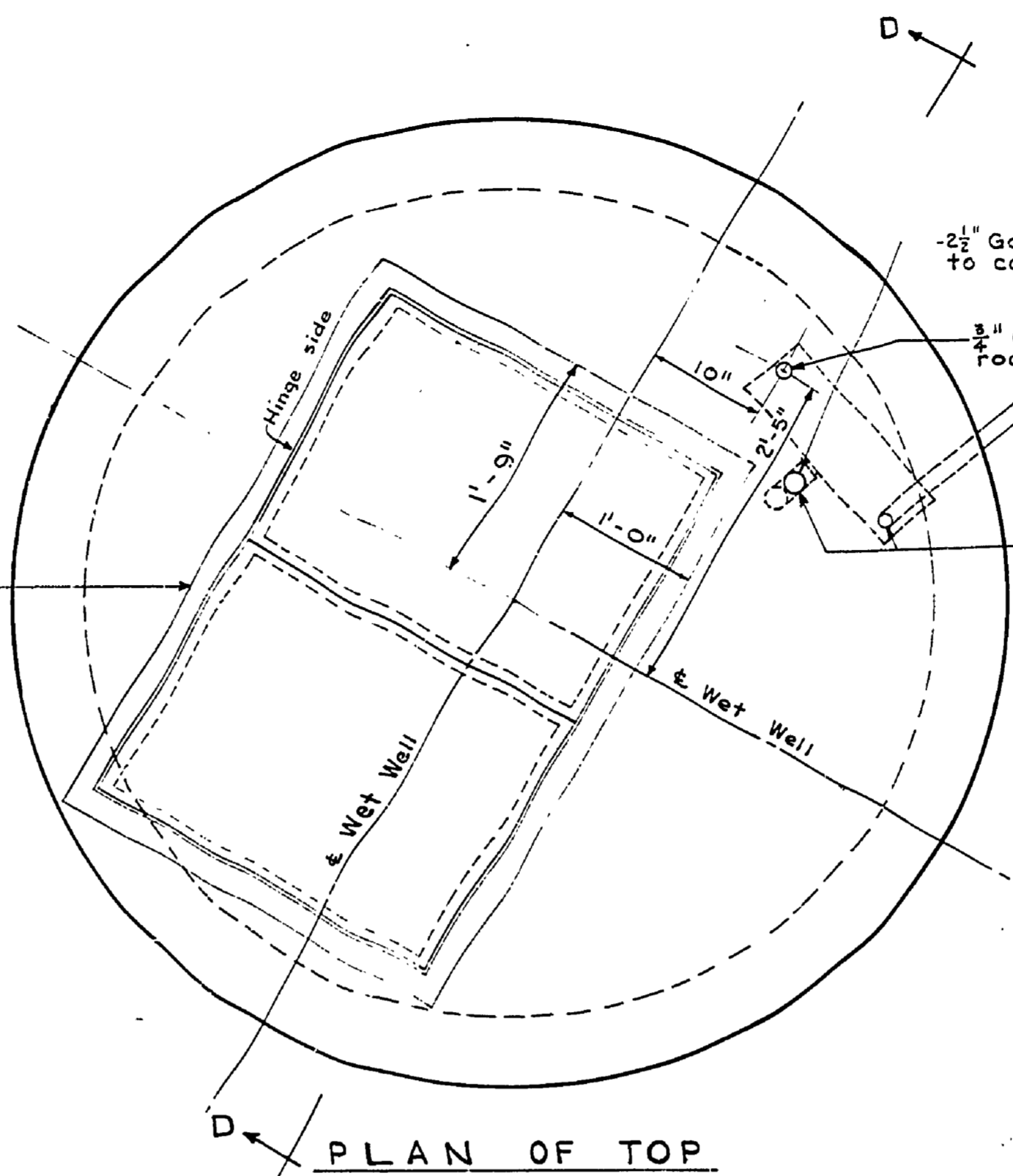


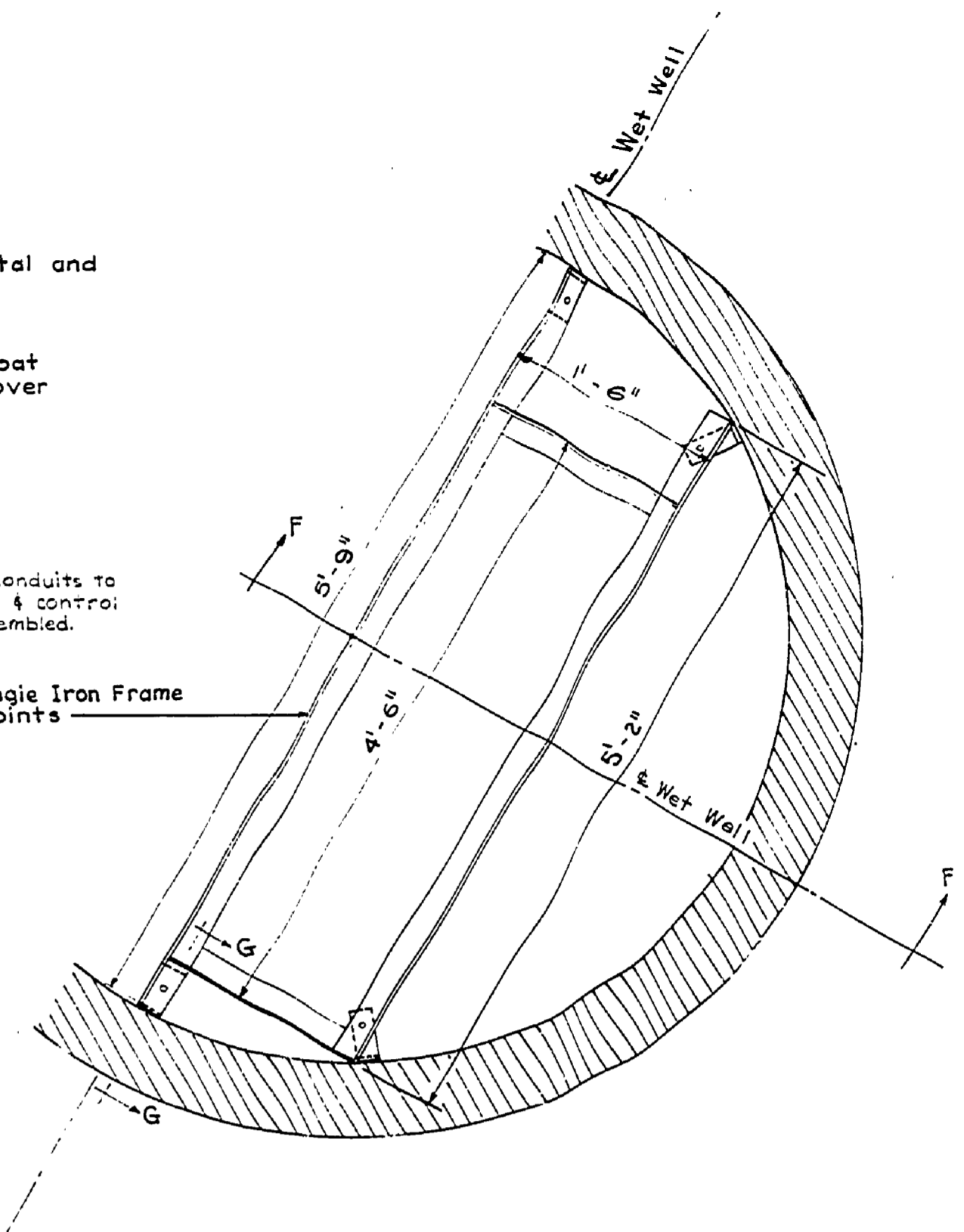
BRUNING 521761	DATE	BY
REVISIONS	4	5
NO	1	2
DATE		
APPROVED BY		
REVIEWED BY SECTIONS		
ARCHITECTURAL		
ENGINEERING		
LANDSCAPE		
DRAWN BY		
TRACED BY		
CHECKED BY		
DATE		



PLAN WITH TOP REMOVED

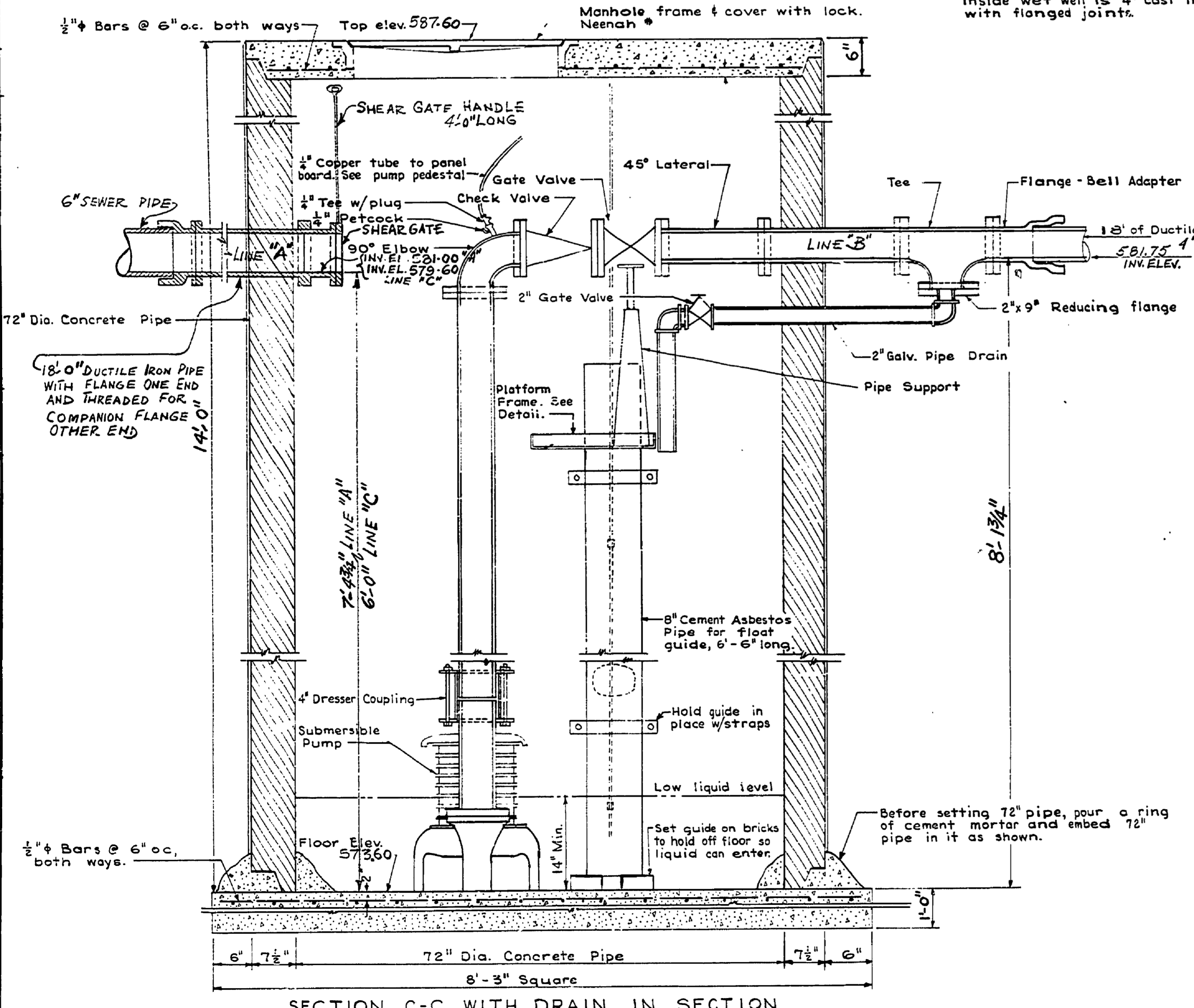


PLAN OF TOP

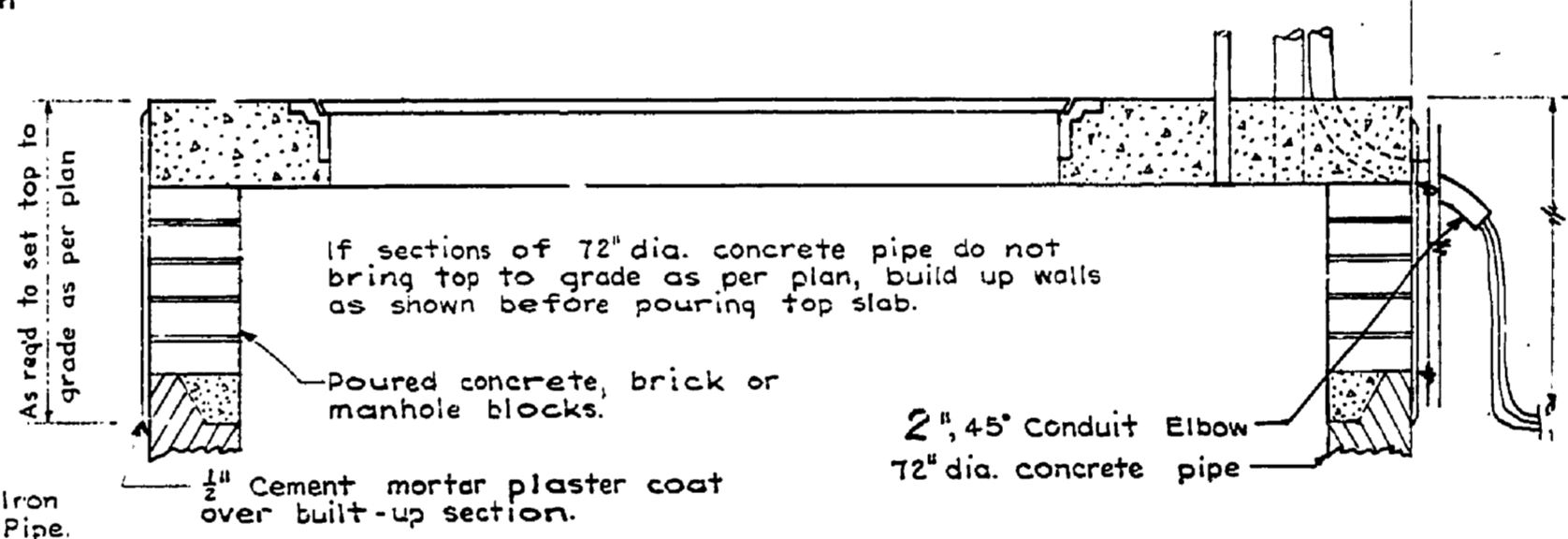


PLAN

NOTE: All pipe (unless otherwise noted) inside wet well is 4" cast iron with flanged joints.

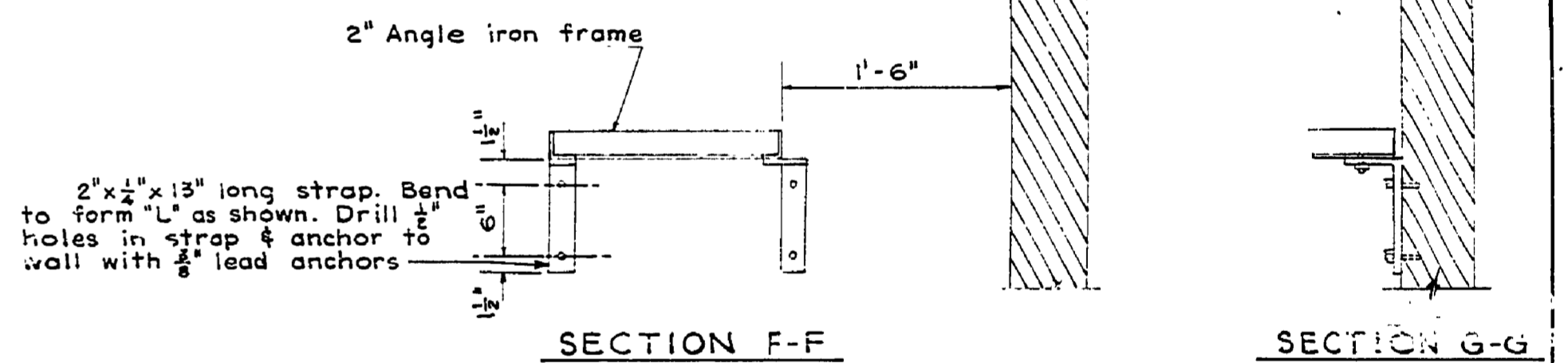


SECTION C-C WITH DRAIN IN SECTION

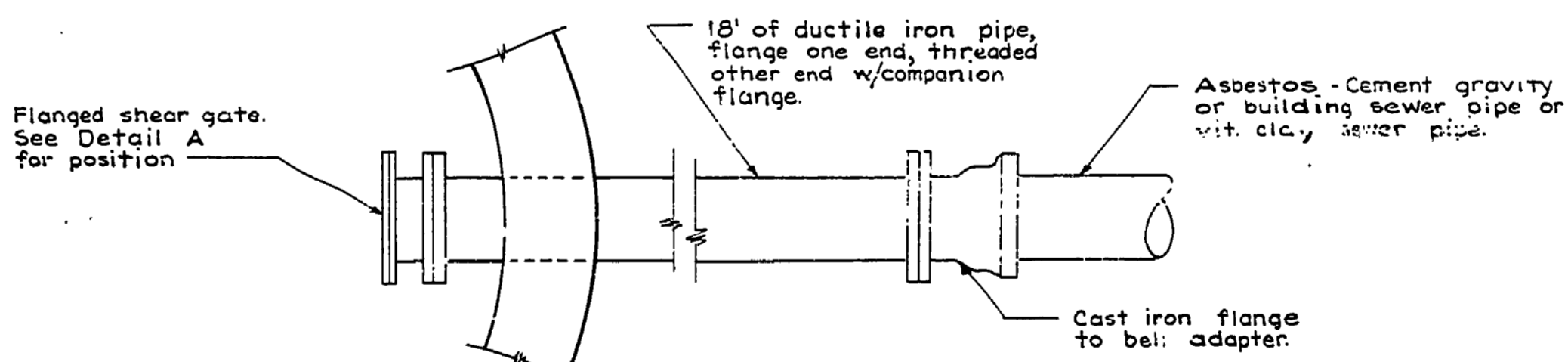


SECTION D-D

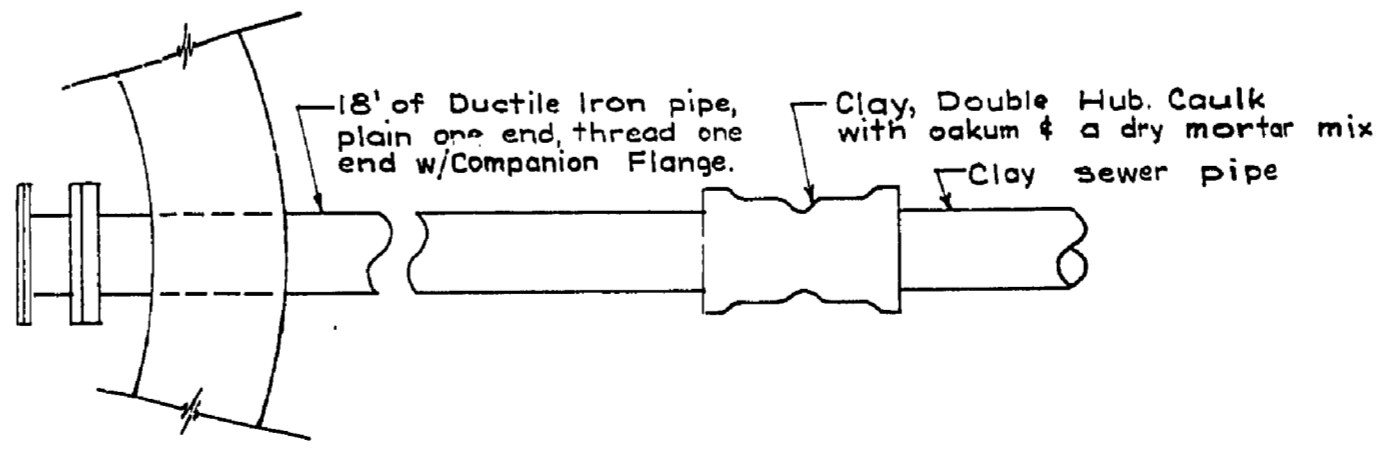
NOTE: Floor of platform is to be floor grating



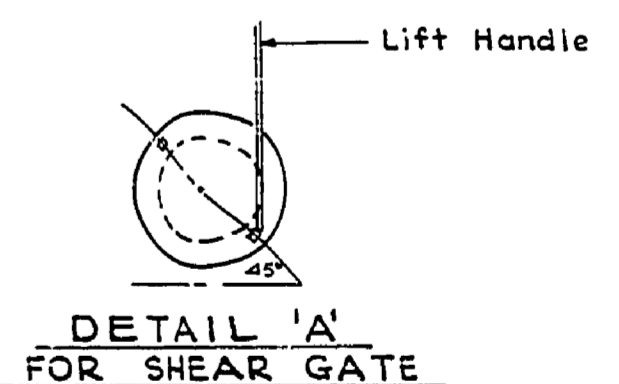
PLATFORM DETAILS



DETAIL OF CONNECTION TO ASBESTOS-CEMENT SEWER PIPE (Not to scale)



DETAIL OF CONNECTION TO CLAY SEWER PIPE



DETAIL 'A' FOR SHEAR GATE

WET WELL AND PUMP STATION

MICHIGAN DEPARTMENT OF CONSERVATION

P.J. HOFFMASTER STATE PARK PA-108-5124-300-024

SHEET NO. 13 OF 27 PLAN NO. E-101

SE-137