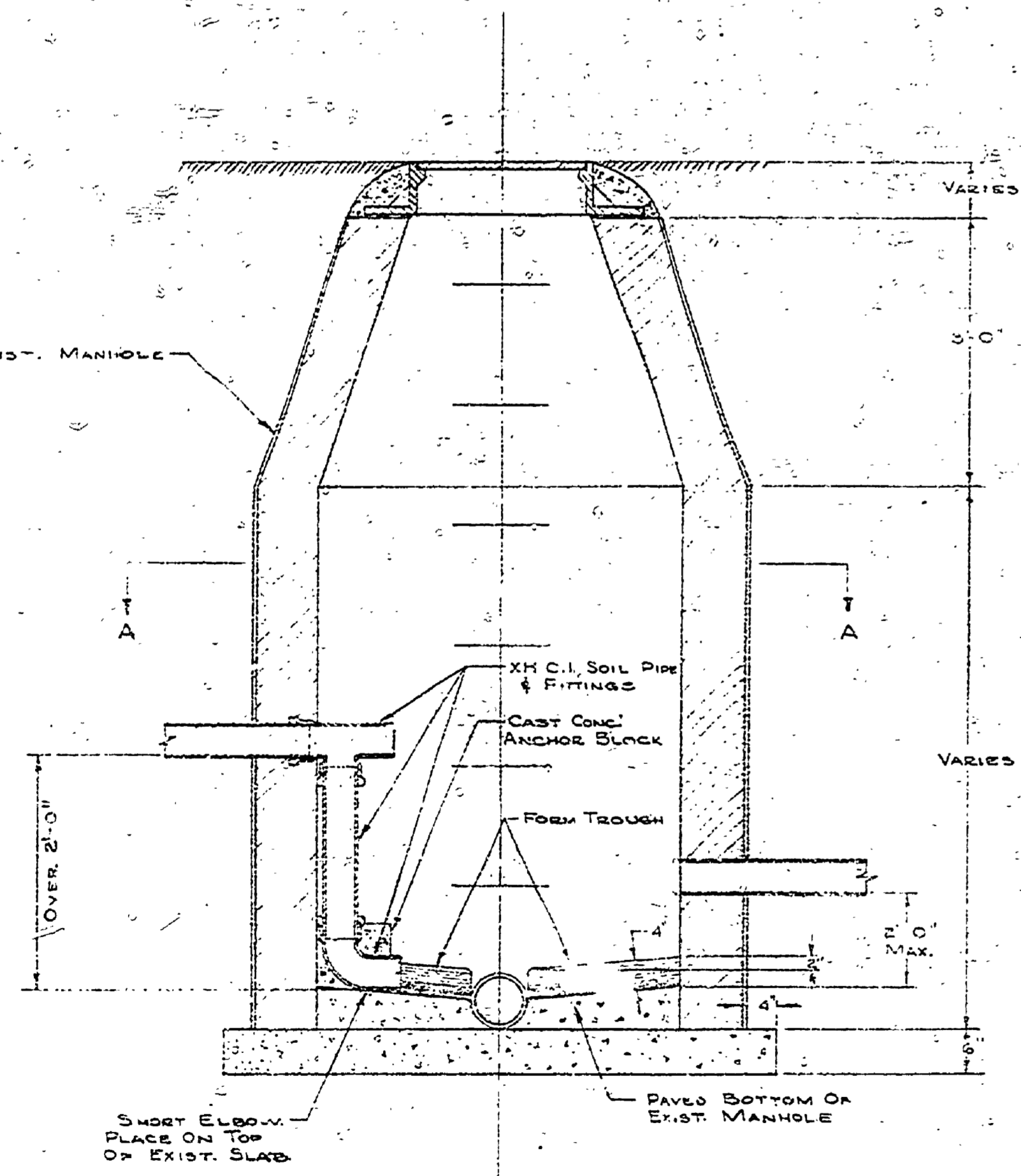
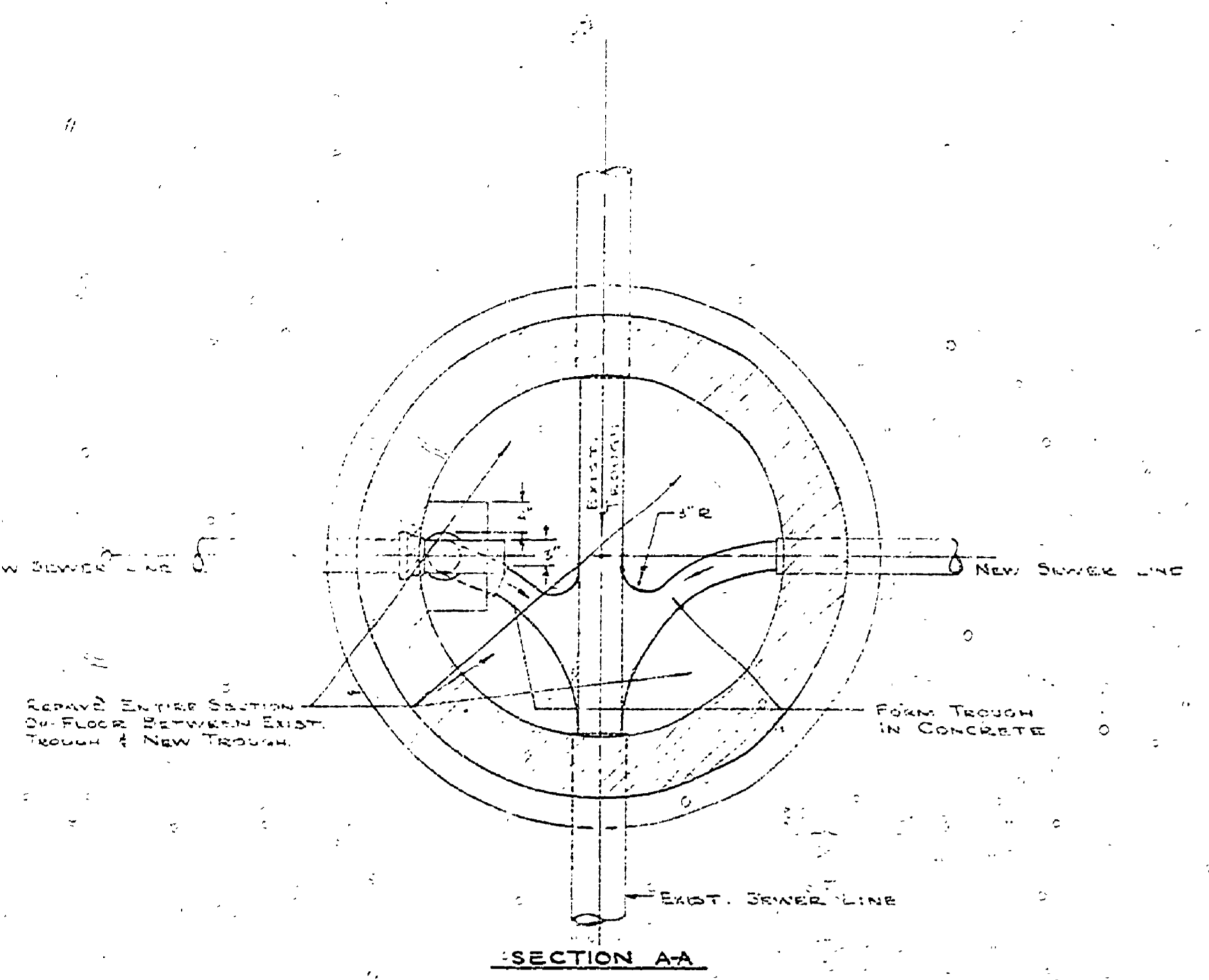
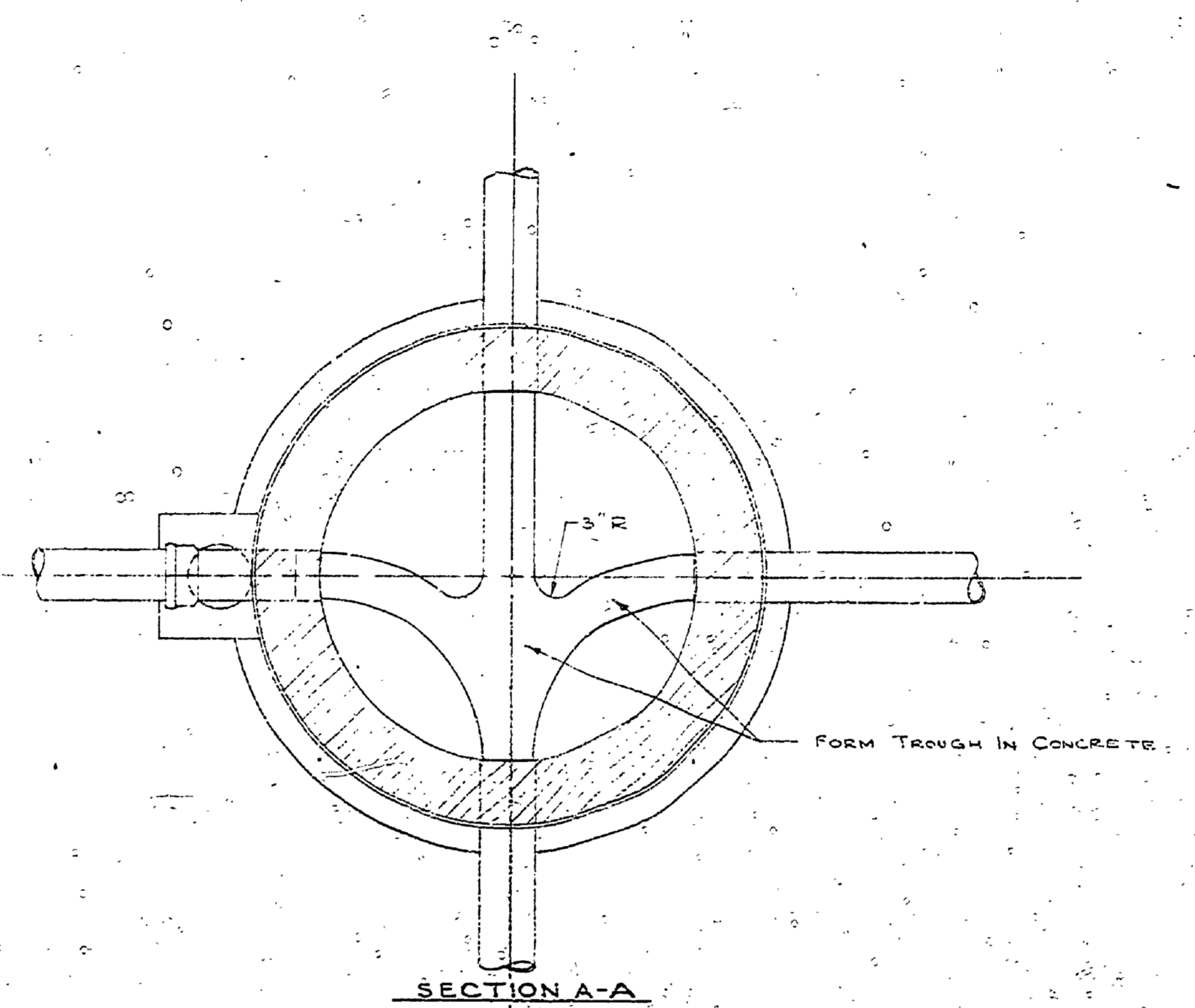


DESIGNED BY	DATE	REVIEWED	DATE	APPROVED	DATE	NO.	DATE	BY	REVISIONS	DATE	BY
DRAWN BY	ARCHITECTURAL	ENGINEERING	LANDSCAPE			1			1		
CHECKED BY						2			2		
						3			3		
									4		
									5		
									6		

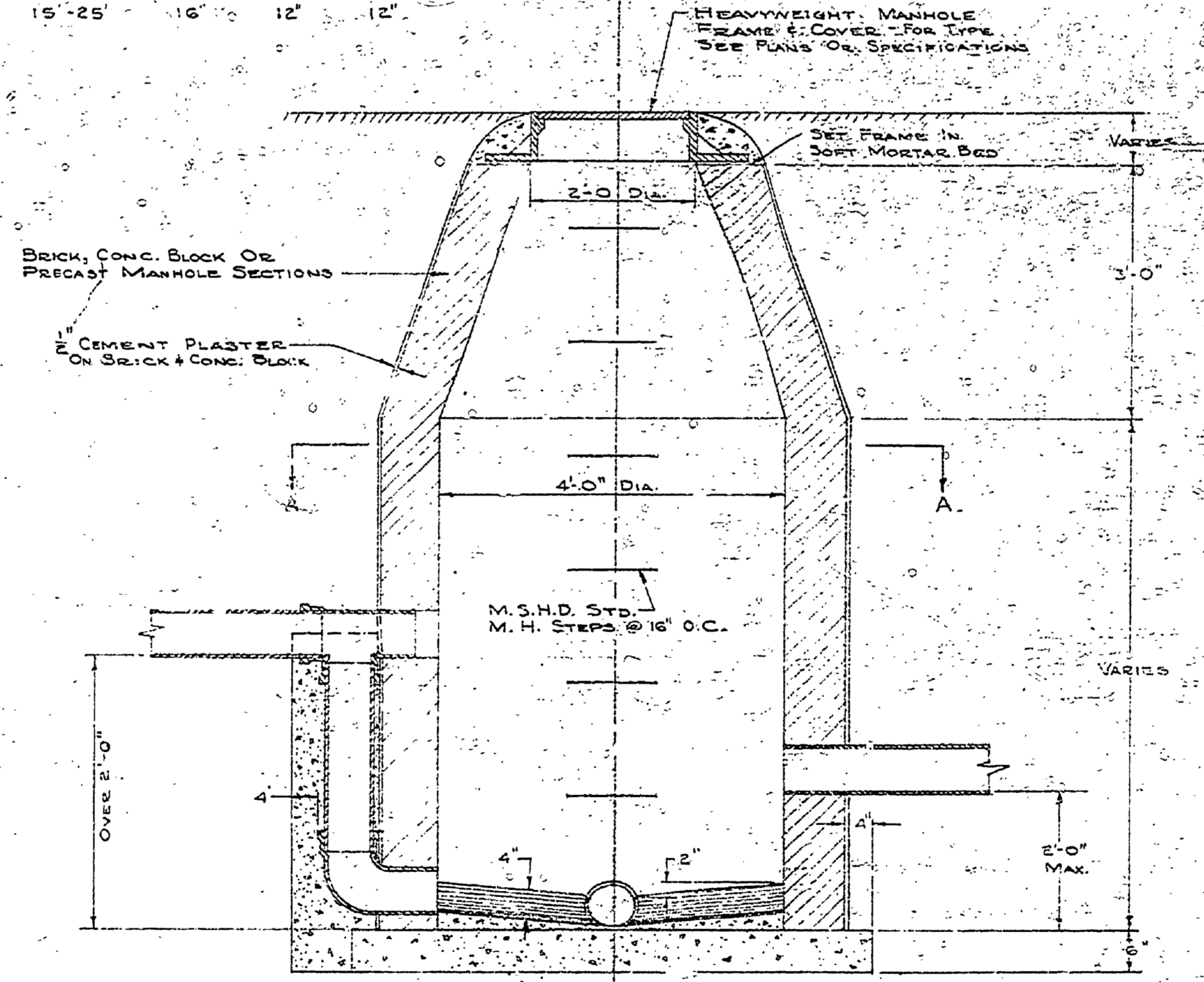


STANDARD CONNECTION AT EXISTING MANHOLE
SCALE 3/4" = 1'-0"



MIN. WALL THICKNESS

M. H. DEPTH	BRICK	CONC. BLOCK	PRECAST CONC.
0'-10"	8"	6"	6"
10'-15"	12"	8"	8"
15'-25"	16"	12"	12"



STANDARD MANHOLE (NEW CONSTRUCTION)
SCALE 3/4" = 1'-0"