

BENCH MARKS

B.M. #26 ELEV. 612.40
P.K. NAIL, NUT & TAG IN N.W. ROOT
OF 13" MAPLE 90' LT. OF STA. 18+66.

T.B.M. #5 ELEV. 636.15
P.K. NAIL, NUT & TAG IN STUMP ON
@ STA. 24+75.

B.M. #27 ELEV. 622.21
P.K. NAIL, NUT & TAG IN N.W. ROOT
OF 15" BEECH 13' LT. OF STA. 29+28.

T.B.M. #6 ELEV. 616.42
P.K. NAIL, NUT & TAG IN STUMP ON
@ STA. 29+96.

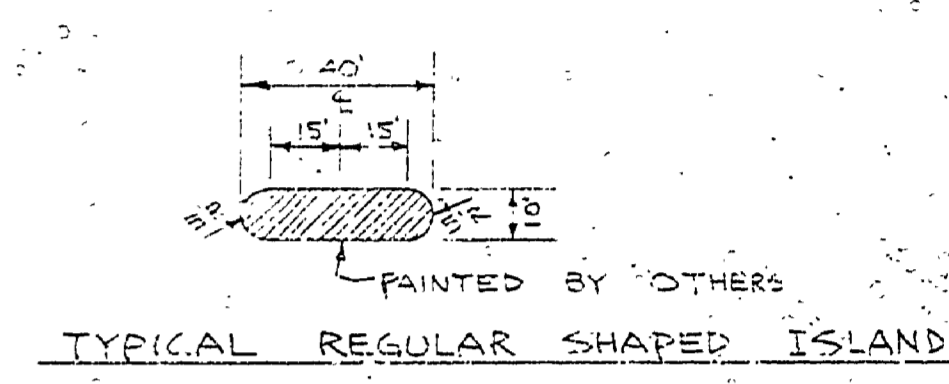
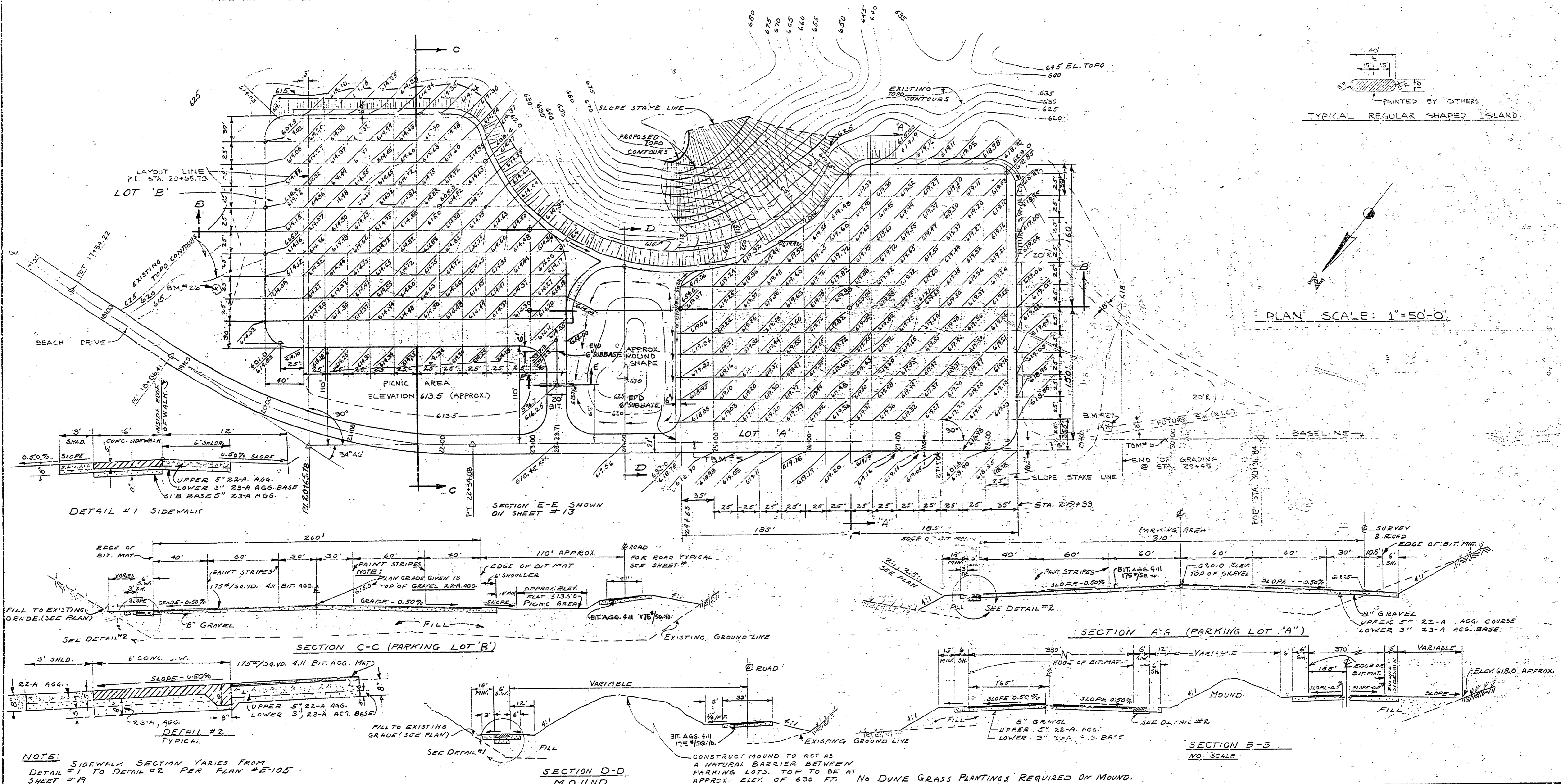
EARTHWORK QUANTITIES

SEE SHEET #19

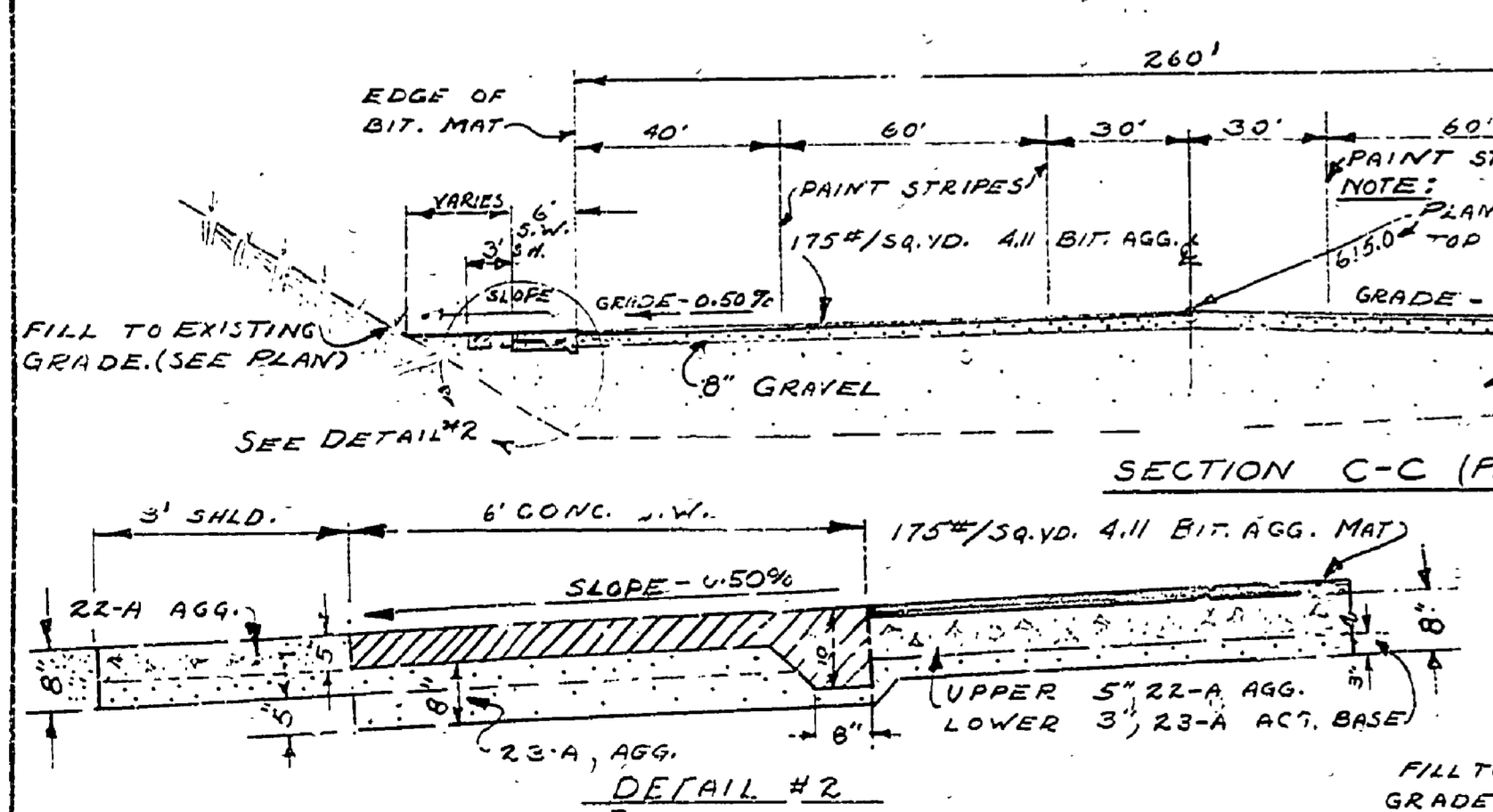
NOTE:
ALL DISTURBED SLOPES IN CUT OR
FILL ARE INCLUDED FOR DUNE GRASS PLANTING.

NOTES:

LOTS "A" & "B" EX. GR. EL. PROVIDED TOP OF GRAVEL ELEVATION
FOR TOP BIT. MAT. ELEV. ADD 1 3/4" (175#/SQ.YD.)
TO PROPOSED TOP OF GRAVEL ELEV.

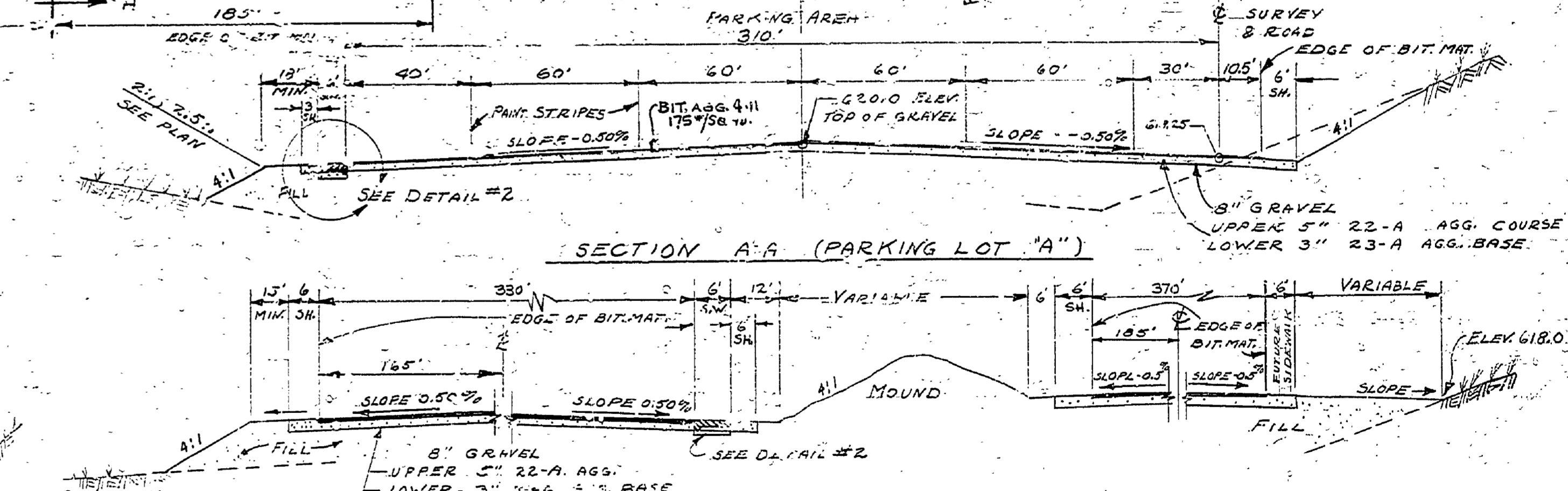


DETAIL #1 SIDEWALK



SECTION E-E SHOWN ON SHEET #13

SECTION A-A (PARKING LOT 'A')



SECTION B-B

NOTE: SIDEWALK SECTION VARIES FROM
DETAIL #1 TO DETAIL #2 PER PLAN #E-105
SHEET #19

CONSTRUCT MOUND TO ACT AS
A NATURAL BARRIER BETWEEN
PARKING LOTS. TOP TO BE AT
APPROX. ELEV. OF 630 FT. NO DUNE GRASS PLANTINGS REQUIRED ON MOUND.

SURVEYED BY		DRAWN BY B. BOYCE G.M.		NO. 2-19-69		DATE		BY		REVISIONS		NO. 3		DATE		BY		REVISIONS	
DESIGNED BY A. PETRAVICIUS		CHECKED BY		DATE		DATE		DATE		DATE		DATE		DATE		DATE		DATE	