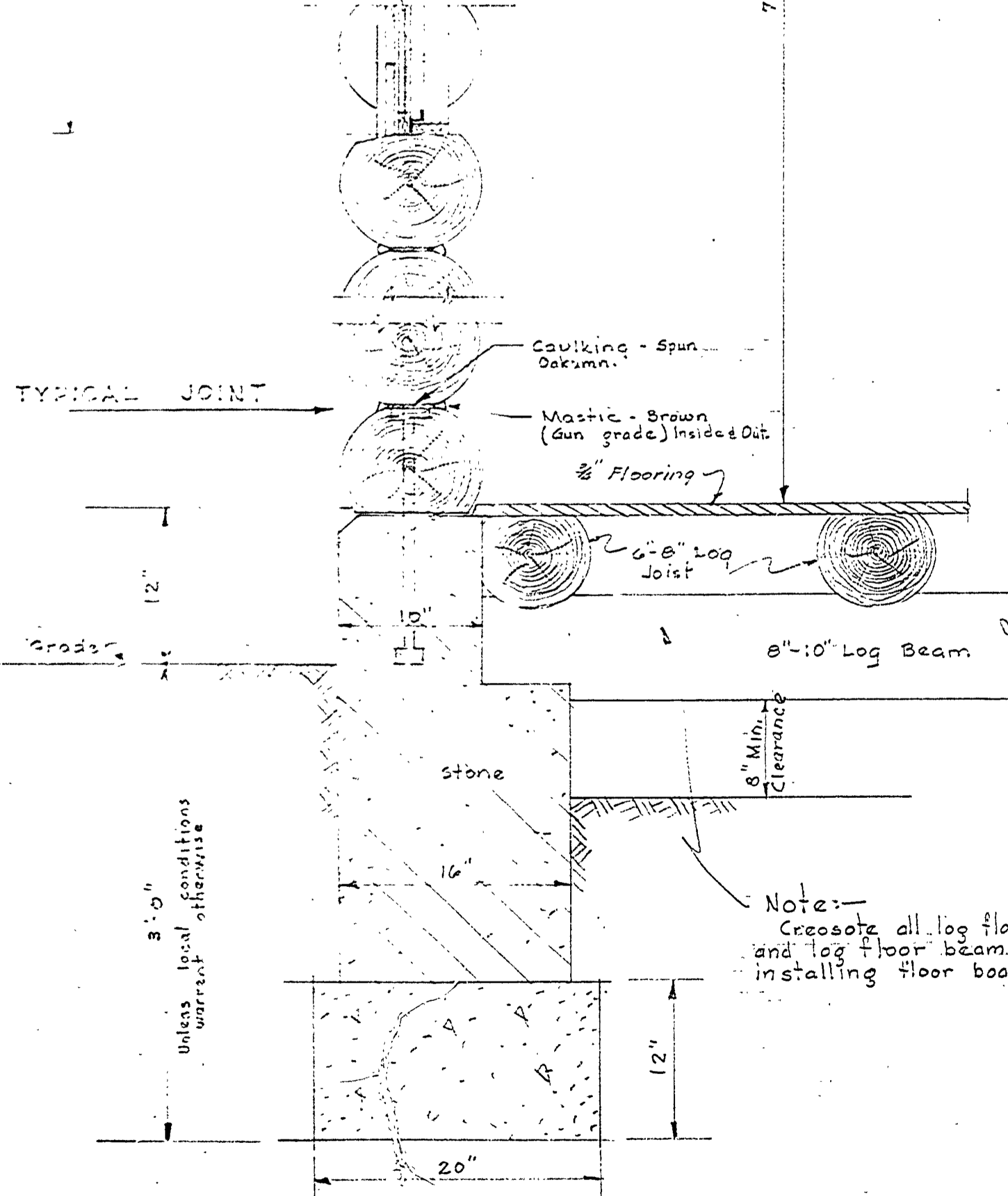
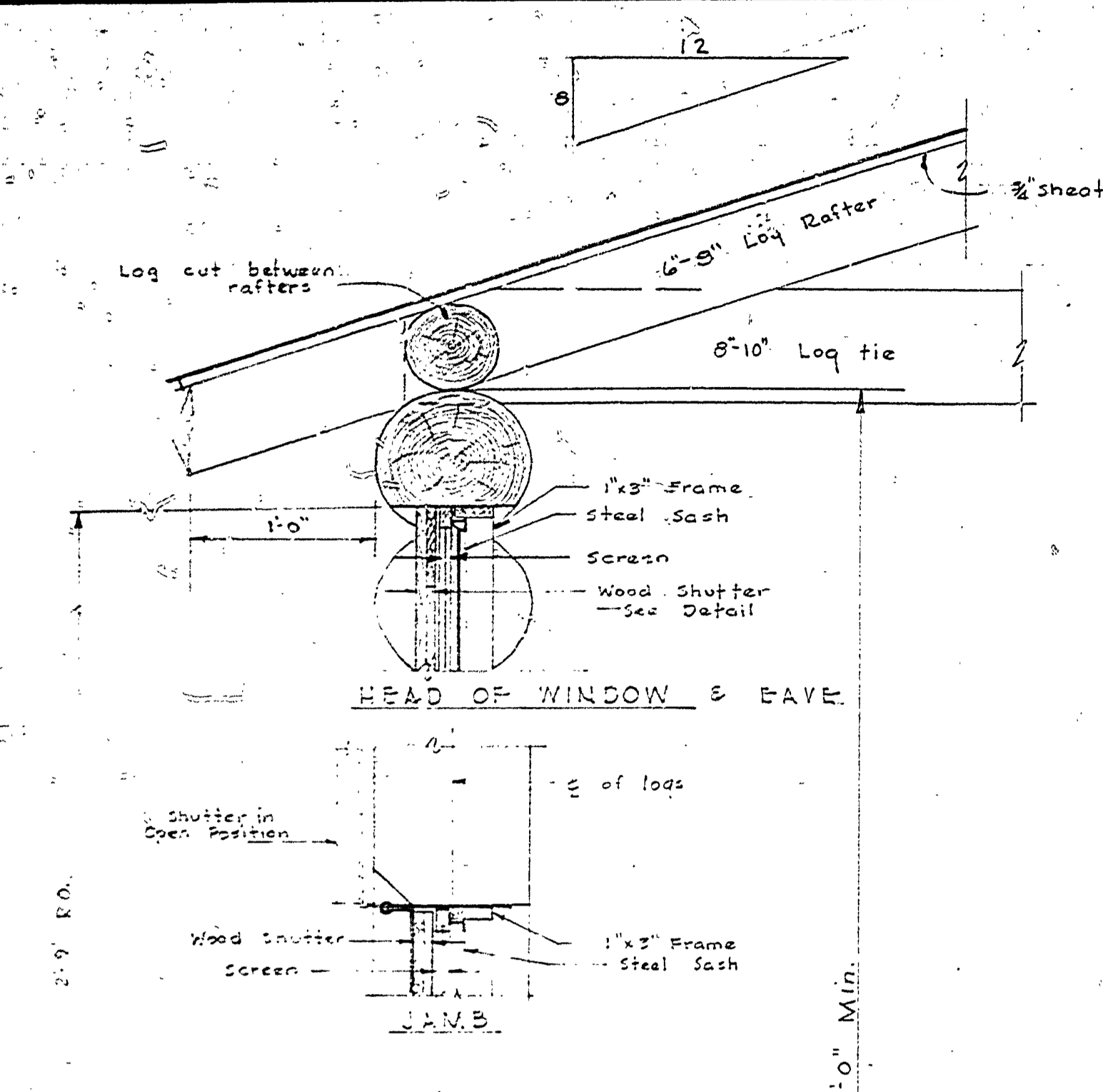


REVISIONS	NO.	DATE	BY
4			
5			
6			

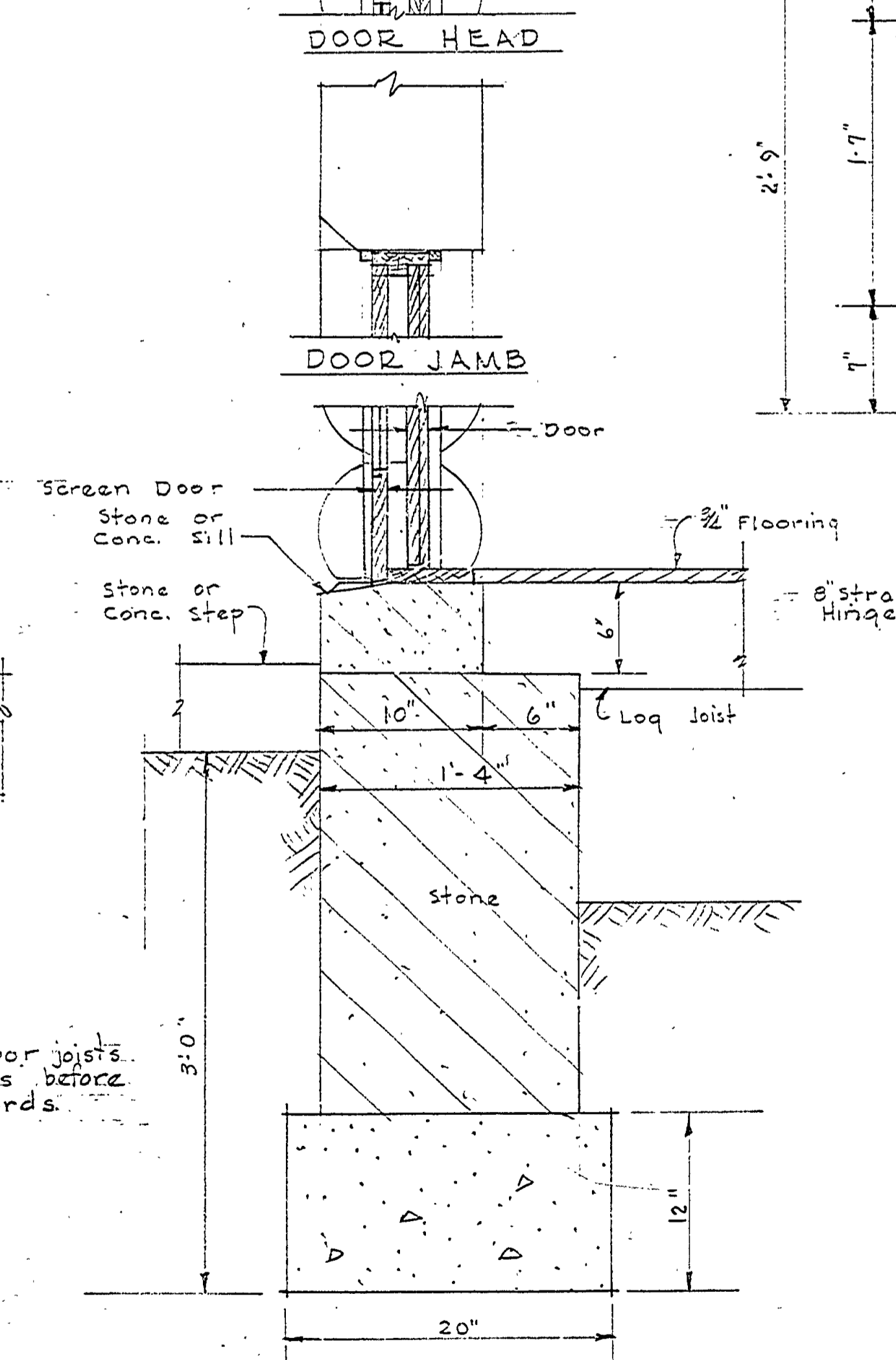
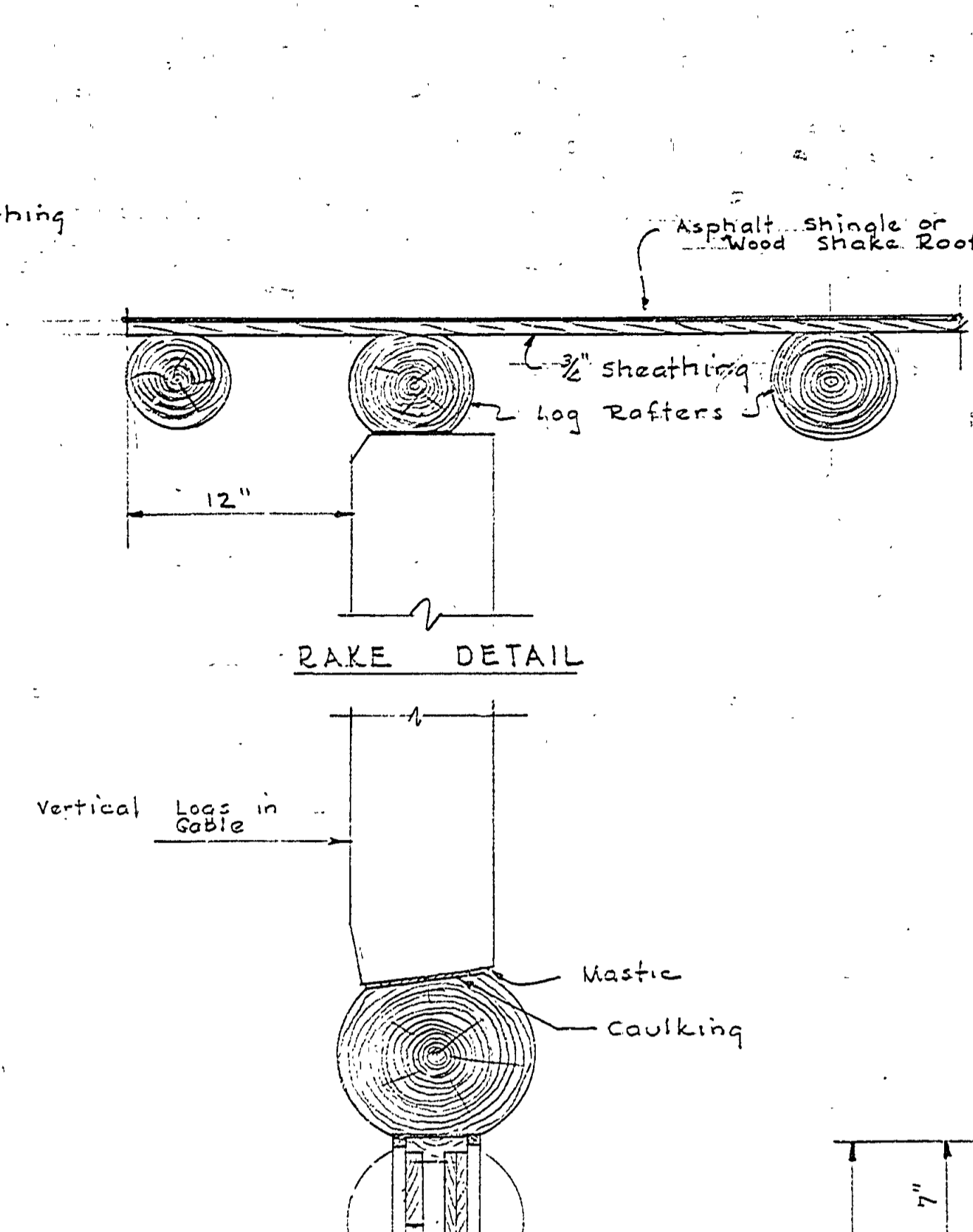
REVIEWED BY SECTIONS	DATE	APPROVED BY
ARCHITECTURAL	8/14/46	<i>[Signature]</i>
ENGINEERING	8/22/46	ASSISTANT CHIEF IN CHARGE
LANDSCAPE	8/22/46	OF DESIGN

DRAWN BY	DATE
<i>[Signature]</i>	8/30/46

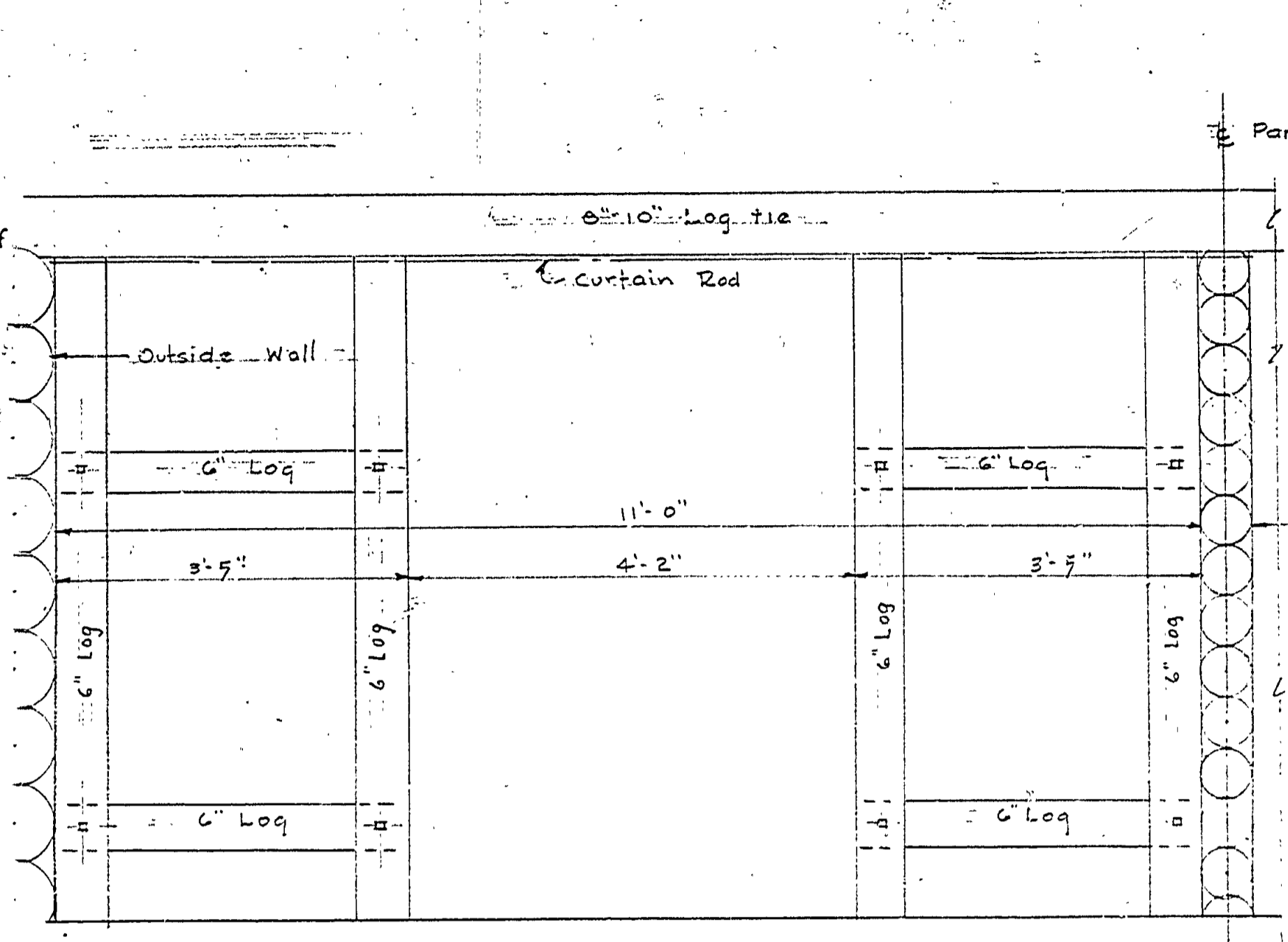
TRACED BY	CHECKED BY
<i>[Signature]</i>	<i>[Signature]</i>



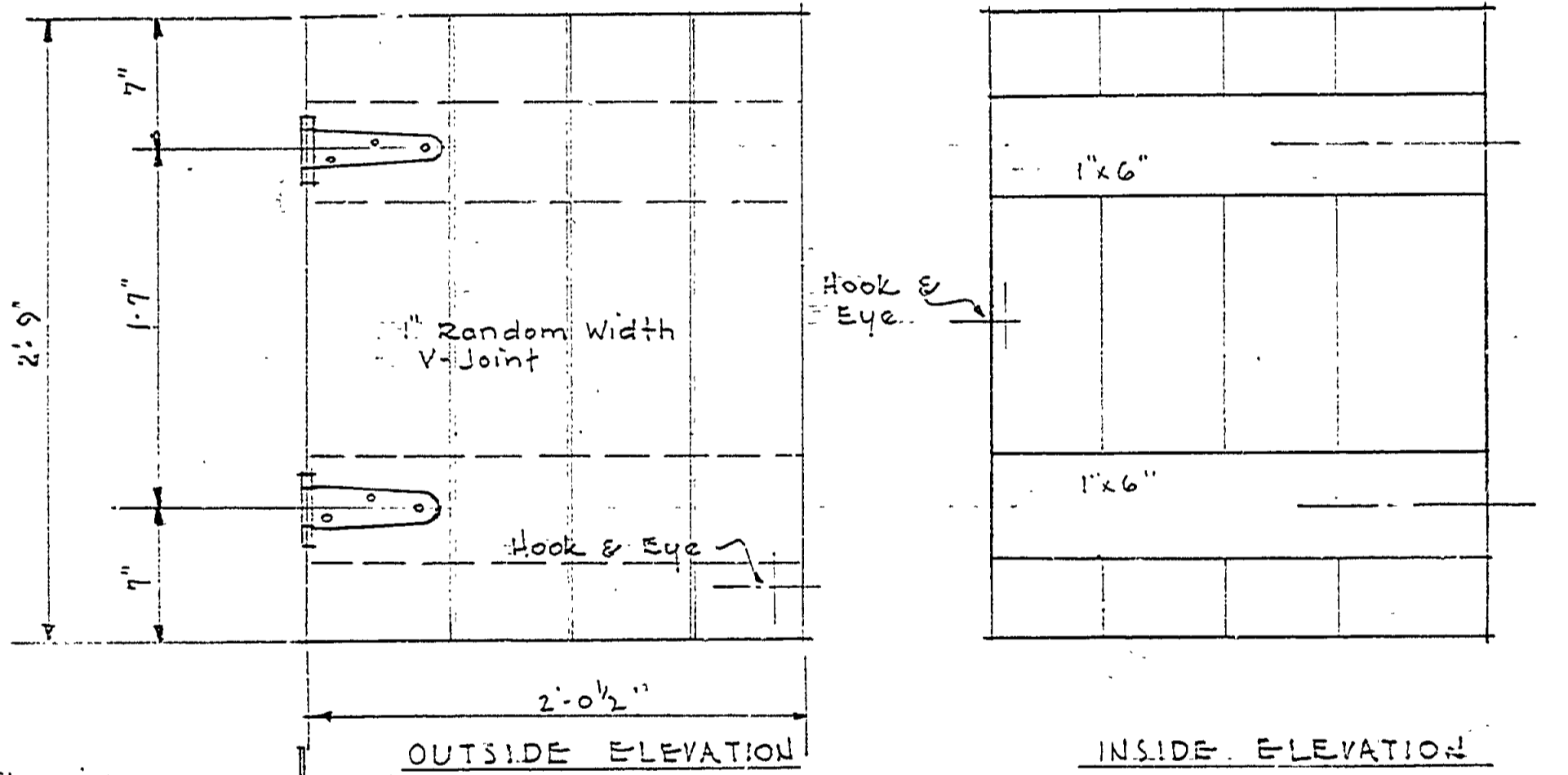
WALL SECTION A-A
— SHOWING TYPICAL WINDOW DETAIL —
Scale: 1 1/2" = 1'-0"



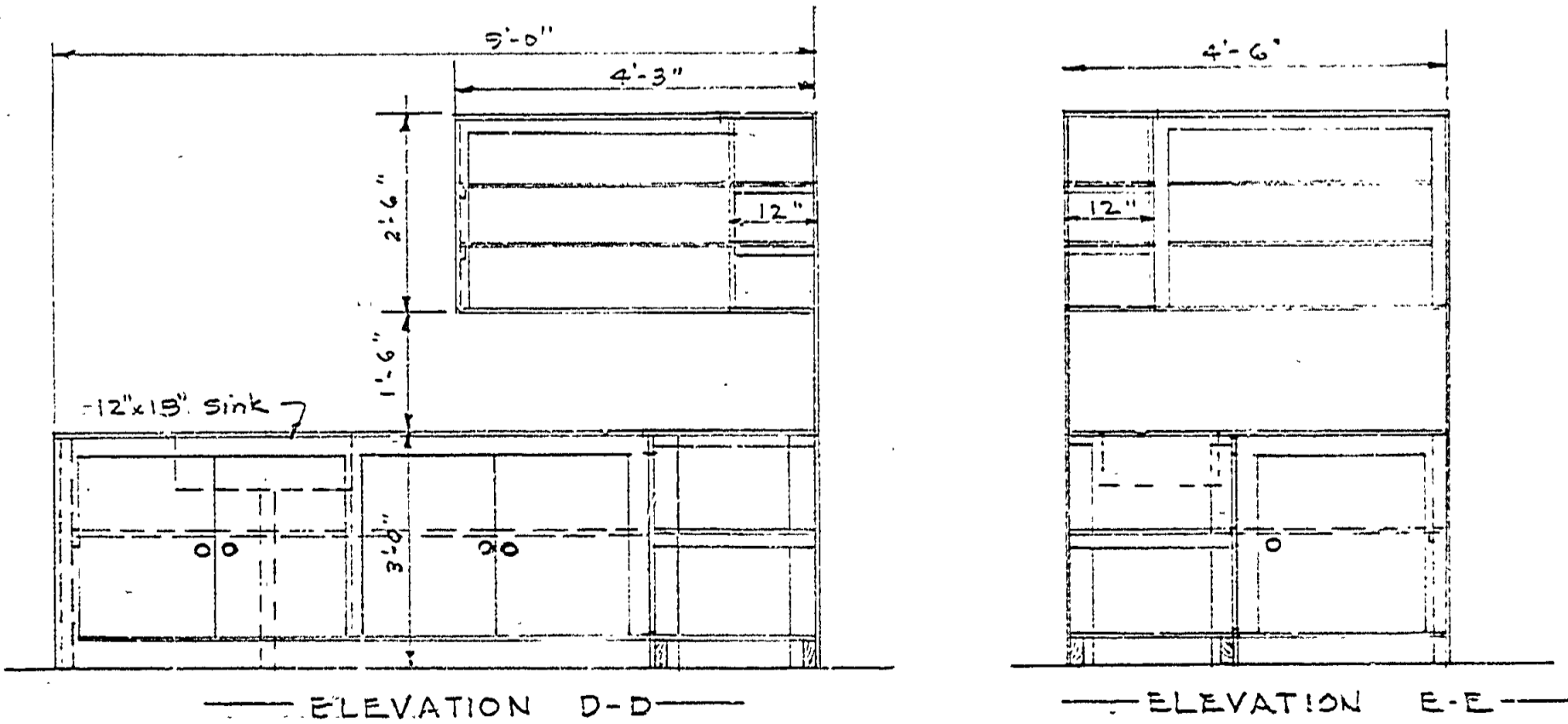
WALL SECTION B-B
— SHOWING DOOR DETAIL —
Scale: 1 1/2" = 1'-0"



DETAIL OF BUNK INSTALLATION
Scale: 3/4" = 1'-0"



DETAIL OF SHUTTER
Scale: 1 1/2" = 1'-0"



DETAIL OF CUPBOARDS
Scale: 1/2" = 1'-0"

Note:
Finish exterior logs with
Creosote Creosote stain.
Finish interior with natural
Min wax stain.
Sash painted brown.
Flooring to be T & G or shiplap
boards.
Roof sheathing to be shiplap or
square edge boards.