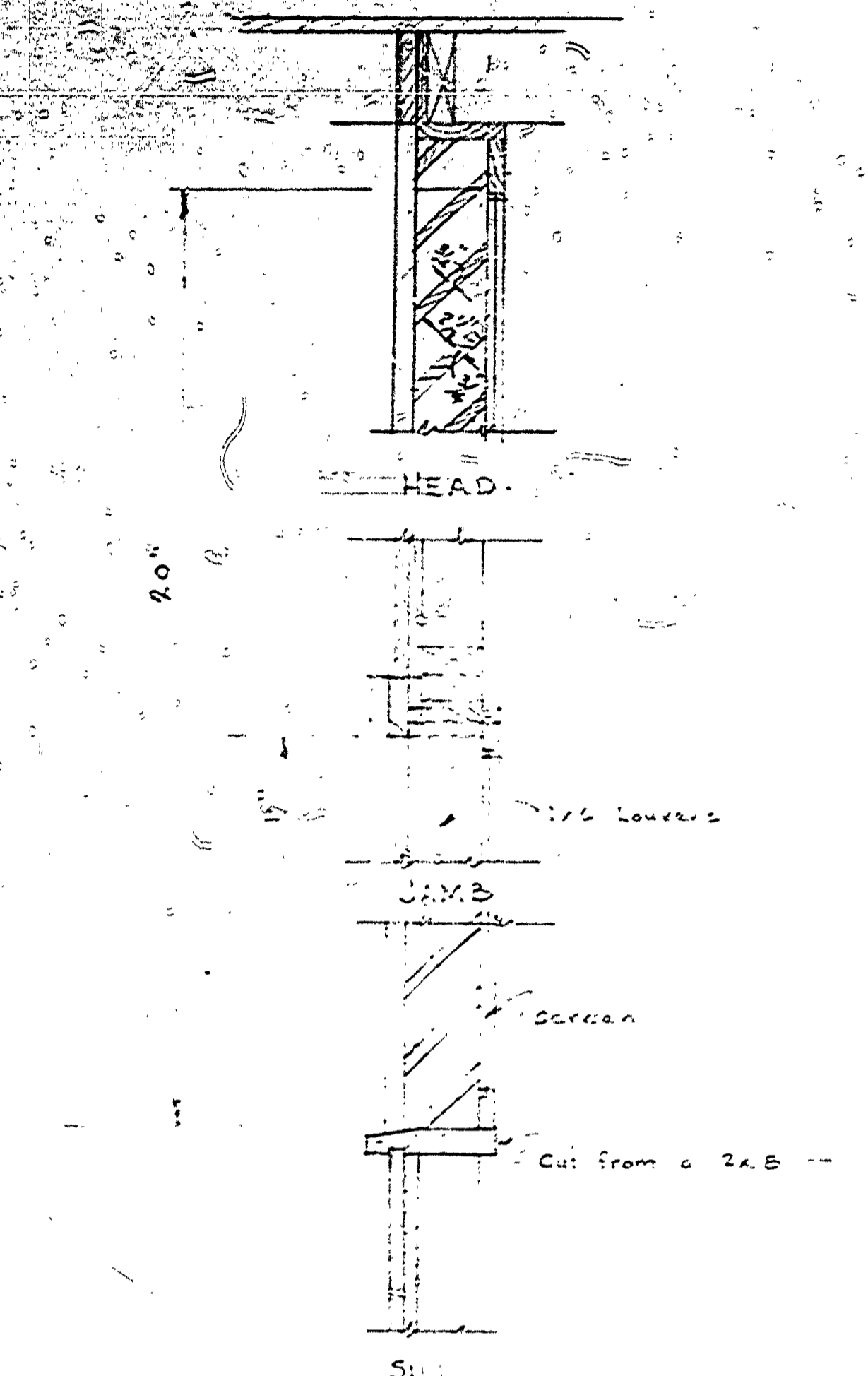


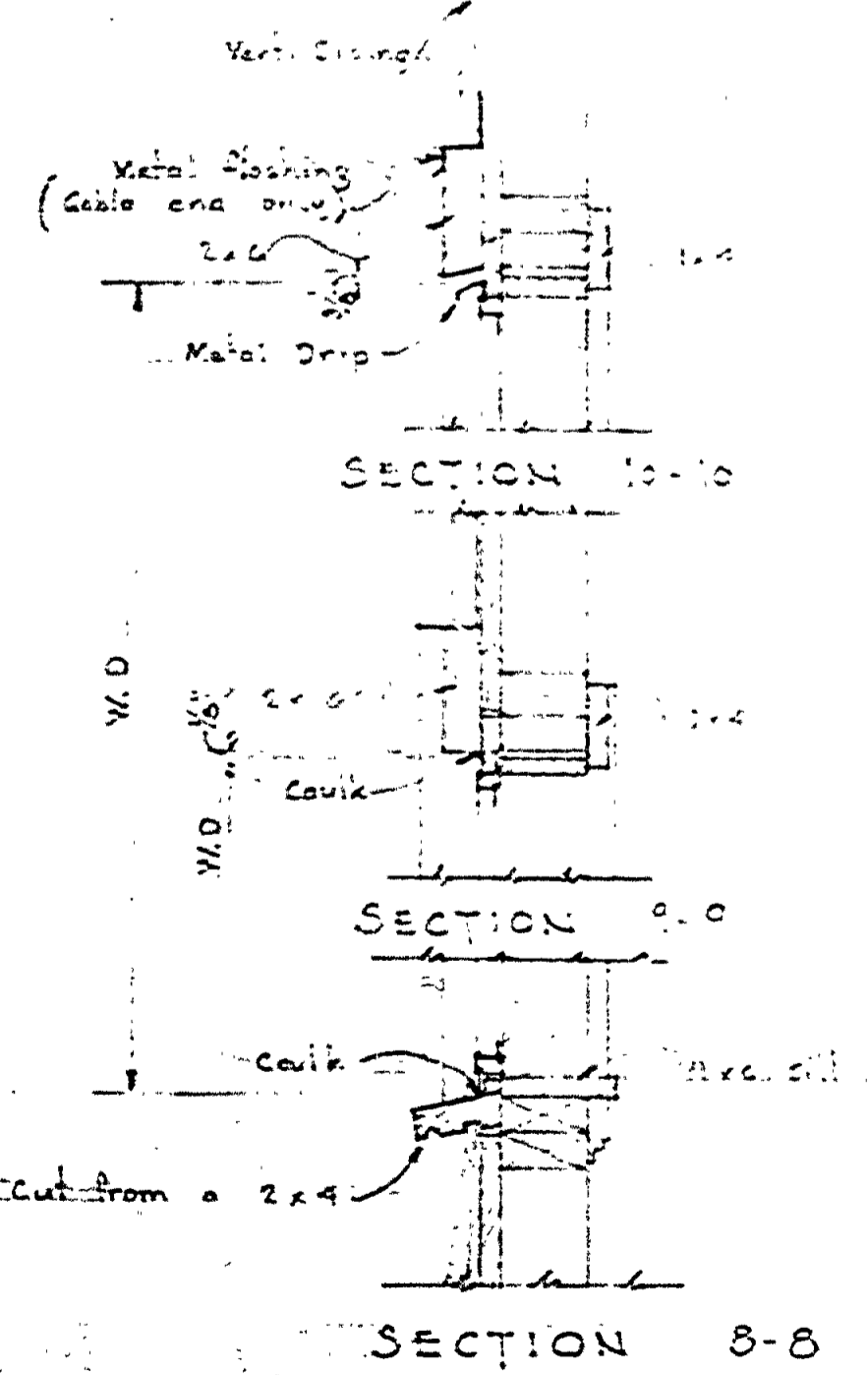
NO.	DATE	BY	REVISIONS
1			
2			
3			
4			
5			
6			

DATE	APPROVED BY	REVIEWED BY SECTIONS
6/21/48	[Signature]	ARCHITECTURAL
6/21/48		ENGINEERING
6/21/48		LANDSCAPE

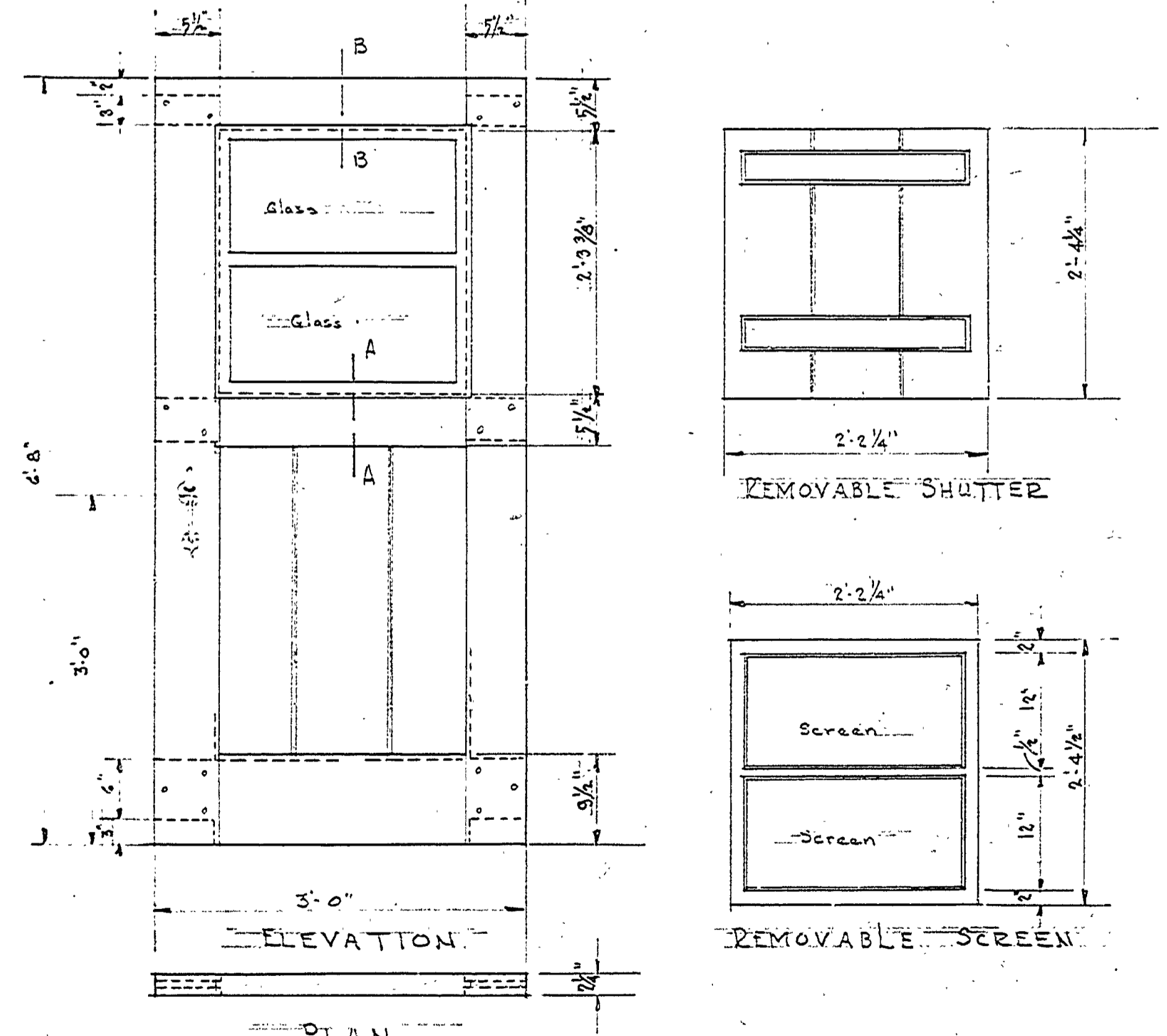
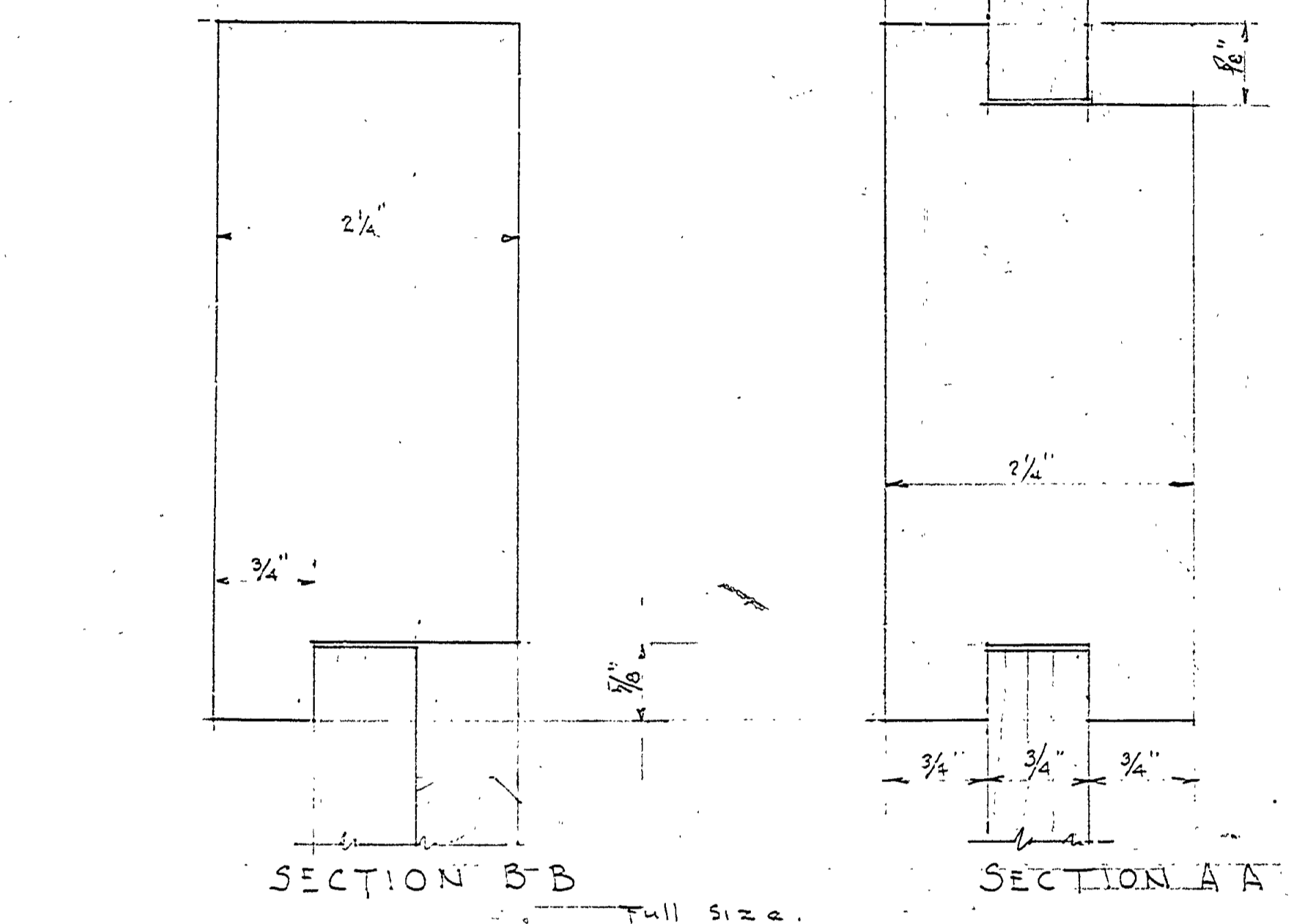
DATE	CHECKED BY	DATE	APPROVED BY
6/21/48	[Signature]	6/21/48	[Signature]



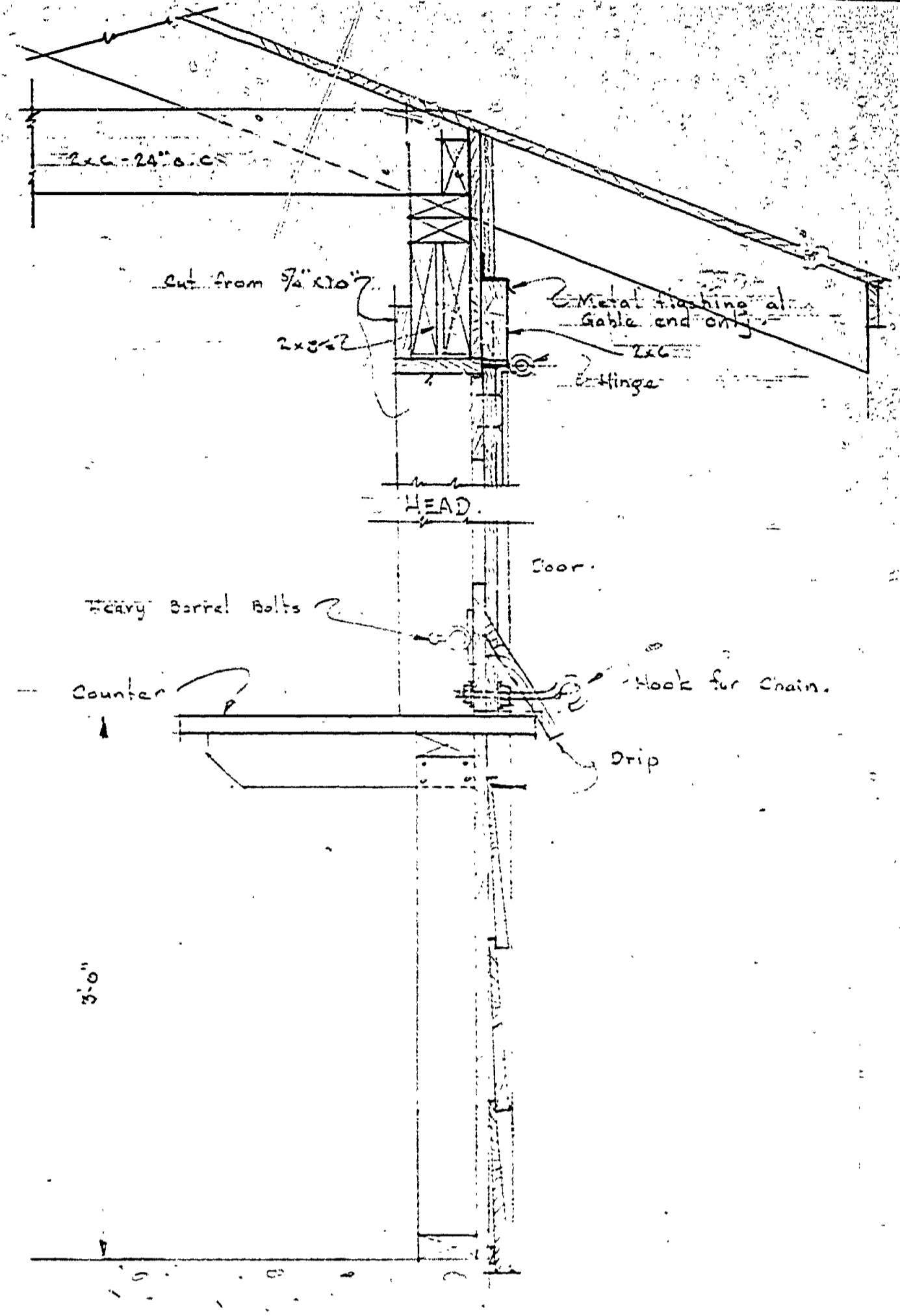
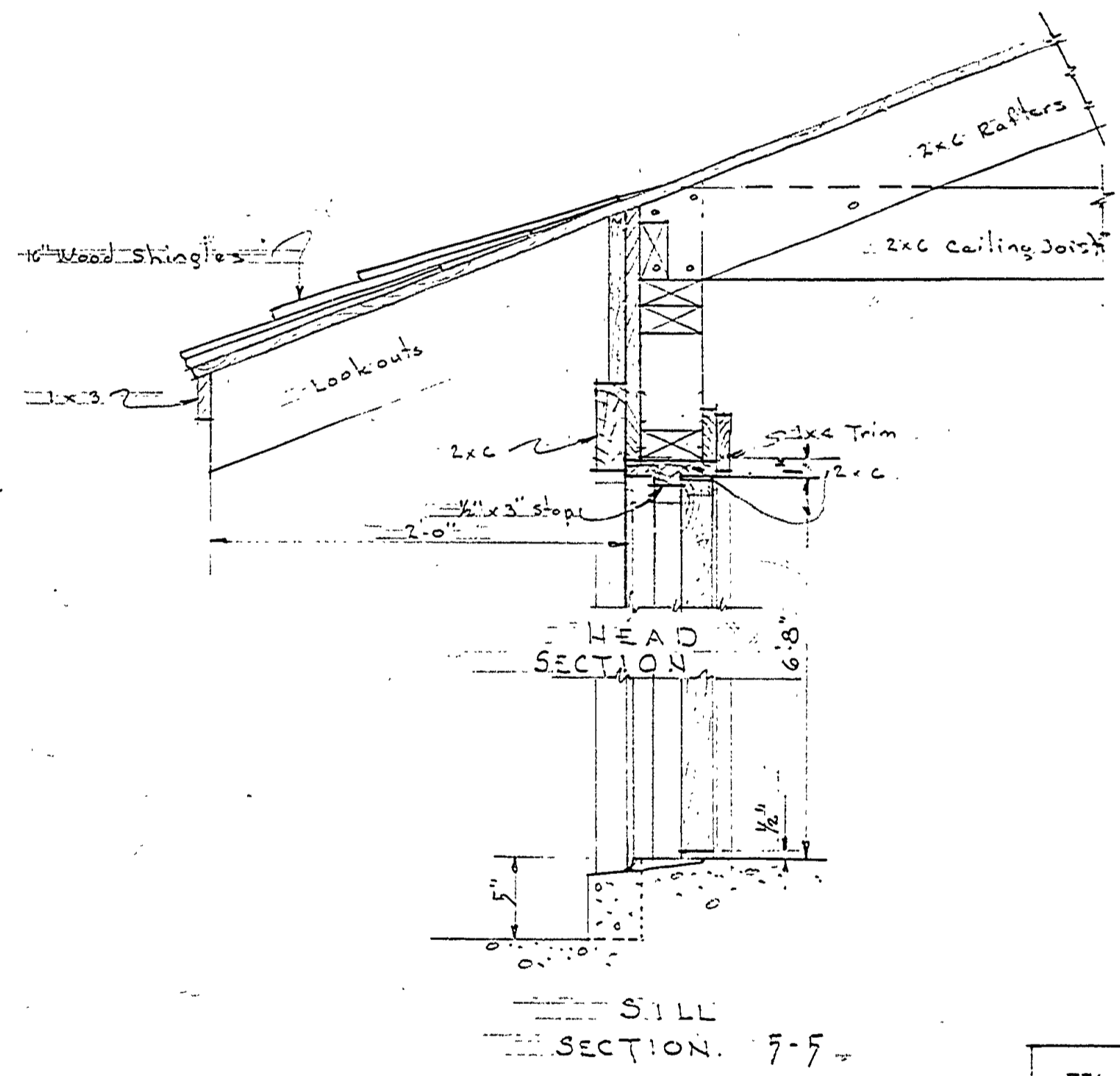
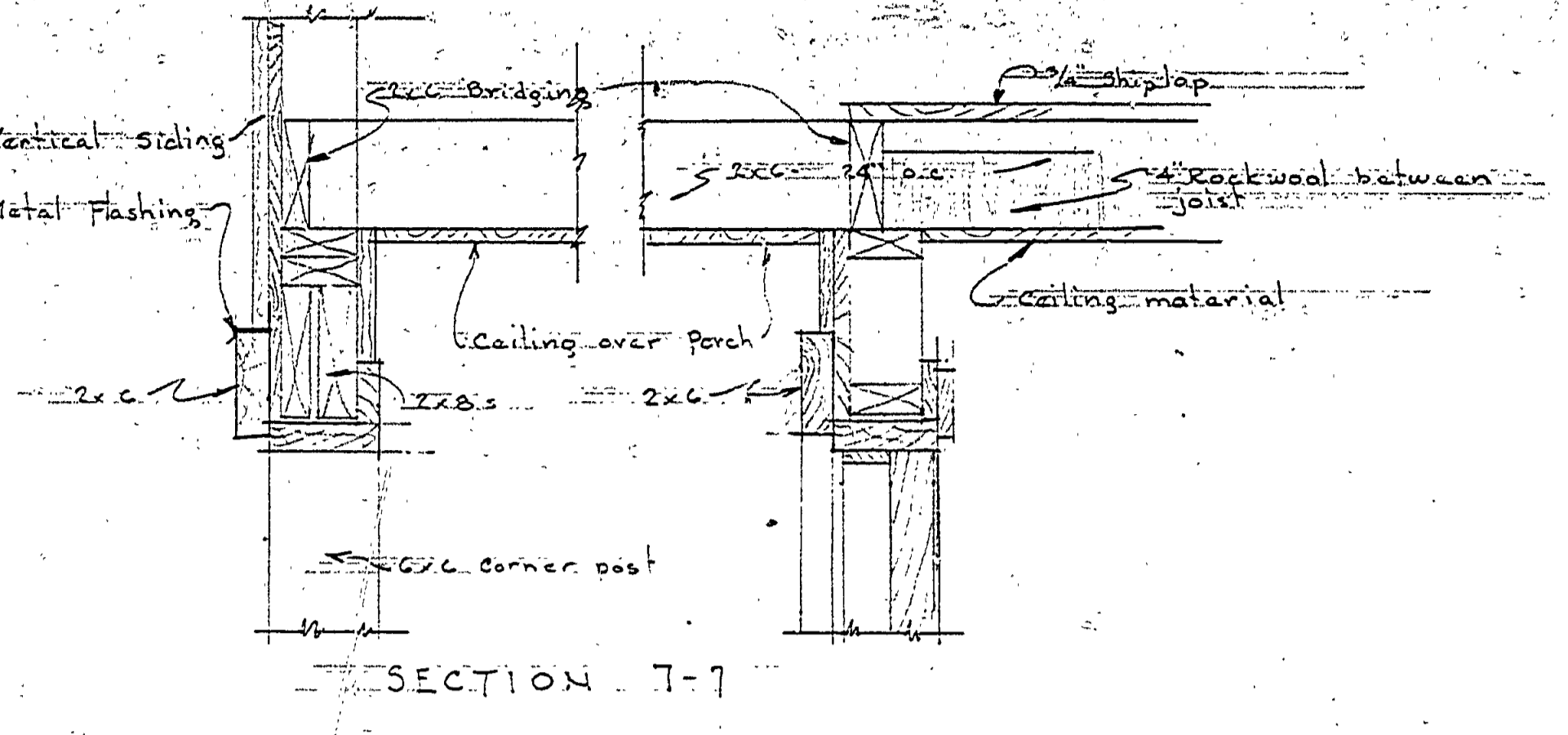
LOUVRE DETAIL
Scale: 1/4" = 1'-0"



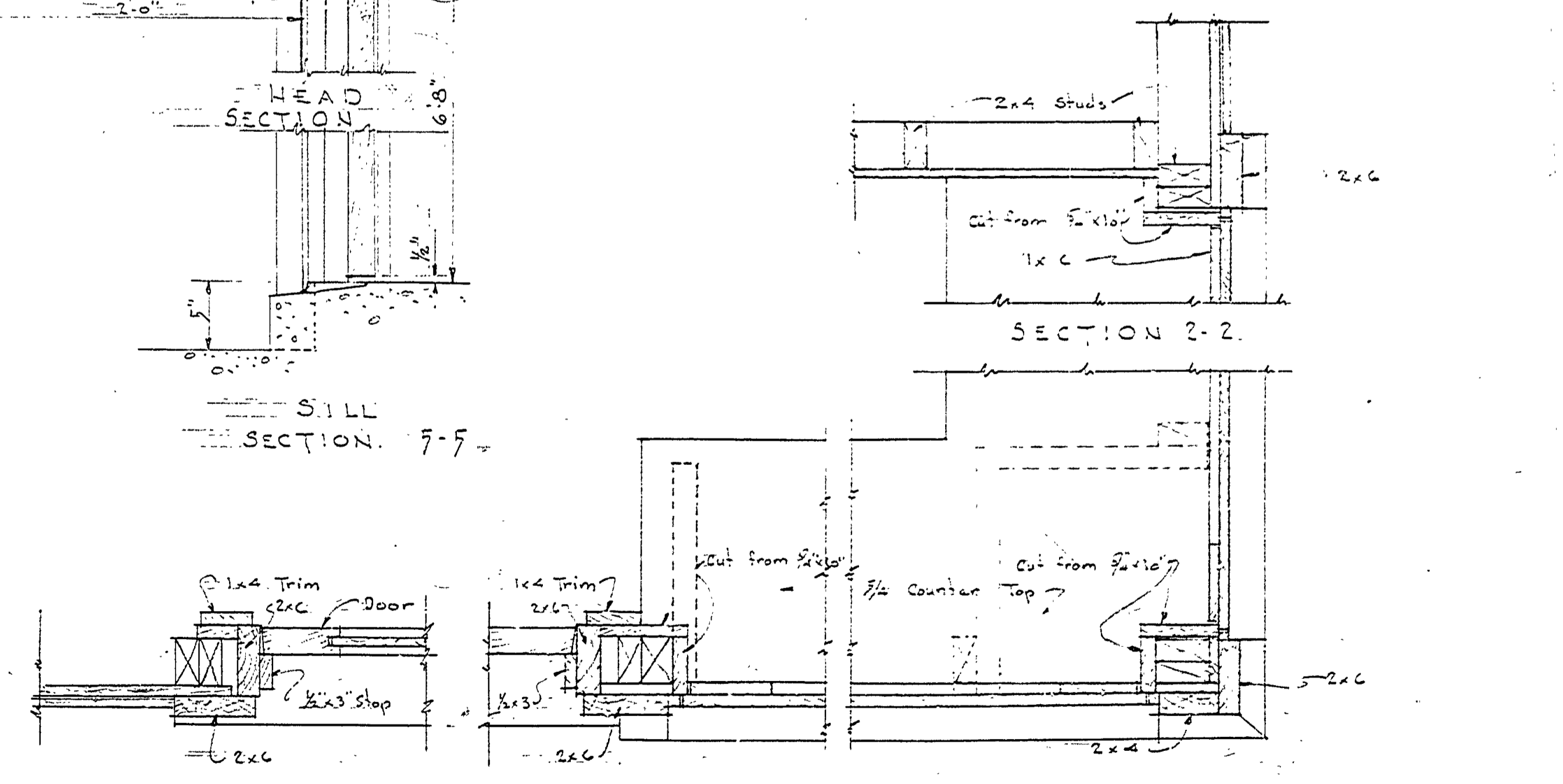
TYPICAL DETAILS STEEL SASH.
Scale: 1/4" = 1'-0"



DOOR DETAIL
Scale: 1/4" = 1'-0"



SECTION 1-1 THRU COUNTER



DETAILS OF OPENING
Scale: 1/4" = 1'-0"