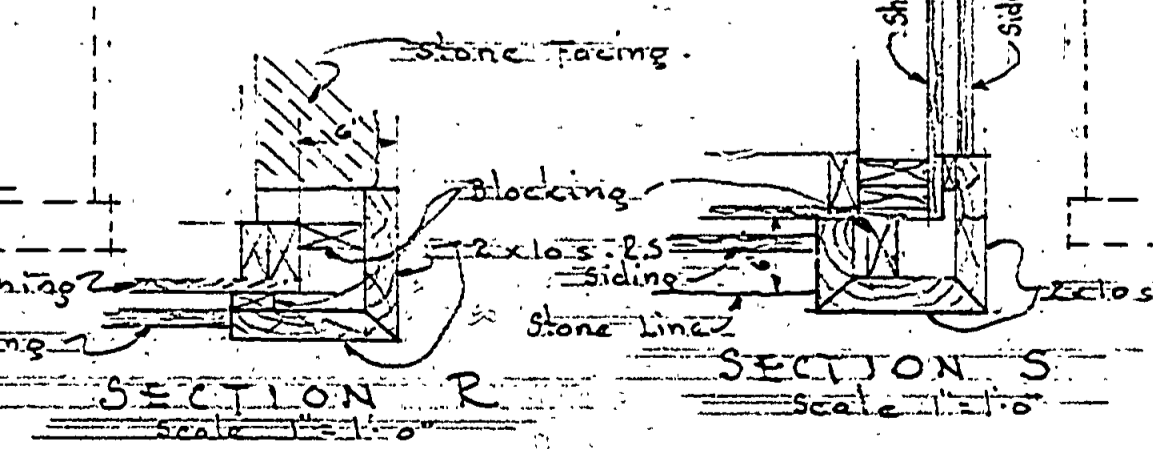
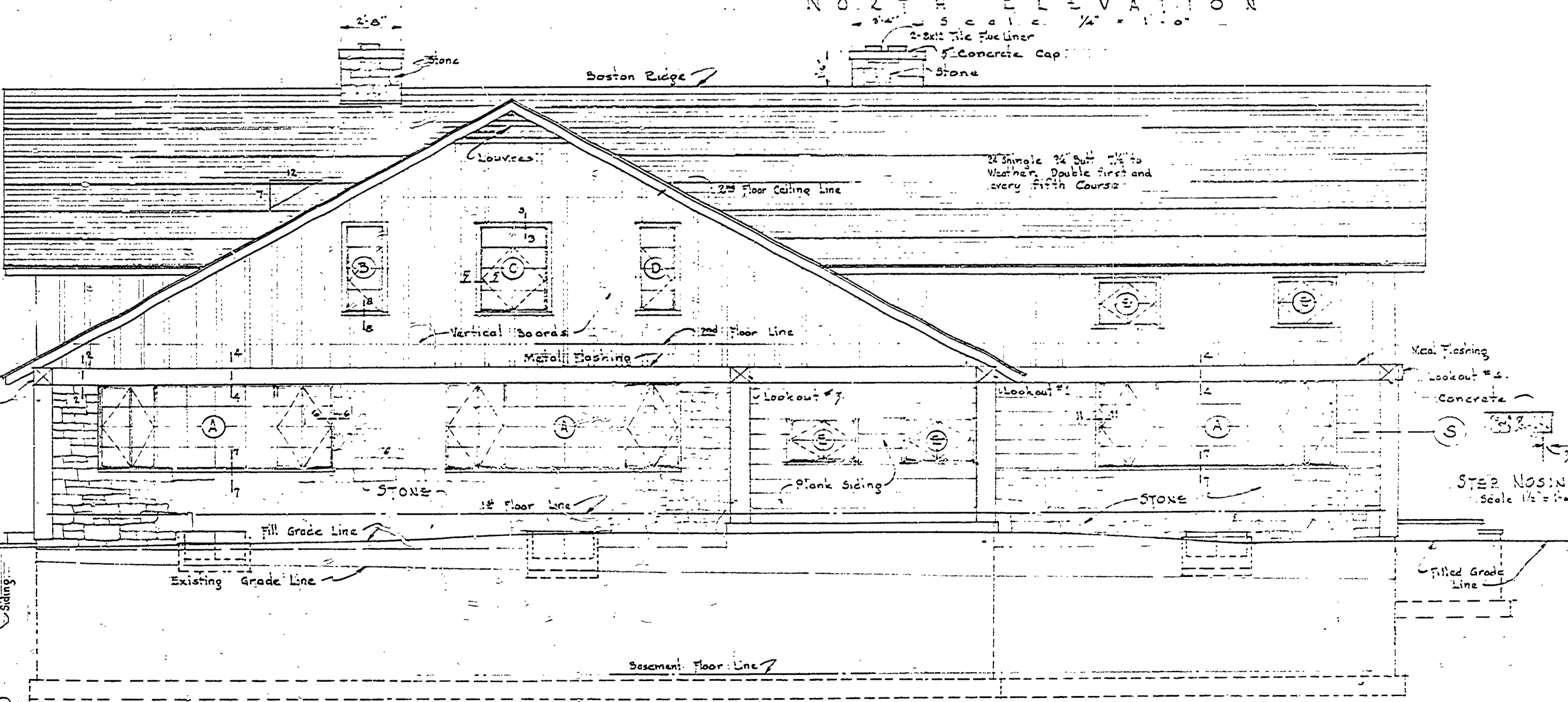
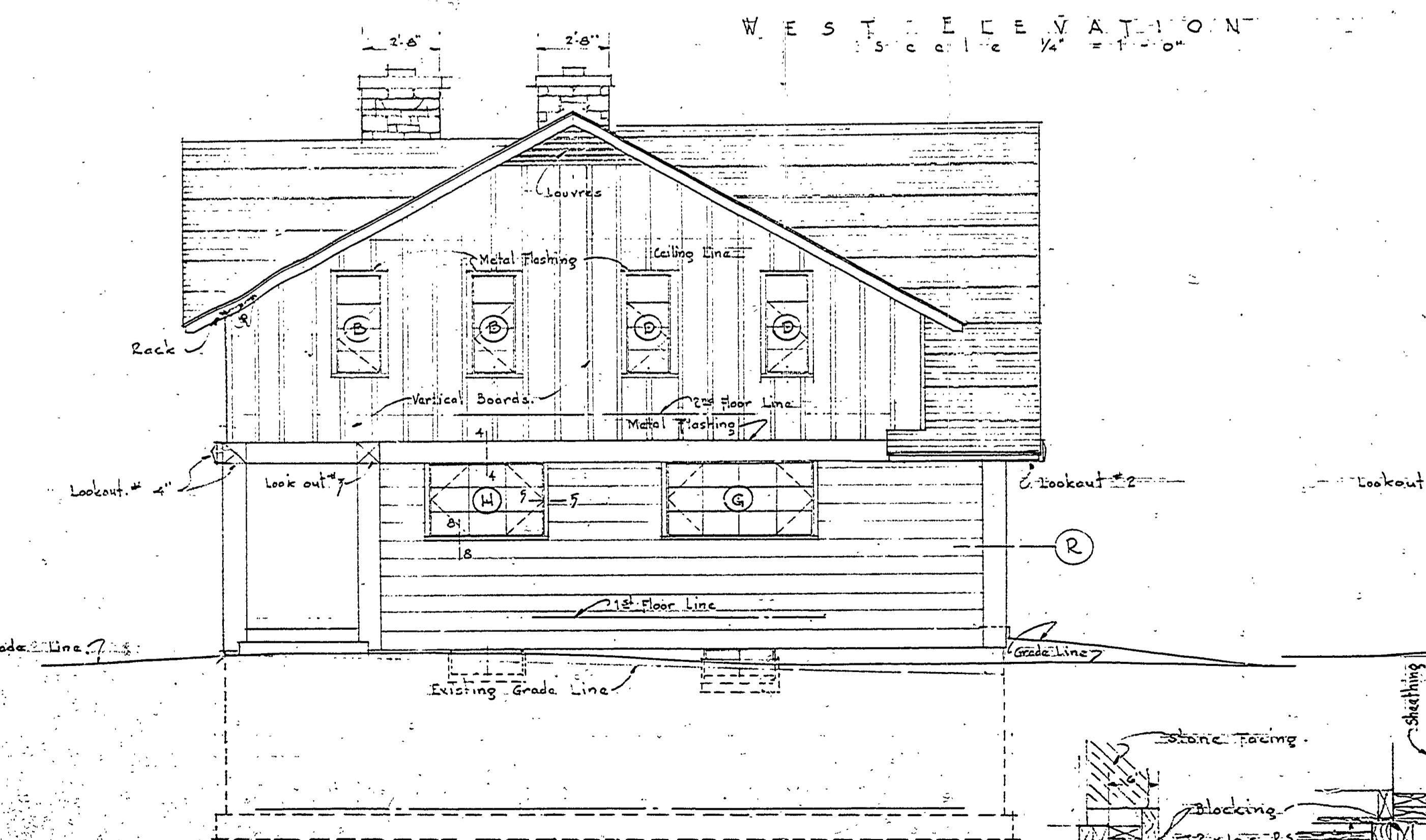
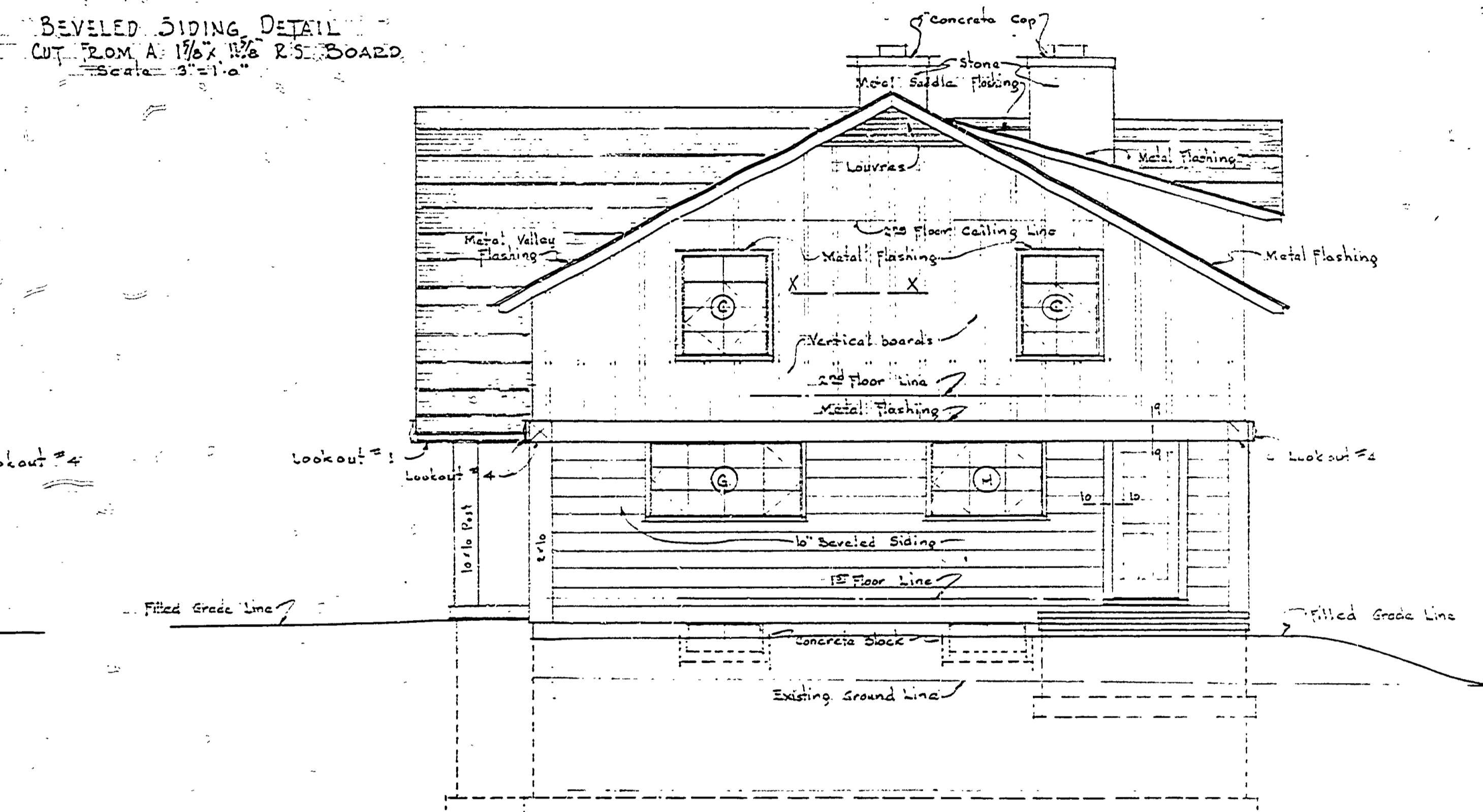
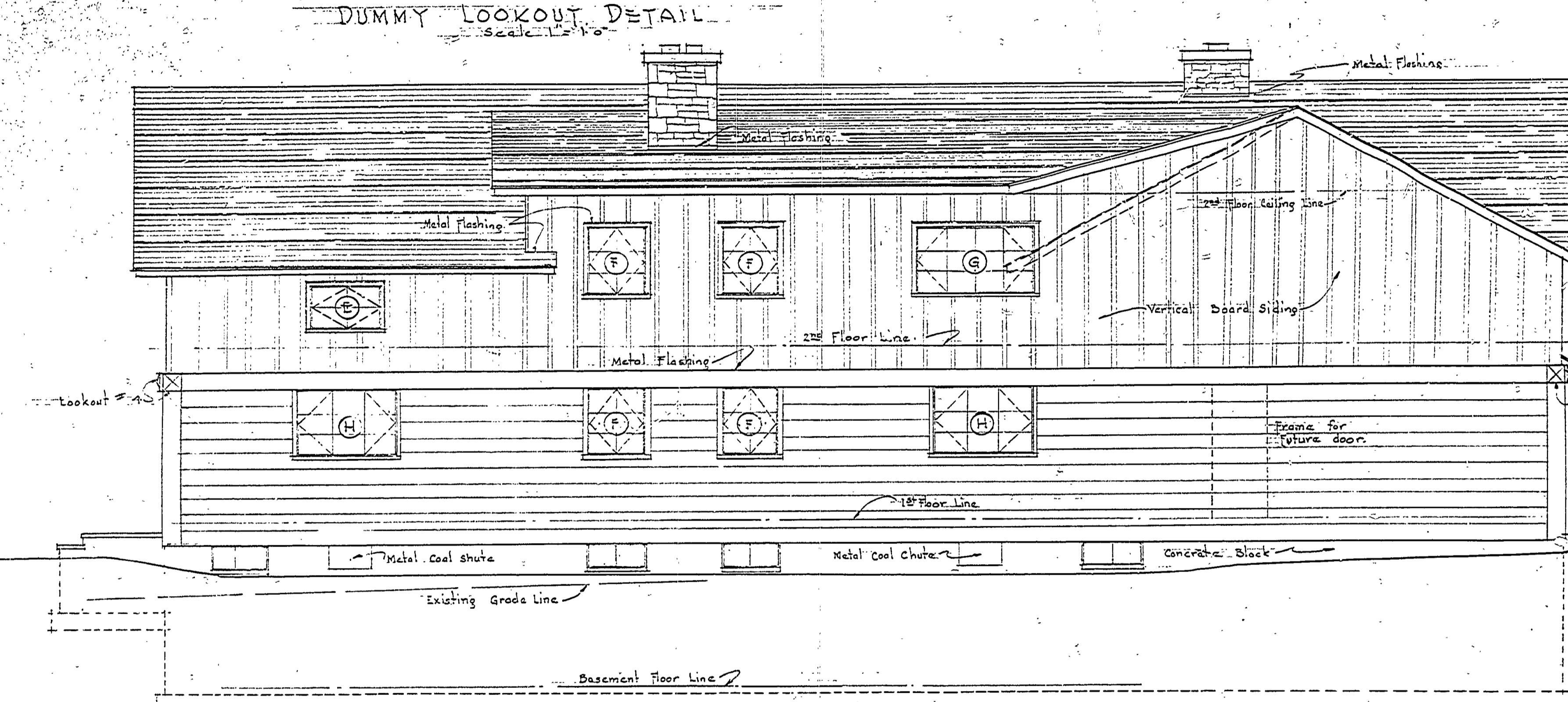
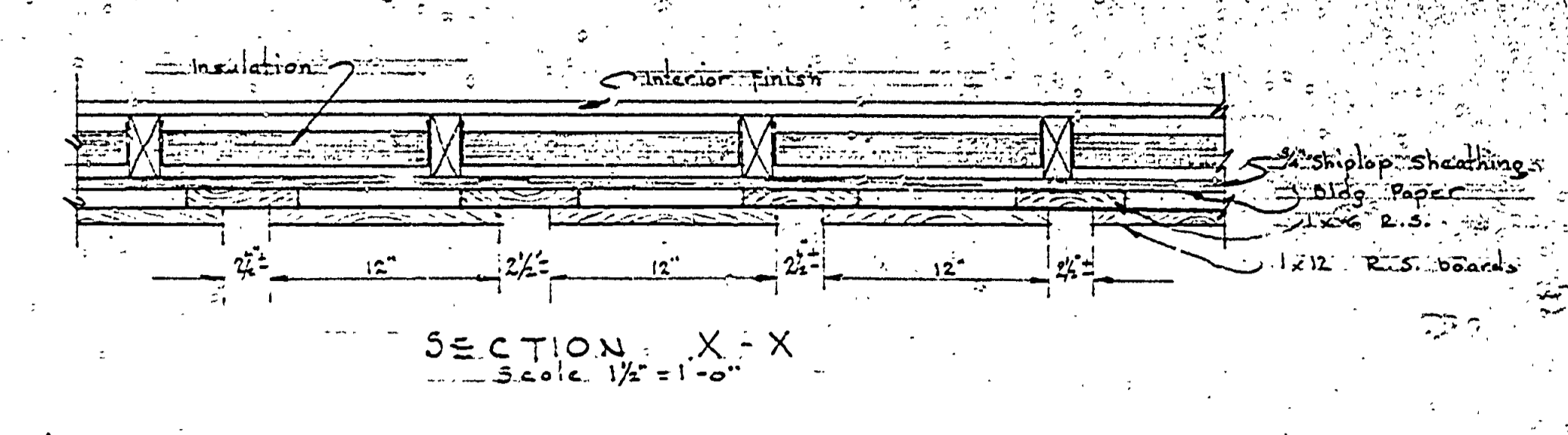
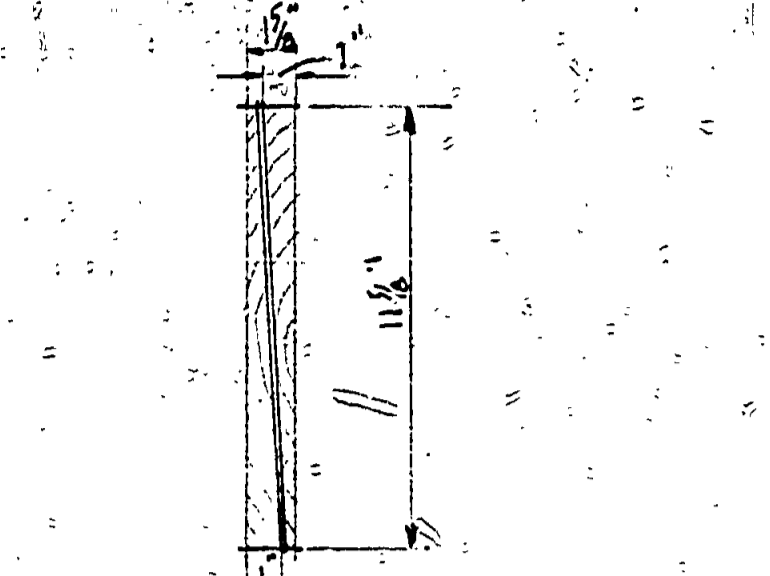
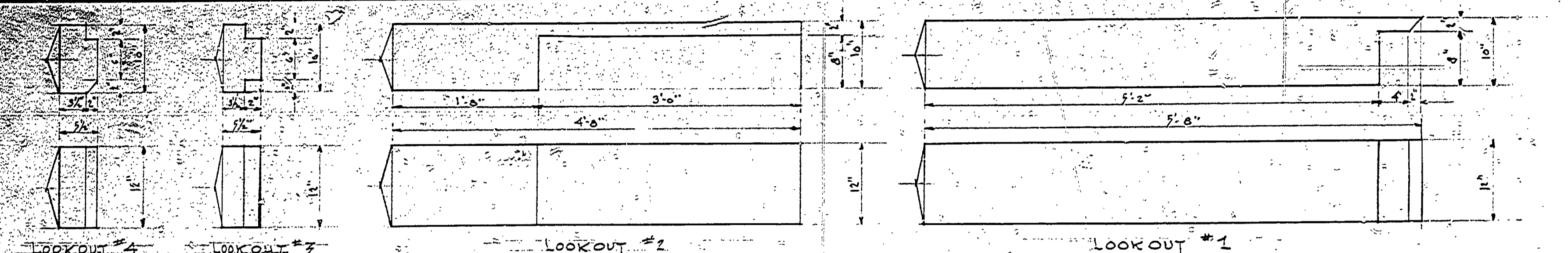


NO.	DATE	BY	REVISIONS
1			
2			
3			
4			
5			
6			

APPROVED BY: *[Signature]*
 DATE: 6-6-52
 ASSISTANT CHIEF IN CHARGE
 OF DESIGN
 REVIEWED BY SECTIONS:
 ARCHITECTURAL: J.P.R. 6-6-52
 ENGINEERING: H.C.M. 10/14/52
 LANDSCAPE: J.T.R. 6-6-52
 DRAWN BY: J.W.M. 6-6-52
 CHECKED BY: J.C.S. 6-6-52
 DATE: 6-6-52



EAST ELEVATION scale 1/4" = 1'-0"

MICHIGAN DEPARTMENT OF CONSERVATION PARKS AND RECREATION DIVISION

PORCUPINE MOUNTAINS STATE PARK STAFF QUARTERS

SHEET NO. 4 OF 8 PLAN NO. A-109