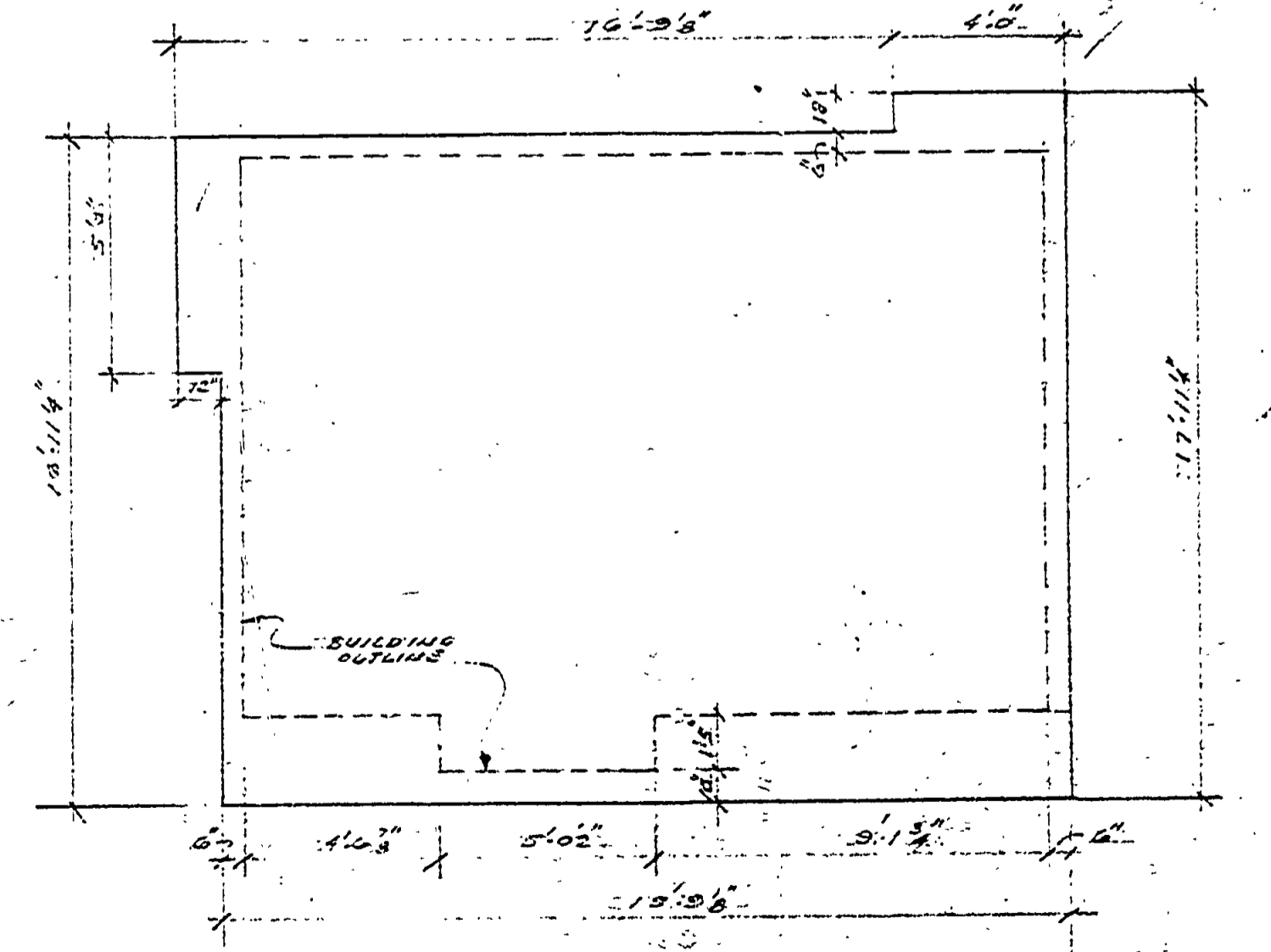
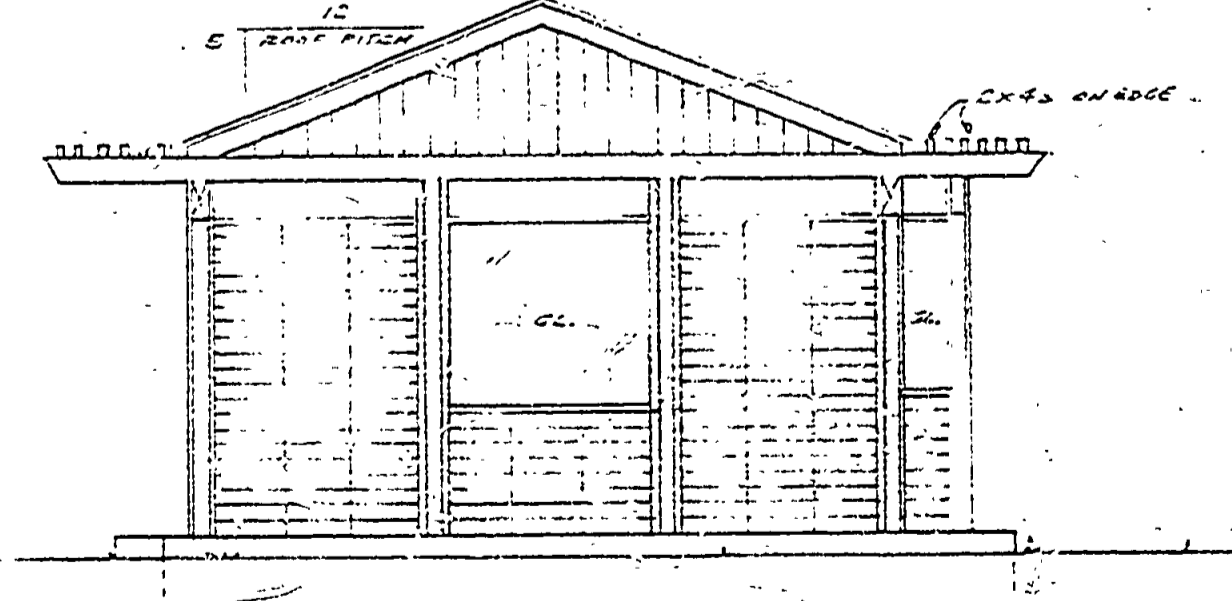
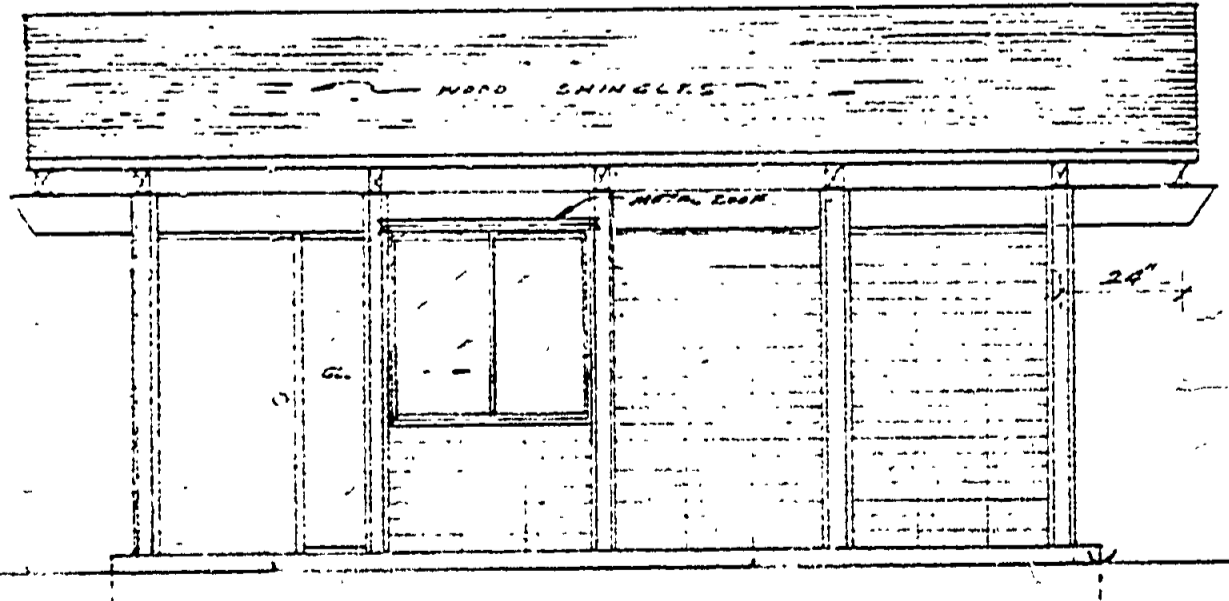
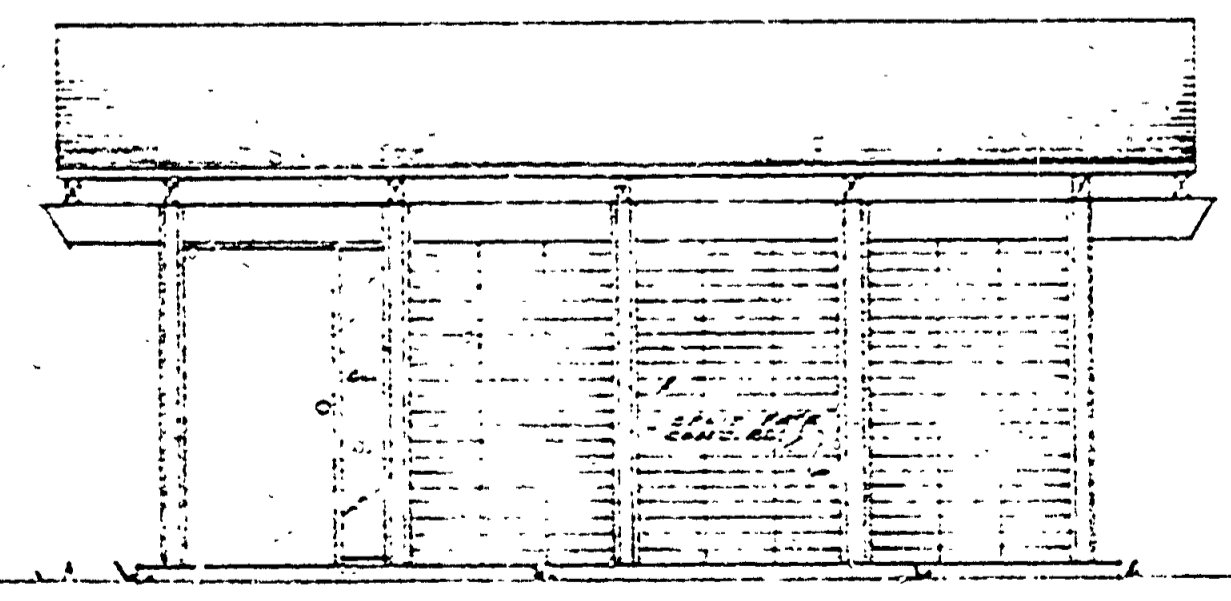
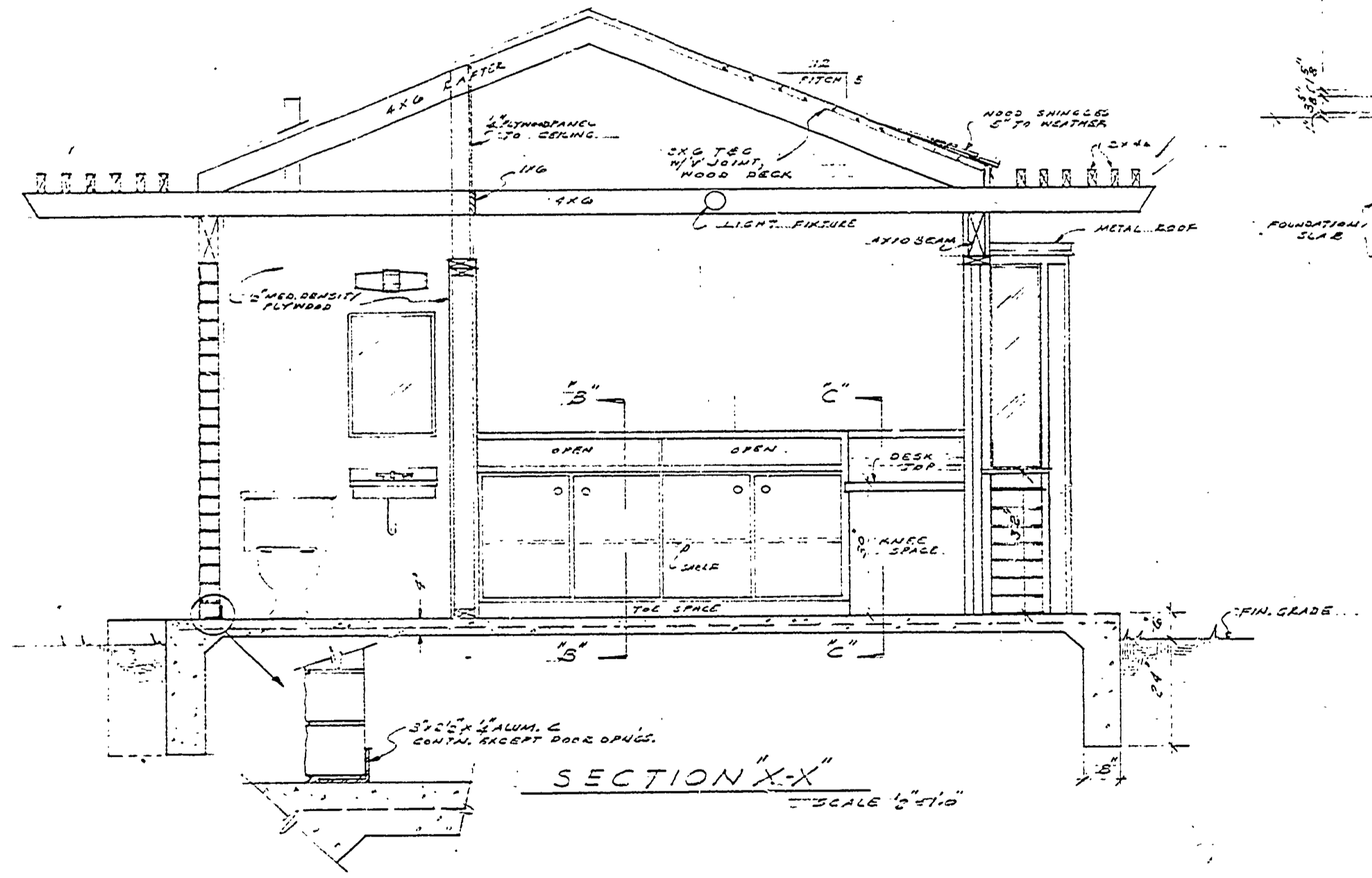
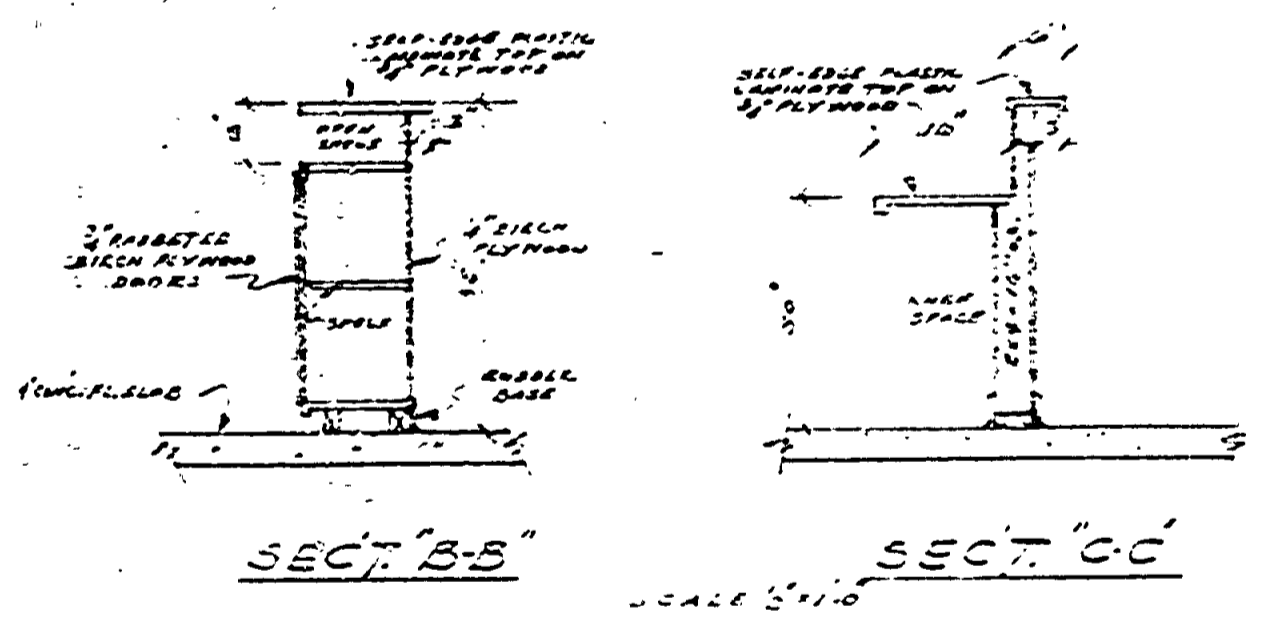
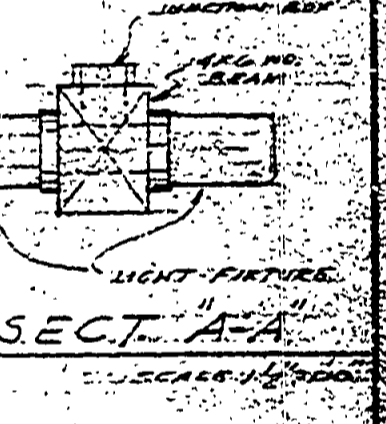
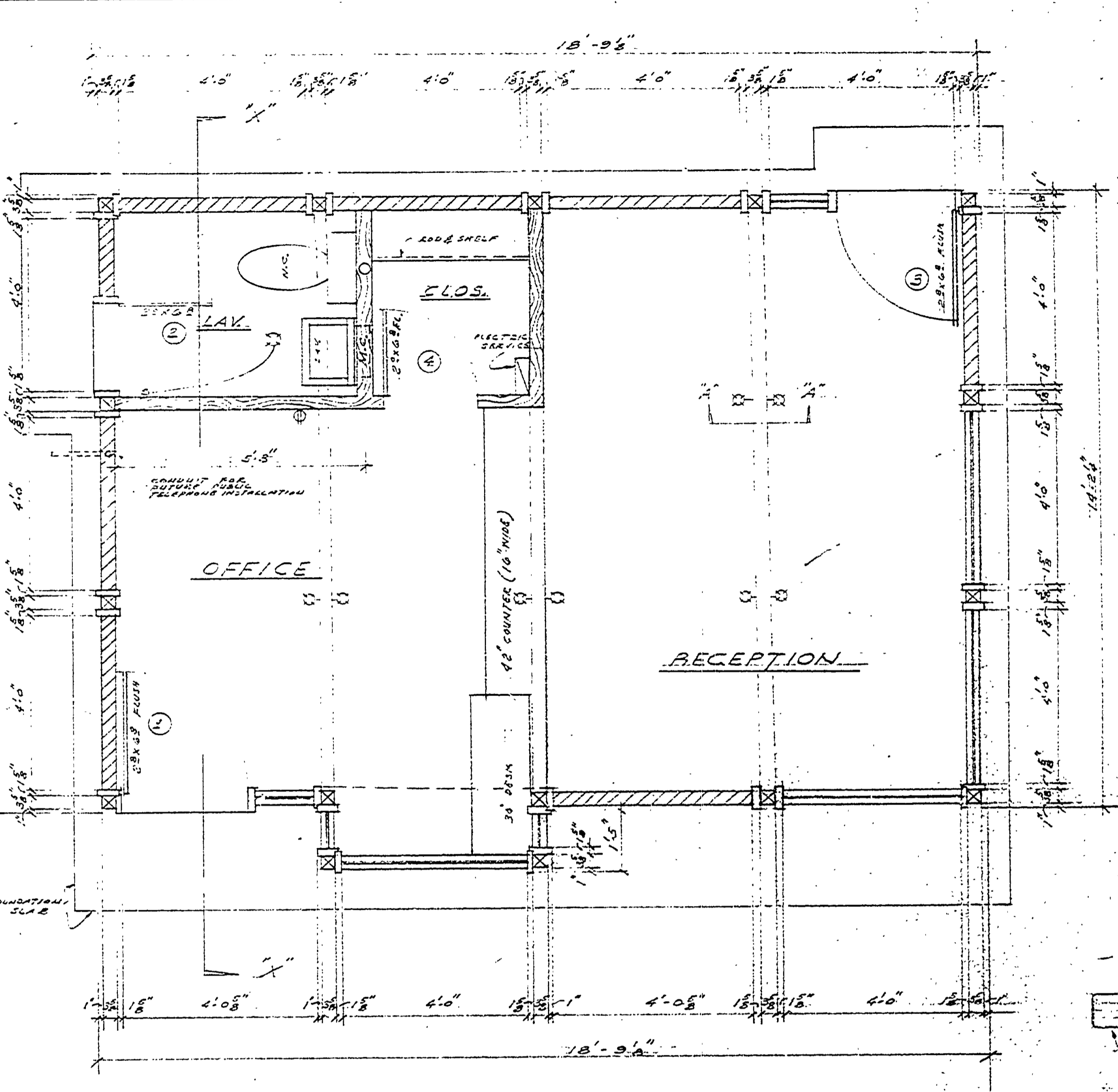
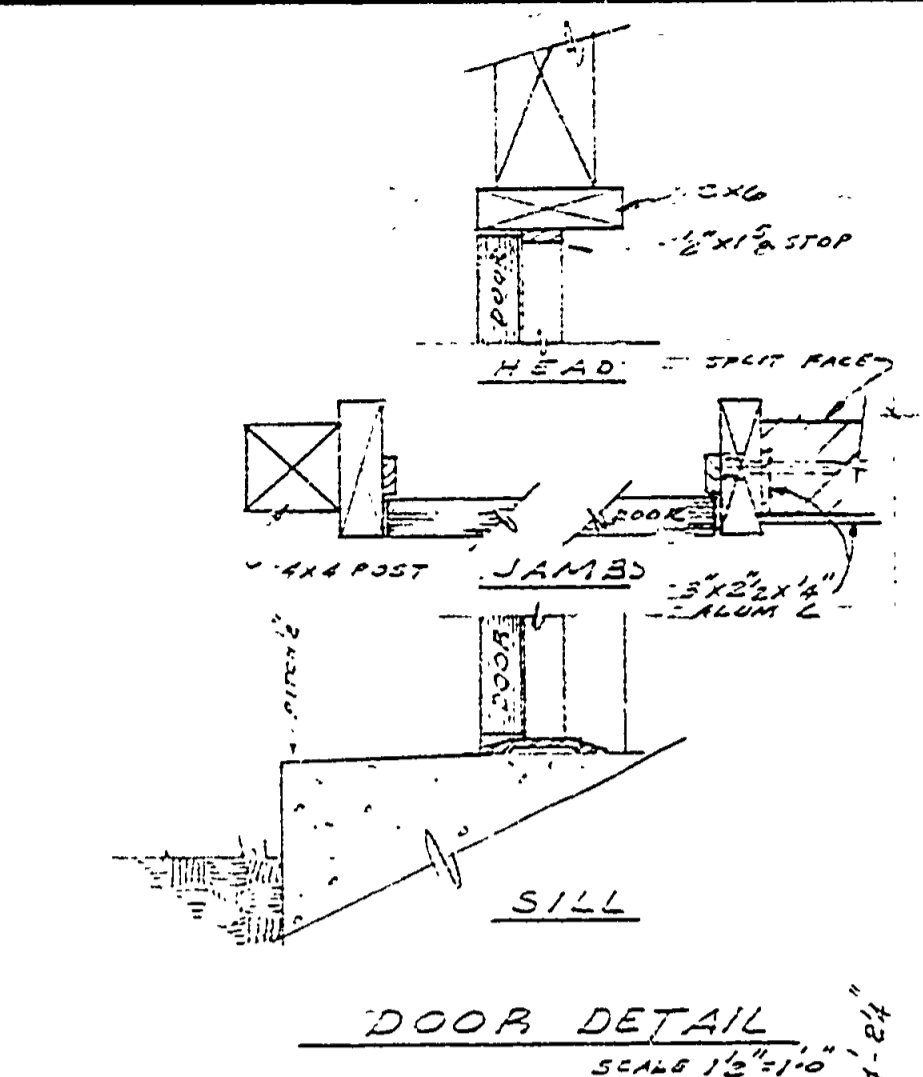
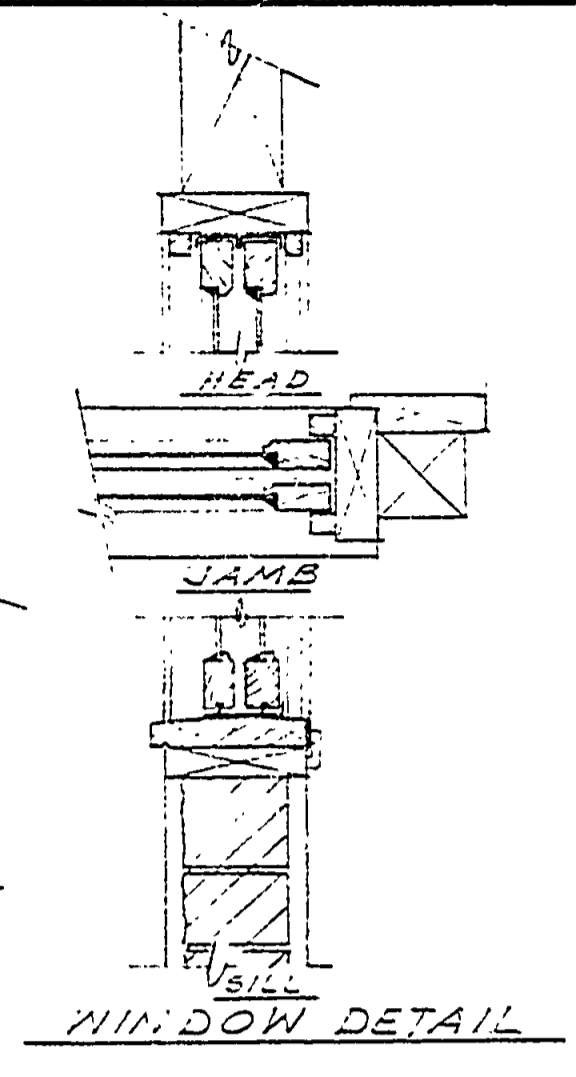
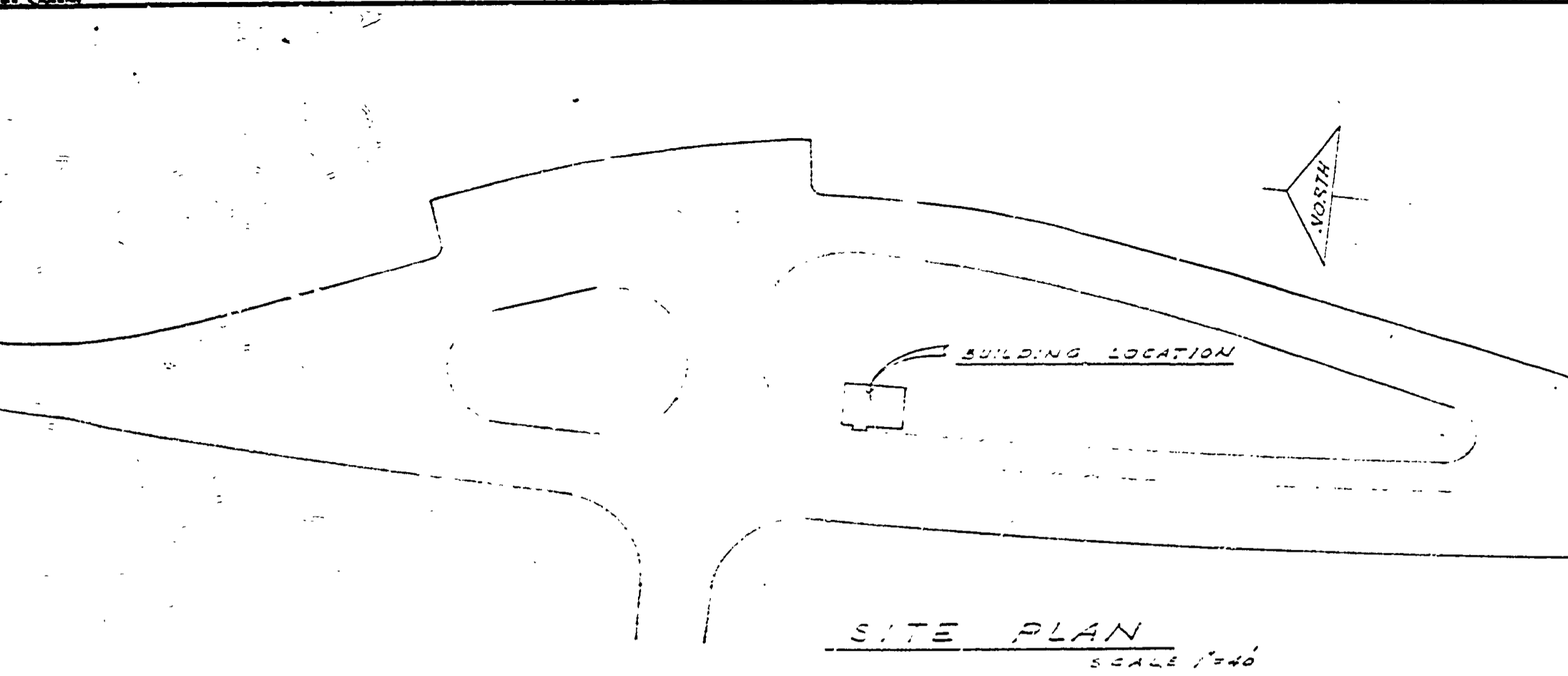


DATE	REVIEWED	DATE	APPROVED	DATE	NO.	DATE	BY	REVISIONS	DATE	BY
2-21-44	ARCHITECTURAL	2-21-44	[Signature]	7-21-44	1			4		
2-21-44	ENGINEERING	2-21-44	[Signature]	7-21-44	2			5		
2-21-44	LANDSCAPE	2-21-44	[Signature]	7-21-44	3			6		



DESIGNED BY G. R. C.  
DRAWN BY G. F. D.  
CHECKED BY W. M. G.

DATE 2-21-44  
REVIEWED ARCHITECTURAL  
ENGINEERING  
LANDSCAPE

MICHIGAN  
DEPARTMENT OF CONSERVATION  
PARKS AND RECREATION DIVISION

PORCUPINE MOUNTAIN STATE PARK  
ENTRANCE BLDG.  
PRESQUE ISLE SECTION.

SHEET NO. 1 OF 1

PLAN NO. A-114