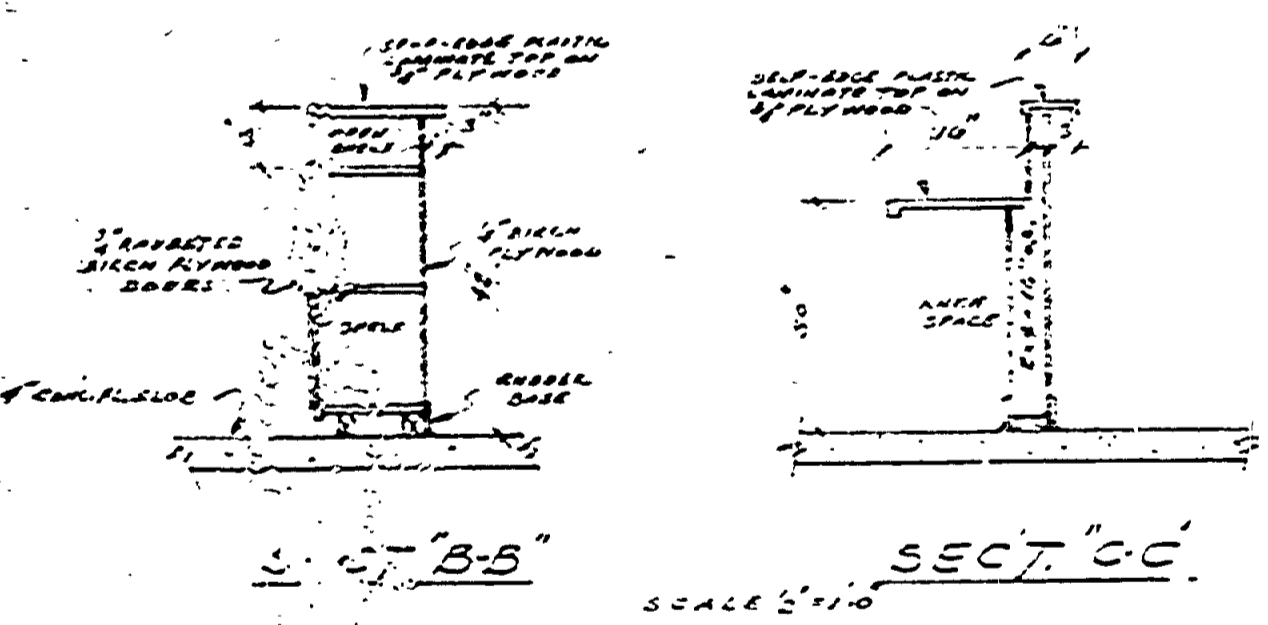
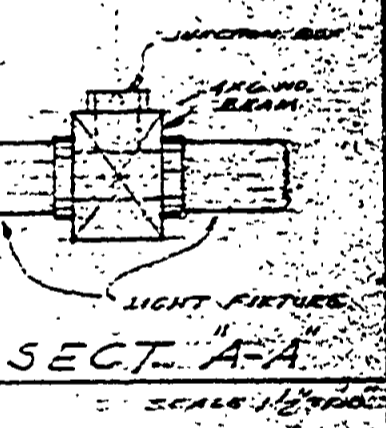
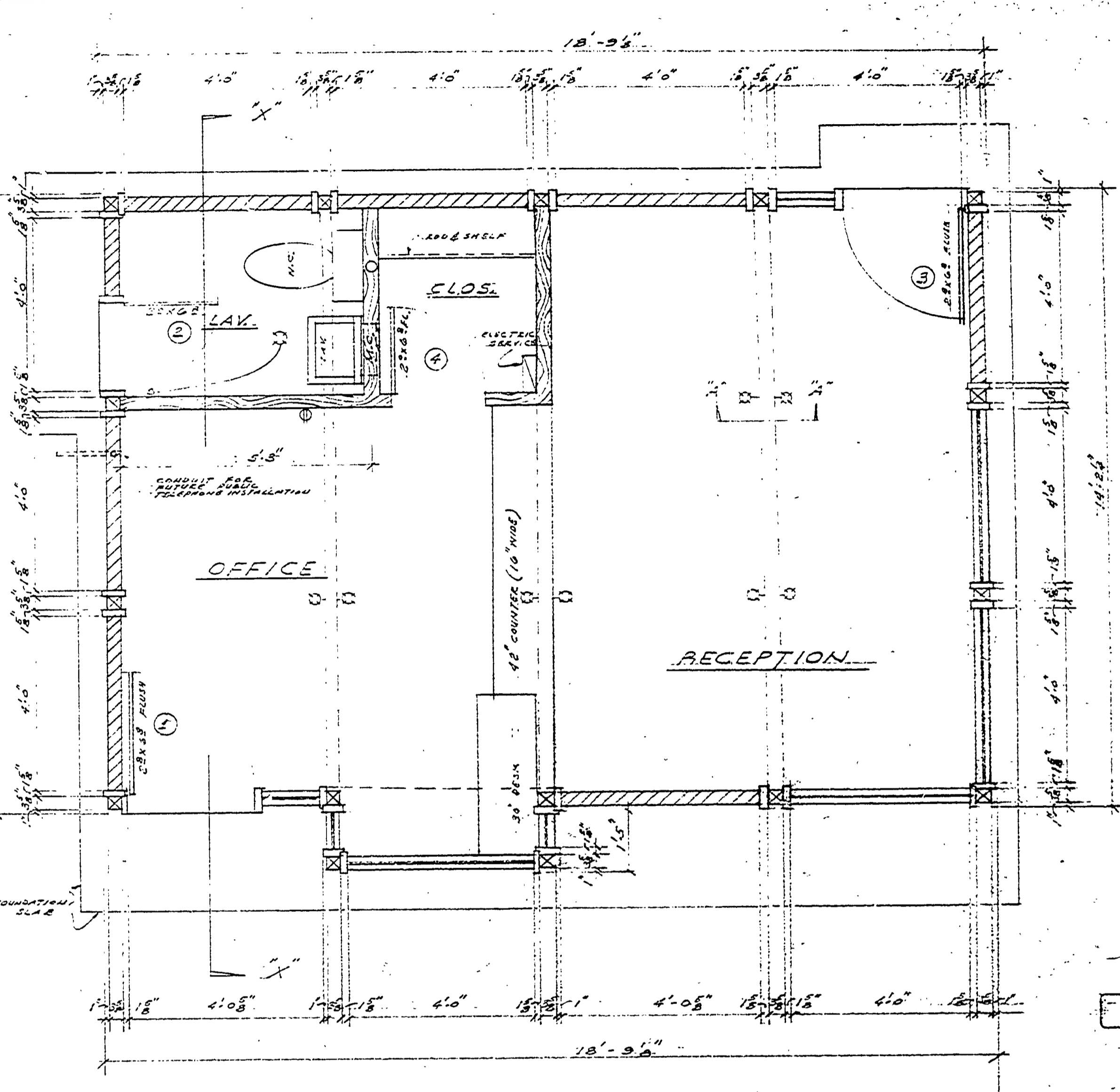
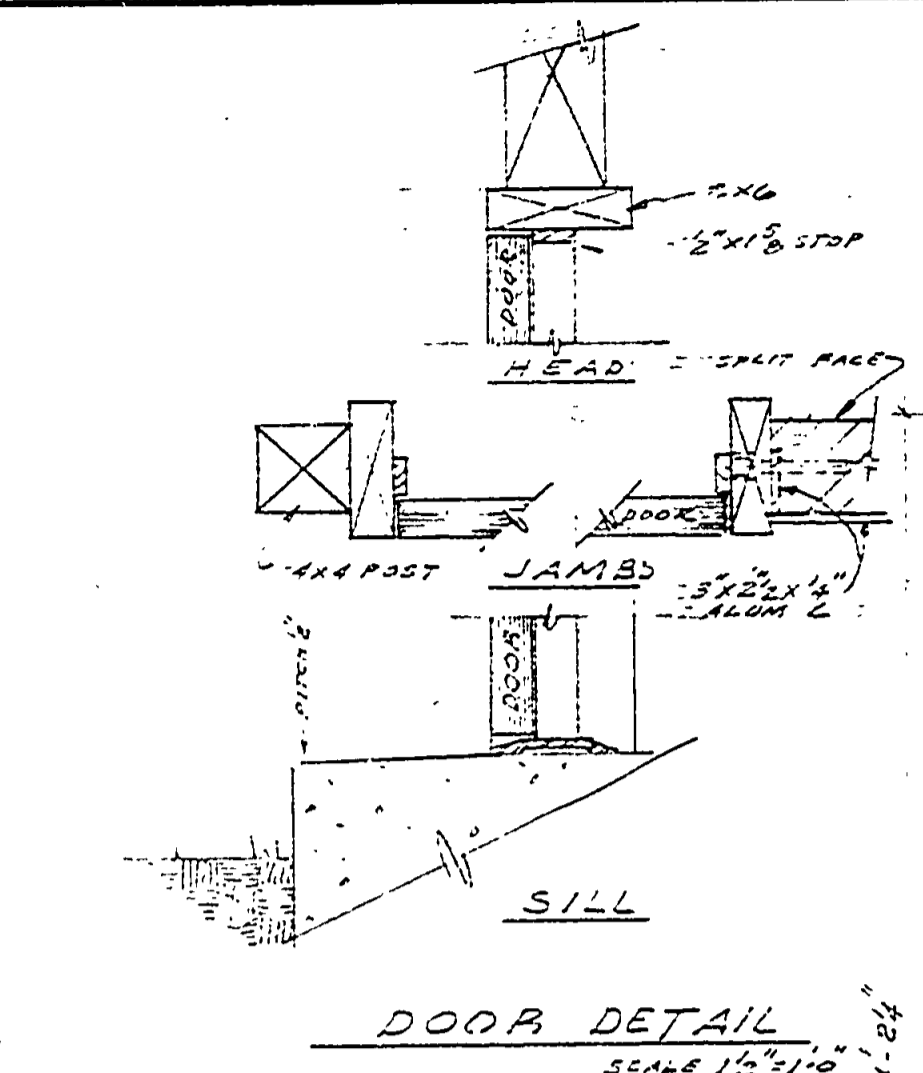
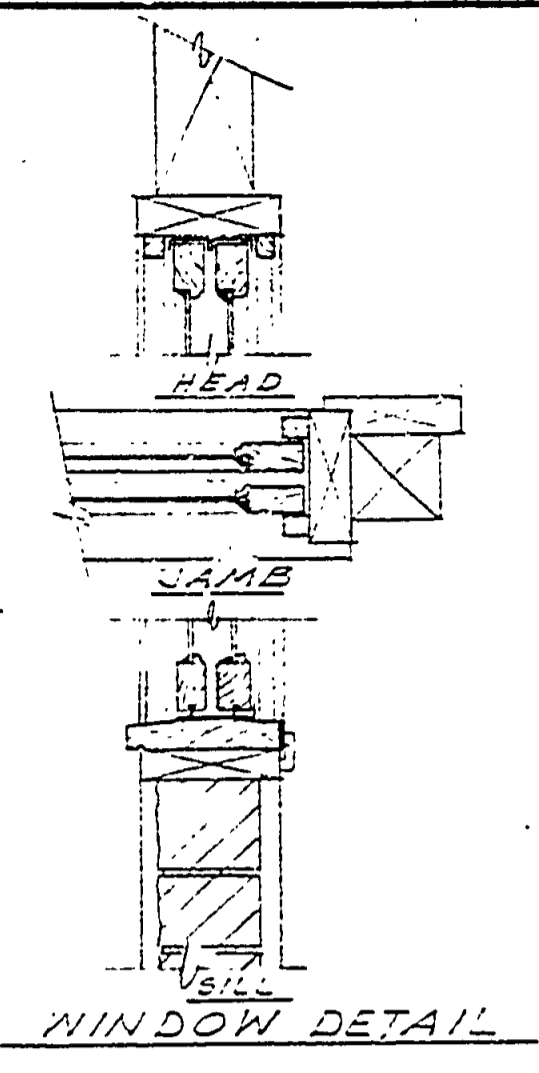
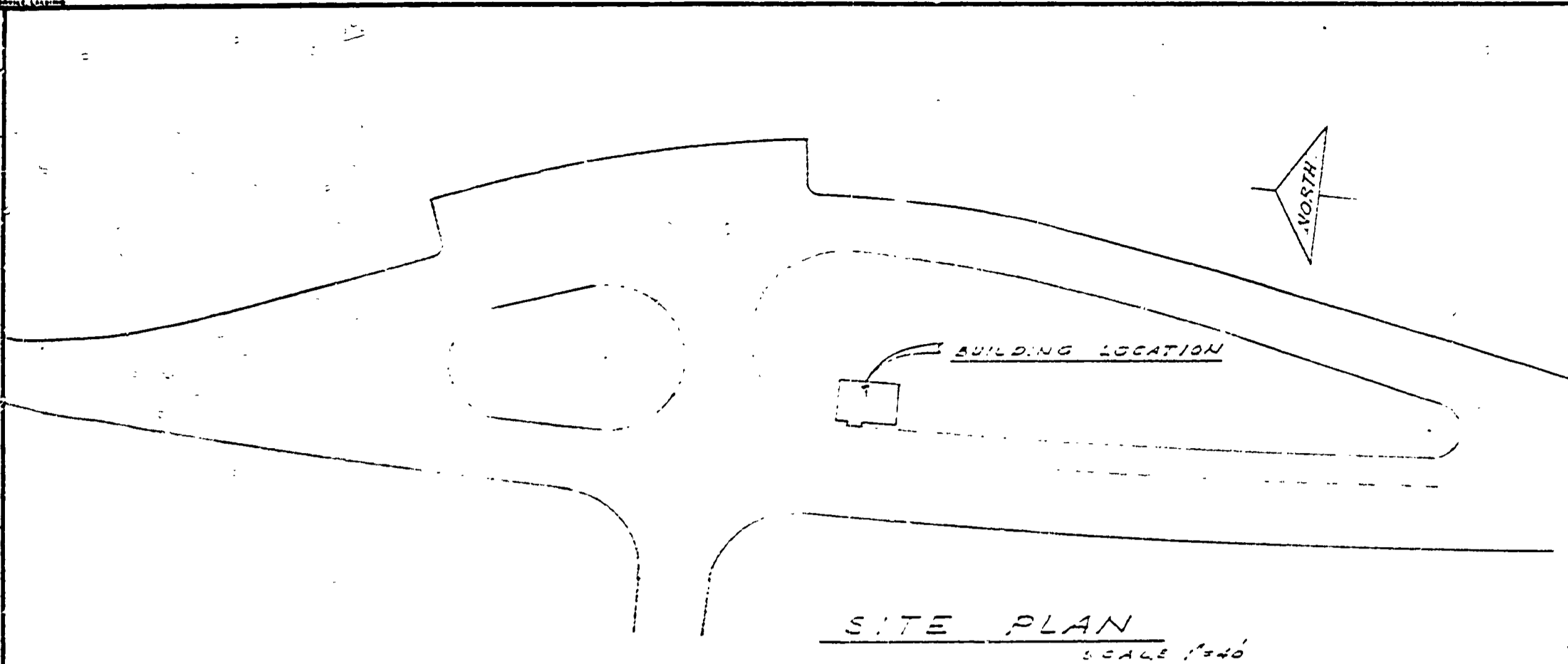
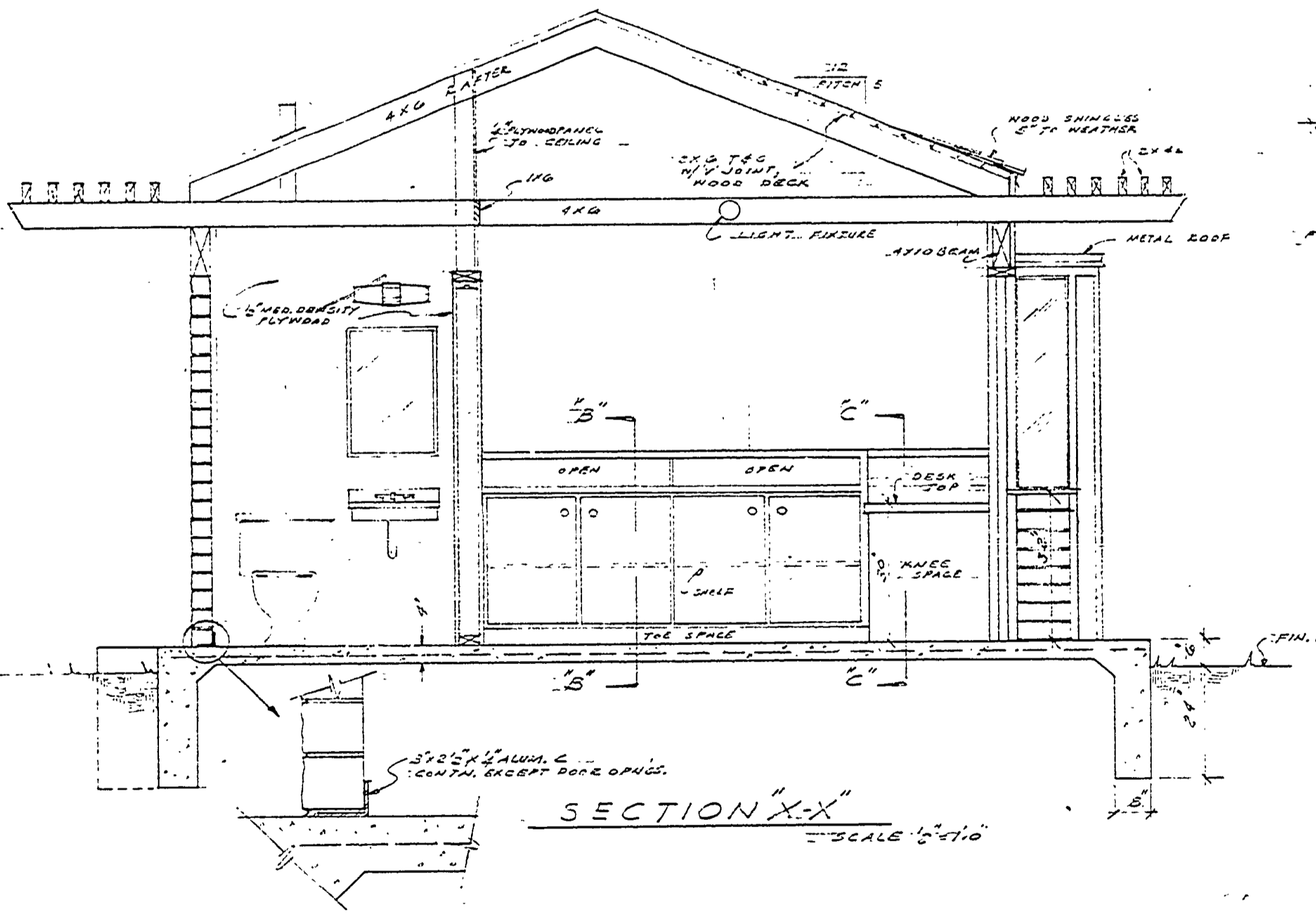


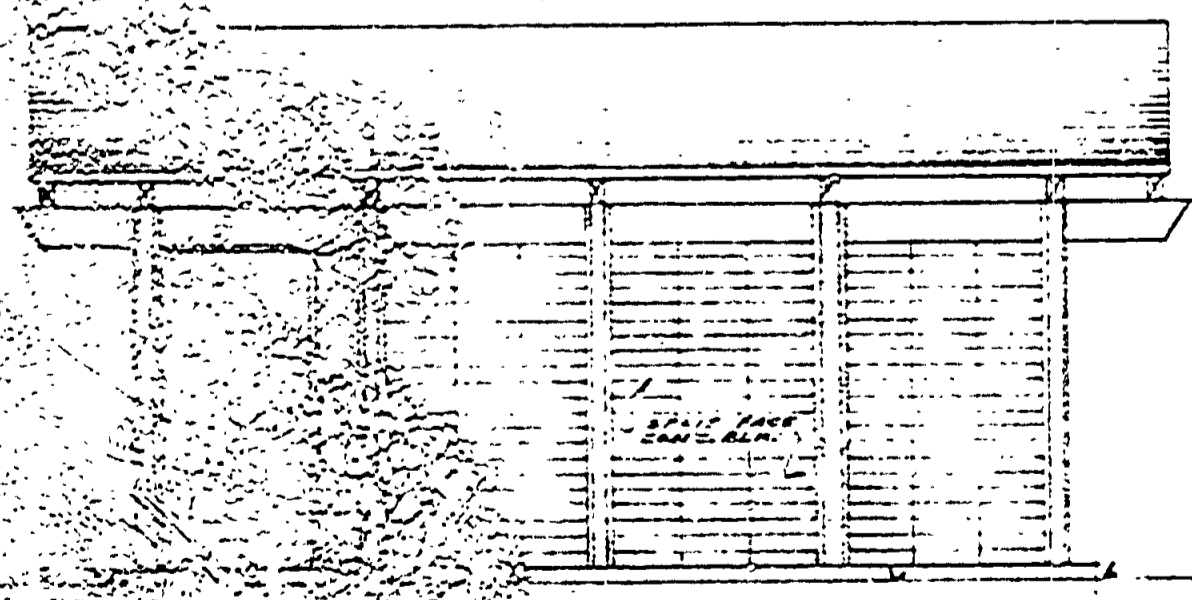
DATE	REVIEWED	DATE	APPROVED	DATE	NO.	DATE BY	REVISIONS
2-23-64	ARCHITECTURAL	2-23-64		1			4
2-23-64	ENGINEERING	2-23-64		2			5
2-23-64	LANDSCAPE	2-23-64		3			6



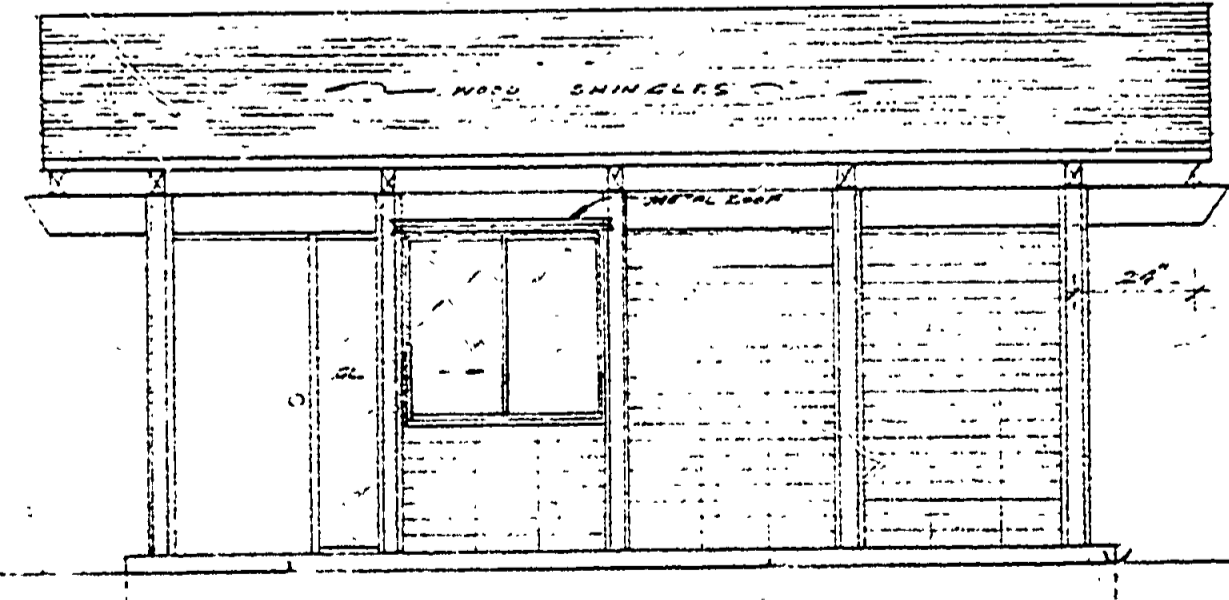
SECT. B-B
SCALE 1/2"



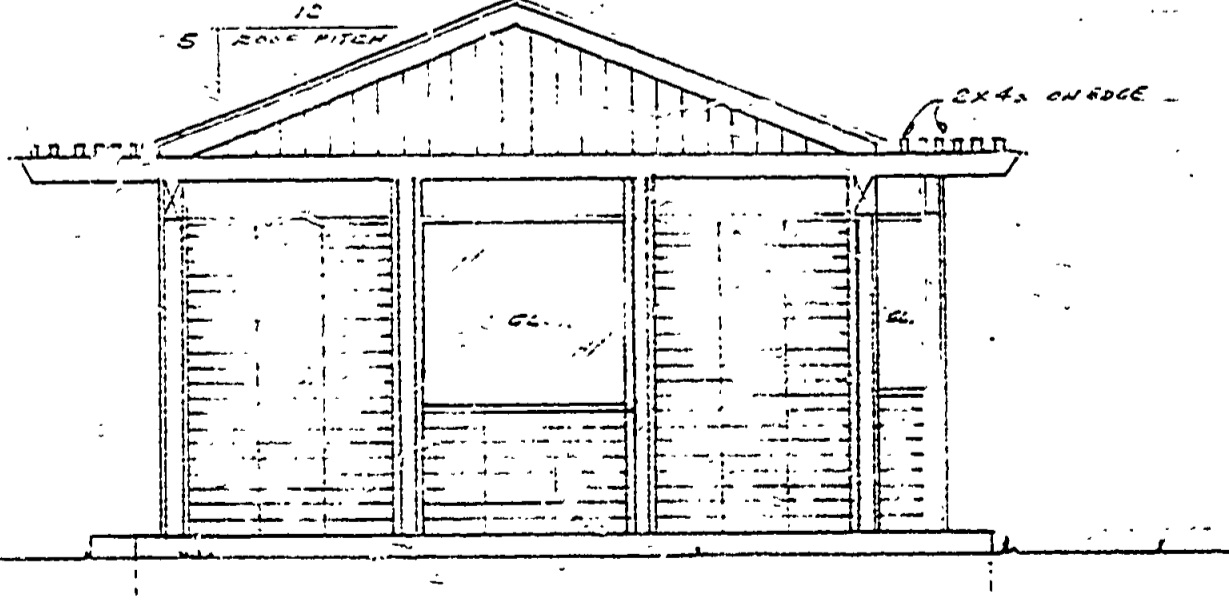
SECTION X-X
SCALE 1/2"



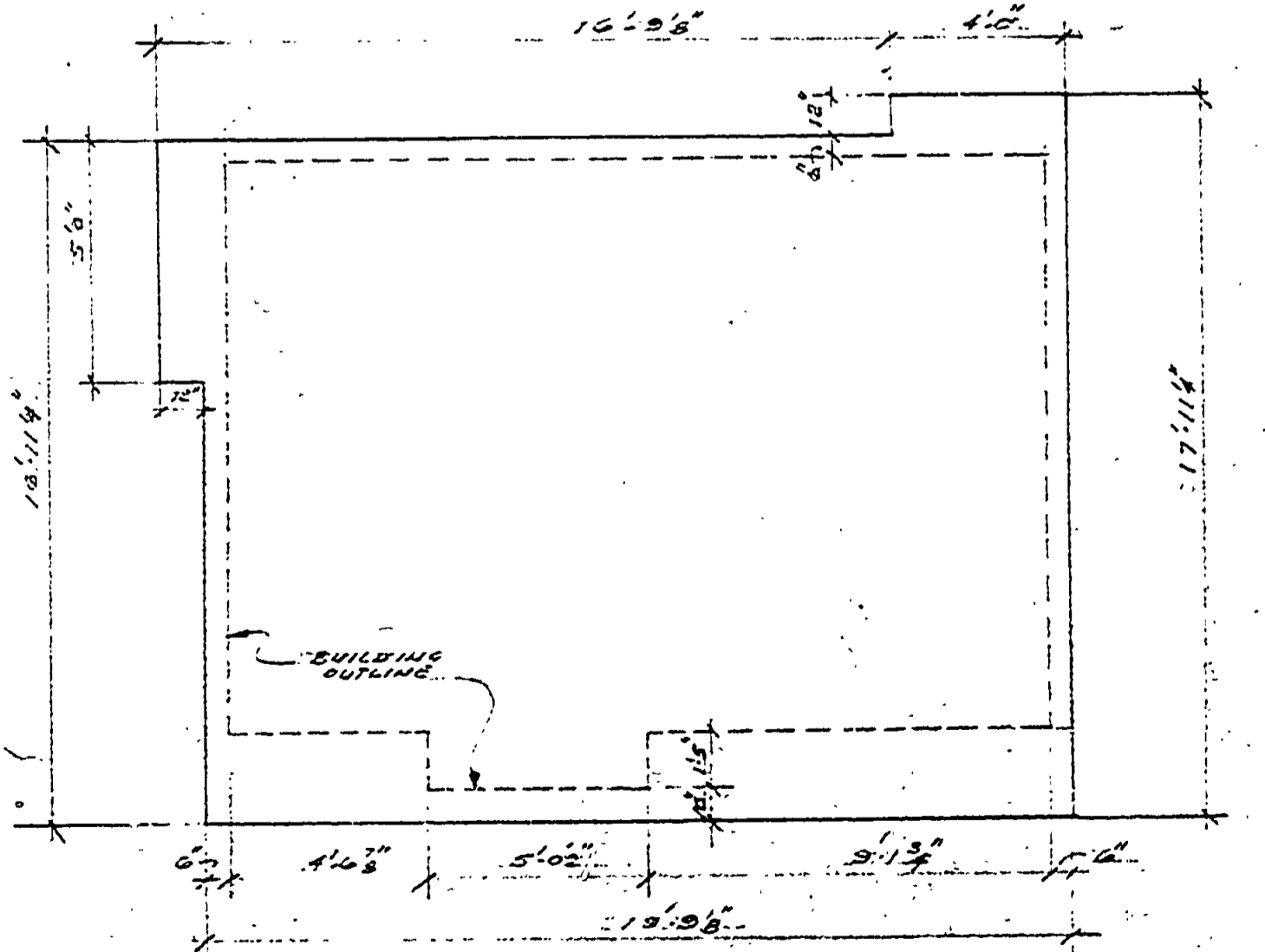
EAST ELEVATION
SCALE 1/2"



WEST ELEVATION
SCALE 1/2"



NORTH ELEVATION
SCALE 1/2"



FOUNDATION PLAN
SCALE 1/2"

MICHIGAN
DEPARTMENT OF CONSERVATION
PARKS AND RECREATION DIVISION

PORCUPINE MOUNTAIN STATE PARK
ENTRANCE BLDG.
PRESQUE ISLE SECTION.

SHEET
NO. 1
OF 1

PLAN NO.
A-114