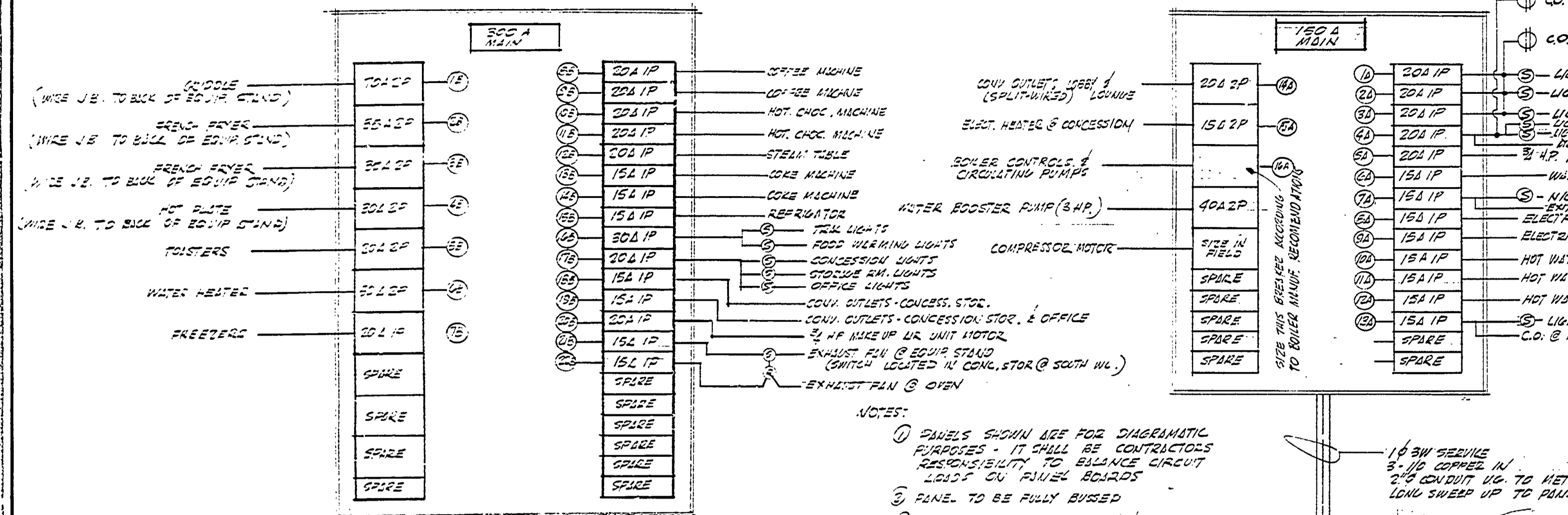


CONCESSION PANEL PANEL 'A'

500 AMP MAIN - 48 POLES MAX.

PARK PANEL PANEL 'B'

150 AMP MAIN - 30 POLES MAX.

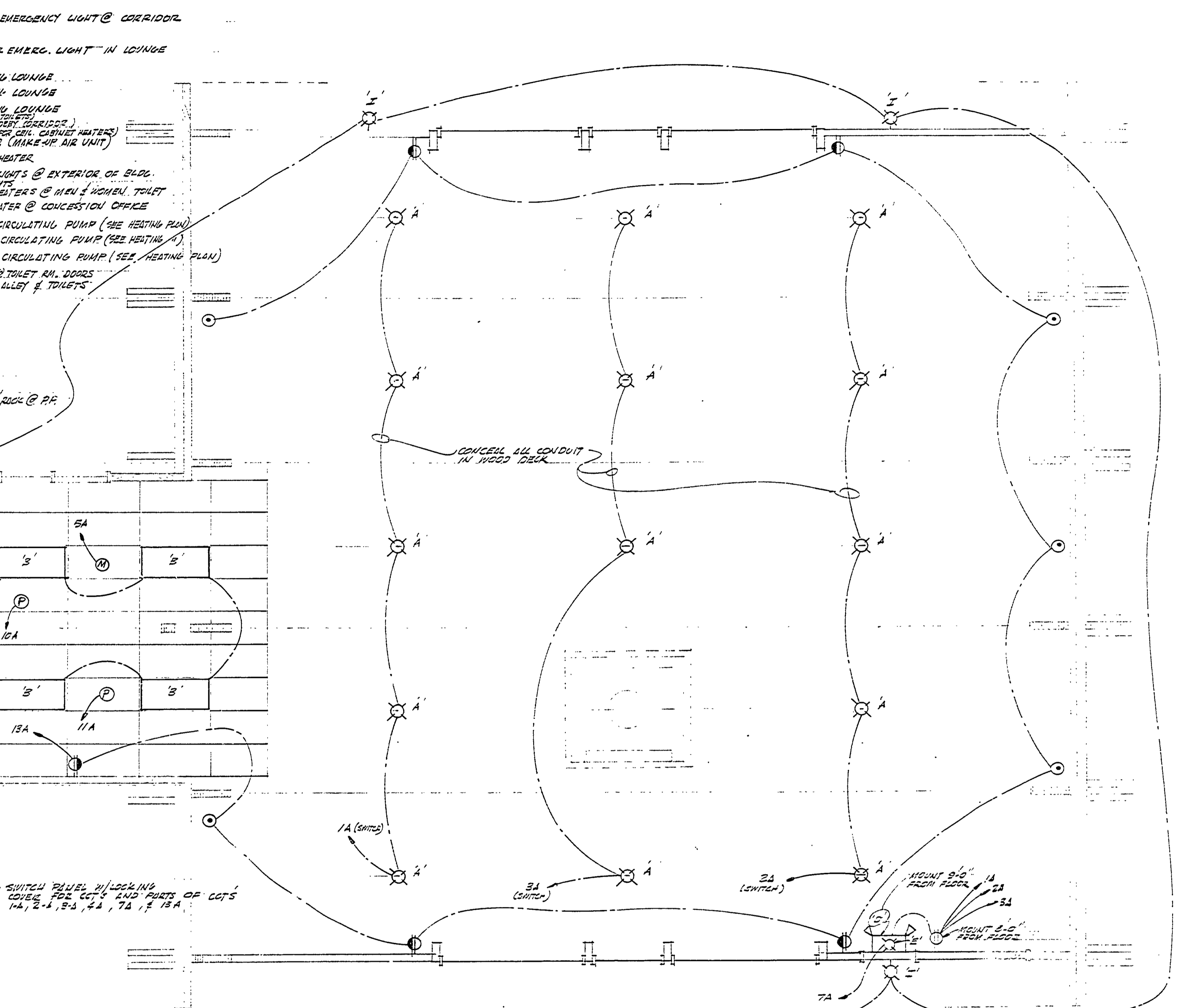
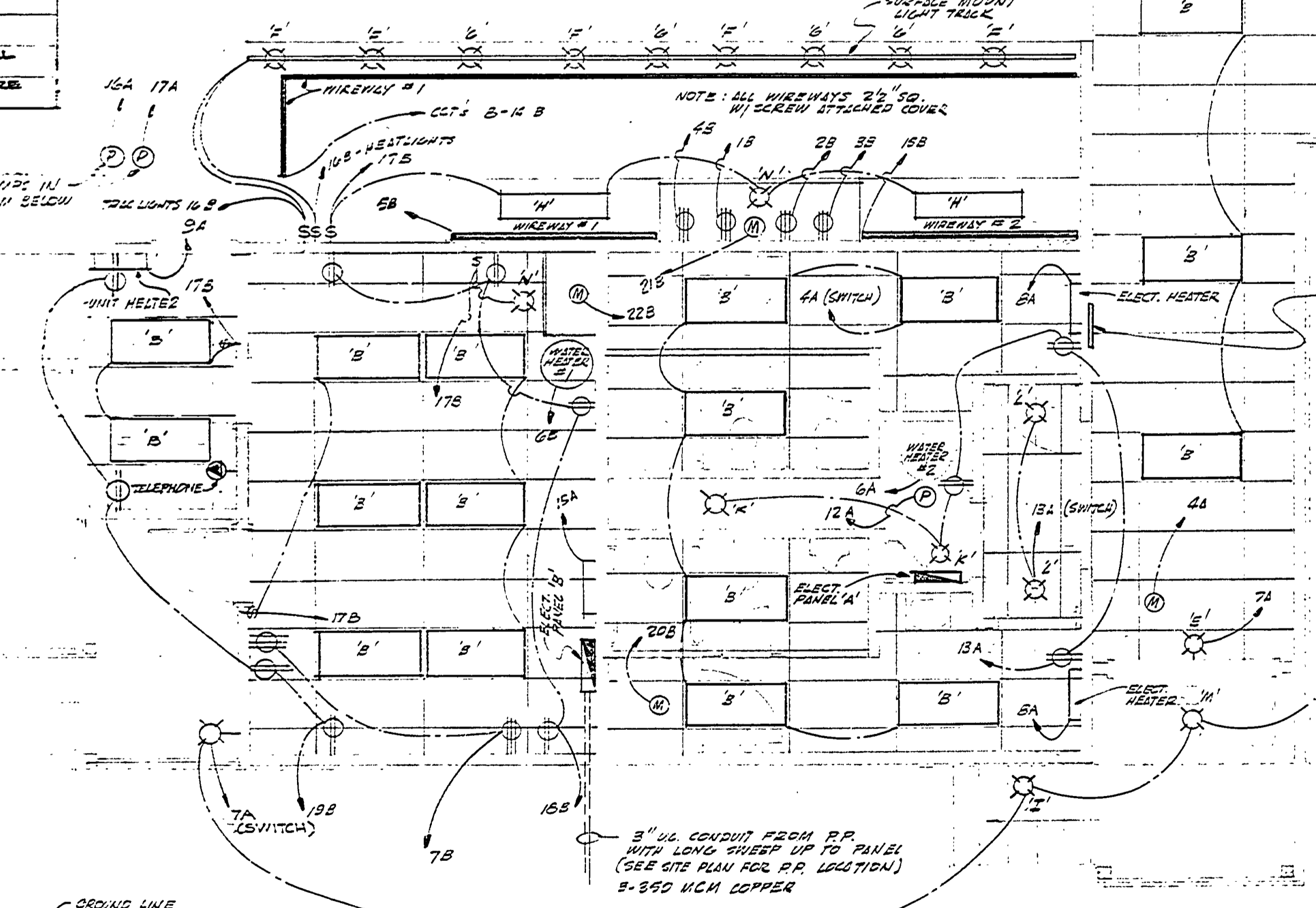
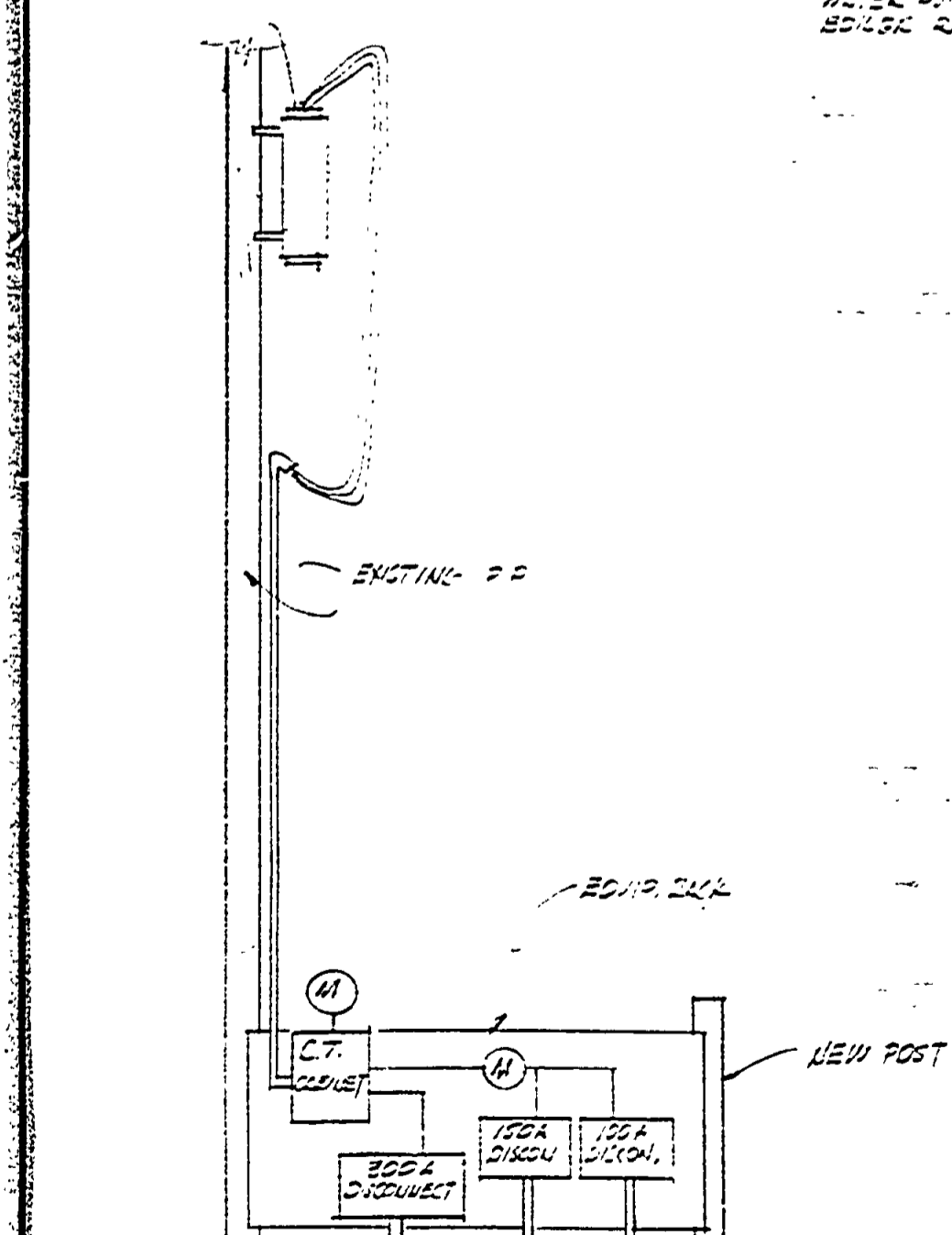


NOTES:
 1) PANELS SHOWN ARE FOR DIAGRAMATIC PURPOSES - IT SHALL BE CONTRACTORS RESPONSIBILITY TO BALANCE CIRCUIT LOADS ON PANEL BOARDS
 2) PANELS TO BE FULLY BUSED
 3) EXHAUST FAN IN CONCESSION & STORAGE TO BE INTERLOCKED W/ MAKE-UP AIR FAN. CONTROLS TO BE LOCATED IN CONCESSION STORAGE AREA

| ELECTRICAL LEGEND | |
|-------------------------------|------------------------------|
| SYMBOL | DESCRIPTION |
| (Circle with dot) | CONV. OUTLET |
| (Circle with cross) | 230 V. OUTLET (SPEC. RECEPT) |
| (Circle with horizontal line) | CONV. OUTLET SPLIT WIRING |
| (Circle with vertical line) | CONV. OUTLET P.R. MTD. |
| (Circle with triangle) | INCANDESCENT LIGHT FIXTURES |
| (Circle with square) | FLUORESCENT LIGHT FIXTURES |
| (Circle with circle) | MOTORS (FANS & PUMPS) |
| (Square with circle) | LOAD CENTER |
| (Square with cross) | POLE BREAKER PANEL |
| (Square with horizontal line) | EMERGENCY LIGHTING UNIT |
| (Square with vertical line) | ELECTRICAL SWITCH |
| (Square with triangle) | ELECT. PANEL C.C.T. NO. |
| (Square with circle) | LIGHT FIXTURE IDENT. NO. |

1/2" Ø SERVICE 3-250 MCM COPPER IN 2" Ø CONDUIT UP TO METER & RACK @ RR LONG SWEEP UP TO PANEL

1/2" Ø SERVICE 3-1/2 COPPER IN 2" Ø CONDUIT UP TO METER & RACK @ RR LONG SWEEP UP TO PANEL



| FIXTURE SCHEDULE | | | | | | |
|------------------|--------------|----------------------|------|-------------|------|--|
| SYMBOL | MANUFACTURER | DESCRIPTION | REQ. | MODEL NO. | LAMP | REMARKS |
| 'A' | PRISCOLITE | PENDANT SPHERE | 12 | 94007 | | ACRYLIC SPHERE TO BE USED W/ CORD MOUNTED 550 SERIES PENDANT (SEE PLAN FOR HEIGHT & SPACING) |
| 'B' | SOLUX | RECESSED FLUOR. | 32 | PG 204R 441 | | |
| 'D' | EYIDE | EMERGENCY LIGHT UNIT | 2 | 255 | | |
| 'E' | MARKSTONE | SURE MNT. EXIT LIGHT | 3 | 1222 | | |
| 'F' | PRISCOLITE | TRAC-LIGHT | 5 | 5542D | | MATTE WHITE W/ BLACK LOUVER |
| 'G' | | FOOD WARMING FIXTURE | 2 | | | TO BE CORD MOUNTED TO PRISCOLITE PENDANT W/ LAMP # 9500C (WEIGHT NOT TO EXCEED 10 LBS.) |
| 'H' | SOLUX | PENDANT MNT. FLUOR. | 2 | F41 MCD-241 | | BOTTOM OF FIXTURE 6'-8" FROM FLOOR |
| 'I' | MARKSTONE | PLASTIC W/ SPHERE | 2 | 1143 | | MOUNT 3'-0" FROM FLOOR |
| 'J' | MARKSTONE | PLASTIC W/ SPHERE | 1 | 772 | | MOUNT 2" FROM CEIL. LINE |
| 'K' | | FORCEMAIN FIXTURE | 2 | | | MOUNT ON J.B. W/ PULL CHAIN |
| 'L' | SOLUX | RECESSED INCLD. DUAL | 2 | P 5942 | | |
| 'M' | SOLUX | " " " | 1 | AC 602 | | |
| 'N' | | INTRACL. HOOD LIGHT | | | | TO BE PROVIDED BY EXHAUST HOOD MANUF. |

CONTRACTOR'S RESPONSIBILITY TO PROVIDE ALL FIXTURES SHOWN ON PLAN